

## **Asprofil**<sup>®</sup>

Expansion Joint Systems

- Floor Profiles
- Wall-Ceiling Profiles
- Seismic Profiles
- Industrial & Parking Areas Profiles
- Watertight Profiles
- Fire Rated Profiles
- Compression Seals
- Covers





**AS A119 CURVED APPLICATION AT 950 MM. JOINT WIDTH**



**1962** The founder of company Mr. Ural graduated from Istanbul Technical University (İTÜ) as a civil engineer.

**1966 - 1981** He founded his own company and began to make contracting works in Türkiye.

**1981 - 1985** He established a joint venture and began to make contracting works in Saudi Arabia.

**1985** He came back to Türkiye and founded Asteknik Muhendislik. In the beginning Asteknik was importing and selling specific construction materials.

**1991** Asteknik began to manufacture Expansion Joint Profiles under the brand "Asprofil" and became the first EJ profile manufacturer in Türkiye.

**1995** Asteknik began to manufacture Finishing Profiles under "Asdekor" brand.

**1999** Began to export its products.

**2005** Production of Wall Protection Systems started.

**2009** Stepped into the production of Entrance Matting Systems.

Today with its corporate structure and dedicated, skilled & experienced team, Asteknik is manufacturing;

\* Expansion Joint Systems (Asprofil)

\* Finishing Profiles (Asdekor)

\* Wall Protection Systems (Asband)

\* Entrance Matting Systems (Asmat)

and prides itself on being the first expansion joint profile manufacturer in Türkiye and market leader with a big share.

Asteknik's products are manufactured in one of the biggest aluminum extrusion plants in Europe in accordance with international standards.

As a natural consequence of long-term & reliable relations with foreign business partners, Asteknik products are exported to more than 70 countries and preferred in many prestigious projects in Europe, CIS countries, Africa, Gulf & Middle East regions.



**RESIDENCES & OFFICES**



Istanbul Finance Center  
Istanbul / Türkiye



Emaar Il Primo Downtown Dubai  
Dubai / U.A.E.



Qetaifan Island North  
Doha / Qatar



Ormanköy  
Istanbul / Türkiye



Abraj Quartier Gateway Towers  
Doha / Qatar



Damac Towers by Paramount  
Dubai / U.A.E



Emaar Square  
Istanbul / Türkiye



Jaber Al Ahmad New City  
Kuwait / Kuwait

**HOTELS**



Katara Towers  
Doha / Qatar



Voyage Bodrum  
Bodrum / Türkiye



Armani Hotel Dubai  
Dubai / U.A.E.



Ritz Carlton Al Bustan Palace  
Muscat / Oman



Sheraton Doha  
Doha / Qatar



St. Regis Amman  
Amman / Jordan



Hyatt Regency Dushanbe  
Dushanbe / Tajikistan



St. Regis Astana  
Astana / Kazakhstan

**SHOPPING MALLS**



Diamond of Skopje  
Skopje / Macedonia



İstinye Park  
Izmir / Türkiye



Mall of Emirates  
Dubai / U.A.E.



The Avenues Mall  
Kuwait / Kuwait



Mall of Arabia  
Cairo / Egypt



Doha Festival City  
Doha / Qatar



Ozas Shopping Center  
Vilnius / Lithuania



Al - Othaim Mall  
Dammam / Saudi Arabia



**TRANSPORT FACILITIES**



Kuwait International Airport Terminal 2  
Kuwait / Kuwait



Galataport  
İstanbul / Türkiye



Dubai Airport Free Zone  
Dubai / U.A.E.



Muscat International Airport  
Muscat / Oman



Istanbul Airport  
İstanbul / Türkiye



Cairo International Airport  
Cairo / Egypt



New Doha International Airport  
Doha / Qatar



Haramain High Speed Railway Project  
Mecca & Medina Stations / Saudi Arabia

**OTHER FACILITIES**



TOGG Factory  
Bursa / Türkiye



The View Hospital  
Doha / Qatar



Kocaeli City Hospital  
Kocaeli / Türkiye



Shaktar Donetsk Donbass Arena  
Donetsk / Ukraine



Oman Convention & Exhibition Center  
Muscat / Oman



Okmeydanı City Hospital  
İstanbul / Türkiye



Al Mafraq Hospital  
Abu Dhabi / U. A. E.



Al Habtoor Polo Resort & Club  
Dubai / U.A.E.



İzmir City Hospital  
İzmir / Türkiye



Royal Opera House  
Muscat / Oman



Nazarbayev University  
Astana / Kazakhstan



Baku Convention Center  
Baku / Azerbaijan



Al Maktoum Hospital  
Dubai / U.A.E



Khalifa University  
Abu Dhabi / U. A. E.



Meydan Racecourse  
Dubai / U.A.E.



Qatar National Convention Center  
Doha / Qatar



## Design

Unless otherwise stated, all products will be in strict compliance with Asteknik's literature. However, before an order is placed, Asteknik keeps the right of modifying the composition and/or the model of the standard products without a prior notice.

## Custom Production

Asteknik, with over 35 years of experience, has always been a solution partner in specific projects. Custom products can be designed and manufactured as per projects' requirements.

## Sales Conditions

All sales are subject to Asteknik's "Sales Conditions".

## Overseas Sales

In contractual countries sales are realized through the exclusive distributors. In non-contractual countries sales are made through the Head Office.

## Warranty

Asteknik's own manufactured products are guaranteed to be free from defects in material and/or workmanship and standard warranty conditions are applied.

## Packing & Delivery

All products are delivered in standard packing. For specific packing inquiries, Asteknik must be informed before the order is placed.

## Handling & Storage

For sustainable product quality, handling and storage of delivered products must be done according to Asteknik's "Handling & Storage Instructions".

## Installation

To ensure full functionality of the profiles, installation works must be performed by a skilled team according to Asteknik's "Installation Instructions".

## Cleaning & Maintenance

Cleaning & maintenance of delivered / installed profiles must be done according to Asteknik's "Cleaning & Maintenance Instructions".

**For any further assistance, please contact your Sales Representative**



**ALUMINUM ALLOY**

<b>Billet</b>	EN AW 6063
<b>Standard</b>	EN 573-3
<b>Colour</b>	Natural
<b>Melting temperature</b>	660° C
<b>Boiling temperature</b>	2300° C
<b>Rupture strength</b>	16,5 Kg /mm <sup>2</sup>
<b>Tensile strength</b>	19,0 Kg /mm <sup>2</sup>
<b>Elongation (5) (50 mm)</b>	8,0 Kg /mm <sup>2</sup>
<b>Hardness (HB)</b>	70
<b>Density</b>	2,71 g/cm <sup>3</sup>
<b>Shearing strength</b>	14 Kg /mm <sup>2</sup>
<b>Elasticity modulus</b>	69 Gpa
<b>Heat conductivity</b>	0,44 cal/cm.S.°C
<b>Dilatation coefficient</b>	0,000024 (20°-100°C)
<b>Electrical resistance</b>	0,038 Ω.mm <sup>2</sup> /m
<b>Weldability</b>	Good
<b>Corrosion resistance</b>	Good
<b>Anodisability</b>	Good
<b>Anodising thickness</b>	10 - 12 µ
<b>Lifetime</b>	50 years
<b>Chemical composition</b>	Aluminum = % 97,30 - 98,15
	Mg = % 0,45 - 0,90
	Si = % 0,20 - 0,60
	Fe = % 0,35
	Mn = % 0,10
	Cu = % 0,10
	Cr = % 0,10
	Ti = % 0,10
	Others = % 0,15

**GASKET PROPERTIES**

	<b>EPDM</b>	<b>SBR</b>	<b>TPE</b>
<b>Hardness range (Shore A)</b>	75	60-70	75
<b>Colours</b>	Black	Black	Limited range
<b>Max continuous temp.</b>	130°C	85°C	120°C
<b>Max intermittent temp.</b>	150°C	115°C	140°C
<b>Low temperature</b>	-50°C	-55°C	-40°C
<b>Tensile strength at break</b>	14,3 MPA	> 9 MPA	7,65 MPA
<b>Elongation at break</b>	% 560	> % 300	% 620
<b>Tear resistance N/mm</b>	29	Min. 20	27
<b>Density</b>	1,3 g/cm <sup>3</sup>	1,19 g/cm <sup>3</sup>	1,23 g/cm <sup>3</sup>
<b>Ozone resistance</b>	Excellent	Poor	Excellent
<b>UV resistance</b>	Excellent	Poor	Excellent
<b>ASTM Oil 1 at 20°C</b>	Fair	Poor	Excellent
<b>ASTM Oil 1 at 100°C</b>	Unsatisfactory	Unsatisfactory	Excellent
<b>ASTM Oil 3 at 20°C</b>	Unsatisfactory	Unsatisfactory	Excellent
<b>ASTM Oil 3 at 100°C</b>	Unsatisfactory	Unsatisfactory	Good
<b>Alcohol</b>	Good	Good	Good
<b>Acetone</b>	Good	Fair	Good
<b>Benzene</b>	Unsatisfactory	Unsatisfactory	Good
<b>Acids</b>	Good	Fair	Good
<b>Alcalis</b>	Good	Good	Good
<b>Compression set</b>	Excellent	Good	Good
<b>Resilience</b>	Very good	Good	Good
<b>Gas permeability</b>	Fairly low	Fairly low	Low
<b>Electrical strength</b>	Excellent	Excellent	Good
<b>Flame resistance</b>	Poor	Poor	Fair
<b>Water Swell Resistance</b>	Excellent	Good	Good



## How to select the right expansion joint profile?

Selecting the right profile is the most important point and may cause lots of problems if not done properly. As each project is specific, in addition to structural characteristics, project budget, design criteria and type of facility, technical properties of the profiles must be defined correctly. Clarifying the topics listed below will lead you to the right profile.

### 1- NOMINAL JOINT WIDTH - GAP ( Fb )

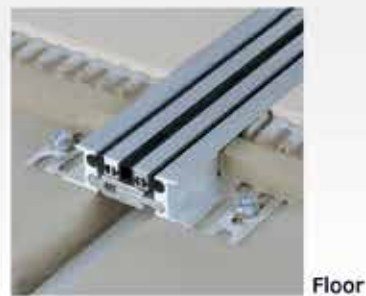
The gap between 2 building blocks must definitely be known.



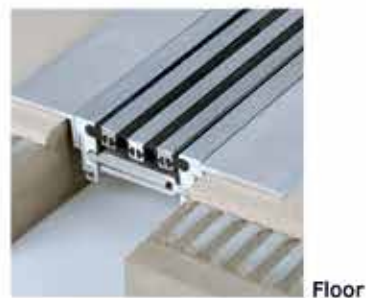
### 2- APPLICATION METHOD & LOCATION

It should be known whether the profile will be applied surface or flush mounted. Flush mounted type should be preferred if the surface coating hasn't been done while the surface mounted type must be used for the completed coating.

#### Flush Mounted Application



#### Surface Mounted Application



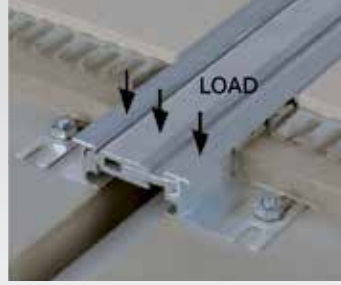
As some profiles may be improper for outdoor application, location of use must be defined.

### 3 – COATING THICKNESS ( H )



For flush mounted applications, to define the profile height, coating thickness must be known.

**4 – LOAD BEARING CAPACITY**



For floor profiles, the load passing over (pedestrian, car, truck, forklift etc.) must be known. For trucks and forklifts, their maximum payload shall be defined. The type of wheel (pneumatic, polyamide etc.) is an important detail for forklifts and reach trucks.

**5 – MOVEMENT ABILITY**

Horizontal and vertical movement abilities needed between 2 building blocks must be specified by the structural engineer depending on the height, type, load and ground of the building. If any, inquired lateral shear movement ability must be informed.

**6 – ADDITIONAL FACTORS**

At the places with water leakage risk, watertight profiles or waterproof membrane shall be used.

In the zones with high earthquake risk, seismic profiles shall be preferred.

To ensure fire resistance, profiles shall be applied with Asteknik's fire barrier systems.

If the profile will be exposed to any chemical attack, before placing an order type of the chemical shall be specified to choose the right type of profile & gasket.

**PICTOGRAMS**

**Load Capacity**

Load capacities are calculated considering the private vehicle speed is maximum 20 km/h and the other vehicles' speed is maximum 10 km/h.



For pedestrians



Private vehicles up to 30kN



Pneumatic wheeled forklifts & trucks



Reach trucks & forklifts with polyamide rollers



Cleaning machine up to 10kN

**Movement Directions**



Horizontal movement



Horizontal & lateral shear movements



Horizontal, lateral shear & vertical movements

**Other Features**



ADA Compliant



Fire Rated (with fire barriers)



Waterproof (with waterproof membrane)






Watertight profile






Seismic profile






MODEL	LOCATION	INSTALLATION METHOD	GAP (mm)	LOAD CAPACITY			HEIGHT (mm)	FACE SIDE		PAGE	MATCHING FLOOR/WALL PROFILE
								METAL	GASKET		
<b>WALL &amp; CEILING</b>											
AS U120	Indoor / Outdoor	Surface Mounted	30 up to 200	N/A	N/A	N/A	15	✓	✓	13	
AS U121	Indoor / Outdoor	Surface Mounted	30 up to 200	N/A	N/A	N/A	15	✓	✓	14	
AS U122	Indoor	Surface Mounted	30 up to 150	N/A	N/A	N/A	15	✓	✓	15	AS U222
AS U123	Indoor	Surface Mounted	30 up to 150	N/A	N/A	N/A	22	✓	✓	16	
AS U136	Indoor / Outdoor	Surface Mounted	35 up to 200	N/A	N/A	N/A	15	✓	✓	17	AS U236
AS U143	Indoor	Surface Mounted	30 up to 100	N/A	N/A	N/A	15	✓	✓	18	AS U243
AS U145	Indoor	Surface Mounted	30 up to 100	N/A	N/A	N/A	15	✓	✓	19	AS U245
AS U147	Indoor	Surface Mounted	50 up to 200	N/A	N/A	N/A	52	✓	✓	20	
AS A116	Indoor / Outdoor	Flush Mounted	30 up to 300	N/A	N/A	N/A	17	✓	✓	21	
AS A124	Outdoor	Flush Mounted	30 up to 200	N/A	N/A	N/A	47/57	✓	✓	22	
AS A126	Indoor / Outdoor	Flush Mounted	30 up to 200	N/A	N/A	N/A	15/28	✓	✓	23	AS A226 / AS A288
AS A146	Indoor	Flush Mounted	30 up to 150	N/A	N/A	N/A	15	✓	✓	24	AS A246
AS A161	Indoor	Flush Mounted	100 up to 150	N/A	N/A	N/A	55	✓		25	
<b>FLOOR</b>											
AS U202	Indoor / Outdoor	Surface Mounted	50 up to 200	✓			6	✓		26	
AS U202	Indoor / Outdoor	Surface Mounted	100 up to 250		✓		10	✓		27	
AS U205	Indoor / Outdoor	Surface Mounted	50 up to 100		✓		26/32	✓	✓	28	
AS U222	Indoor / Outdoor	Surface Mounted	30 up to 50	✓			15	✓	✓	29	AS U122
AS U235	Indoor / Outdoor	Surface Mounted	50 up to 130		✓	✓	17	✓		30	
AS U236	Indoor / Outdoor	Surface Mounted	35 up to 200	✓	✓		15/23/24	✓	✓	31	AS U136
AS U236	Indoor / Outdoor	Surface Mounted	35 up to 200	✓	✓	✓	28	✓	✓	32	AS U136
AS U236	Indoor / Outdoor	Surface Mounted	60 up to 200		✓	✓	35	✓	✓	33	AS U136
AS U236	Indoor / Outdoor	Surface Mounted	50 up to 200	✓	✓	✓	43	✓	✓	34	AS U136
AS U237	Indoor / Outdoor	Surface Mounted	55 up to 200	✓	✓	✓	15/28	✓		35	
AS U237	Indoor / Outdoor	Surface Mounted	60 up to 200		✓	✓	35	✓		36	
AS U240	Indoor / Outdoor	Surface Mounted	100 up to 200		✓		28	✓	✓	37	
AS U241	Indoor / Outdoor	Surface Mounted	100 up to 200		✓		28	✓		38	
AS U243	Indoor / Outdoor	Surface Mounted	24 up to 100	✓	✓		15/26/27/30	✓	✓	39	AS U143
AS U245	Indoor / Outdoor	Surface Mounted	30 up to 50	✓			15	✓	✓	40	AS U145
AS U260	Indoor / Outdoor	Surface Mounted	80 up to 150		✓	✓	35/40	✓	✓	41	
AS U264	Indoor / Outdoor	Surface Mounted	100 up to 225		✓	✓	30	✓		42	
AS A204	Indoor / Outdoor	Flush Mounted	100 up to 250	✓	✓		10	✓		43	

Note : Please ask for different sizes

MODEL	LOCATION	INSTALLATION METHOD	GAP (mm)	LOAD CAPACITY			HEIGHT (mm)	FACE SIDE		PAGE	MATCHING FLOOR/WALL PROFILE
								METAL	GASKET		
<b>FLOOR</b>											
AS A208	Indoor / Outdoor	Flush Mounted	50 up to 100		✓		26/32	✓	✓	44	
AS A224	Indoor / Outdoor	Flush Mounted	100 up to 150			✓	35/50/60/65/70	✓		45	
AS A225	Indoor / Outdoor	Flush Mounted	25 up to 100			✓	25/30/38/50/70	✓		46	
AS A226	Indoor / Outdoor	Flush Mounted	30 up to 200	✓	✓		15/23/24/50	✓	✓	47	AS A126
AS A226	Indoor / Outdoor	Flush Mounted	40 up to 200	✓	✓		28	✓	✓	48	AS A126
AS A226	Indoor / Outdoor	Flush Mounted	35 up to 200	✓	✓	✓	43/88	✓	✓	49	AS A126
AS A226T	Indoor / Outdoor	Flush Mounted	30 up to 200		✓	✓	35/43/60	✓	✓	50	AS A126
AS A227	Indoor / Outdoor	Flush Mounted	30 up to 200	✓			12/15	✓		51	
AS A227	Indoor / Outdoor	Flush Mounted	40 up to 200	✓	✓		28	✓		52	
AS A227T	Indoor / Outdoor	Flush Mounted	50 up to 200		✓	✓	35/43/60	✓		53	
AS A233	Indoor / Outdoor	Flush Mounted	40 up to 50			✓	50	✓	✓	54	
AS A238	Indoor / Outdoor	Flush Mounted	100 up to 120			✓	22	✓	✓	55	
AS A246	Indoor / Outdoor	Flush Mounted	20 up to 100	✓	✓	✓	15/26/30/35/45/50/80	✓	✓	56	AS A146
AS A246	Indoor / Outdoor	Flush Mounted	65 up to 150	✓	✓		15/30/45/80	✓	✓	57	AS A146
AS A261	Indoor / Outdoor	Flush Mounted	80 up to 100			✓	60	✓	✓	58	
AS A263	Indoor / Outdoor	Flush Mounted	80 up to 200		✓	✓	50/85	✓		59	
AS A286	Indoor / Outdoor	Flush Mounted	50			✓	85/100	✓	✓	60	
AS A288	Indoor / Outdoor	Flush Mounted	100 up to 260	✓	✓		35/80	✓	✓	61	AS A126
<b>SEISMIC</b>											
AS U160	Indoor / Outdoor	Surface Mounted	50 up to 200	N/A	N/A	N/A	5	✓		62	
AS U181	Indoor / Outdoor	Surface Mounted	50 up to 300	N/A	N/A	N/A	35	✓		63	AS U281
AS A119	Indoor / Outdoor	Flush Mounted	200 up to 600	N/A	N/A	N/A	50	✓	✓	64	
AS A150	Indoor / Outdoor	Flush Mounted	75 up to 400	N/A	N/A	N/A	26	✓		65	AS A250
AS A153	Indoor / Outdoor	Flush Mounted	60 up to 200	N/A	N/A	N/A	25	✓		66	AS A253
AS A154	Indoor / Outdoor	Surface / Flush Mounted	30 up to 300	N/A	N/A	N/A	16	✓		67	
AS A155	Indoor / Outdoor	Surface / Flush Mounted	50 up to 400	N/A	N/A	N/A	16	✓		68	AS A255
AS A156	Indoor / Outdoor	Flush Mounted	80 up to 400	N/A	N/A	N/A	26	✓	✓	69	AS A256
AS A159	Indoor	Flush Mounted	100	N/A	N/A	N/A	16	✓	✓	70	AS A259
AS U281	Indoor / Outdoor	Surface Mounted	50 up to 250		✓		35	✓		71	AS U181
AS A239	Indoor / Outdoor	Flush Mounted	75 up to 250	✓			50	✓		72	
AS A250	Indoor / Outdoor	Flush Mounted	75 up to 400	✓			45/89	✓		73	AS A150
AS A253	Indoor / Outdoor	Flush Mounted	60 up to 200	✓	✓		35	✓		74	AS A153
AS A255	Indoor / Outdoor	Flush Mounted	50 up to 100		✓		30	✓		75	AS A155

Note : Please ask for different sizes



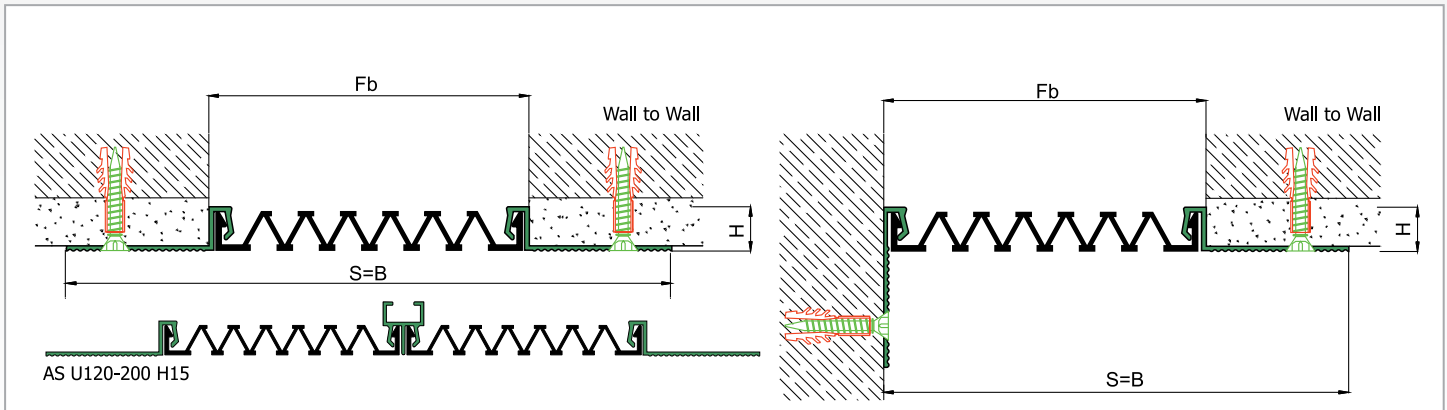
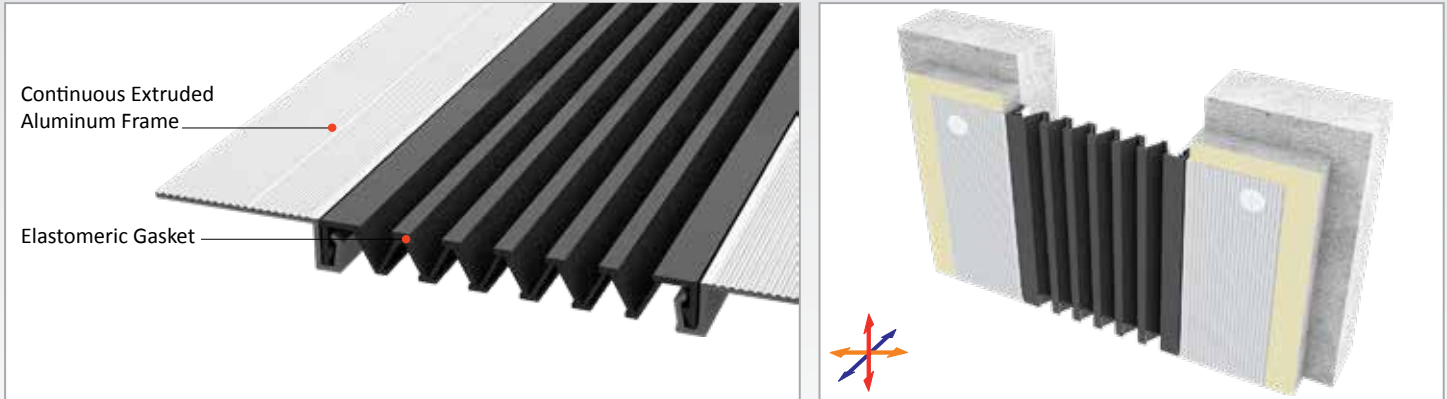
MODEL	LOCATION	INSTALLATION METHOD	GAP (mm)	LOAD CAPACITY			HEIGHT (mm)	FACE SIDE		PAGE	MATCHING FLOOR/WALL PROFILE
								METAL	GASKET		
<b>SEISMIC</b>											
AS A256	Indoor / Outdoor	Flush Mounted	80 up to 400	✓			45/70	✓	✓	76	AS A156
AS A257	Indoor / Outdoor	Flush Mounted	50 up to 250	✓	✓		28/48	✓		77	
AS A258	Indoor / Outdoor	Flush Mounted	50 up to 400	✓			68	✓		78	
AS A259	Indoor / Outdoor	Flush Mounted	100	✓			16	✓	✓	79	AS A159
AS A265	Indoor / Outdoor	Flush Mounted	50 up to 250		✓		35/43/60	✓		80	
AS A266	Indoor / Outdoor	Flush Mounted	100 to 300	✓			65	✓		81	
AS A269	Indoor / Outdoor	Flush Mounted	300 to 500		✓		50	✓		82	
<b>INDUSTRIAL &amp; PARKING AREAS</b>											
AS U271	Indoor / Outdoor	Surface Mounted	50 up to 250		✓	✓	8/9/10/14/ 15/20/21/25/26		✓	83	
AS U274	Indoor / Outdoor	Surface Mounted	80 up to 200		✓	✓	25/35	✓	✓	84	
AS U275	Indoor / Outdoor	Surface Mounted	50 up to 100			✓	35		✓	85	
AS A270	Indoor / Outdoor	Flush Mounted	50 up to 200			✓	20/22/24/26/28/30	✓		86	
<b>WATERTIGHT FLOOR</b>											
AS U294	Indoor / Outdoor	Surface Mounted	25 up to 100		✓	✓	11	✓	✓	87	
AS A290	Indoor / Outdoor	Flush Mounted	50 up to 200			✓	20/45/60/70	✓	✓	88-90	
AS A291	Outdoor	Flush Mounted	25 up to 100	✓			30		✓	91	
AS A293	Indoor / Outdoor	Flush Mounted	25 up to 100		✓	✓	17/19		✓	92	
AS A295	Indoor / Outdoor	Flush Mounted	150			✓	70	✓		93	
<b>COMPRESSION SEALS</b>											
AS U141	Indoor / Outdoor	Surface Mounted	10 up to 30	N/A	N/A	N/A	30/44		✓	94	
AS U142	Indoor / Outdoor	Surface Mounted	10 up to 160	N/A	N/A	N/A	16/20/30/45/54/60		✓	95	AS U242
AS U242	Indoor / Outdoor	Surface Mounted	25 up to 115		✓		35/37/56/70/87/90/100		✓	96	AS U142
<b>COVERS</b>											
Wall Covers AD	Indoor / Outdoor	Surface Mounted	15 up to 200	N/A	N/A	N/A		✓		97	
Floor Covers AZ	Indoor / Outdoor	Surface Mounted	15 up to 200	✓	✓	✓		✓		98	
Corner Covers AK	Indoor / Outdoor	Surface Mounted	15 up to 150	N/A	N/A	N/A	40/50/60/70	✓		99	
Roof Covers AS UHP	Outdoor	Surface Mounted	50 up to 200	N/A	N/A	N/A	109	✓		100	
Roof Covers AS SHP	Outdoor	Surface Mounted	50 up to 250	N/A	N/A	N/A	27	✓		101	
Roof Covers AS UPP	Outdoor	Surface Mounted		N/A	N/A	N/A	80	✓		102	

Note: Please ask for different sizes



AS U120 surface mounted profile can easily be installed by means of screws to all types of wall & ceiling. Ribbed elastomeric gasket gains the profile a remarkable movement ability and compensates level differences on both sides of the wall. Slide-in gasket system lets the profile to be used at exterior applications as well as interior areas. Profiles up to 150 mm gap are applied with single gasket while the wider ones are with double gaskets joined with a connector profile.

- Application Areas** : Indoor & Outdoor / Wall & Ceiling
- Ideal for** : Shopping Malls, Airports, Residences, Hospitals, Hotels, Commercial & Public Buildings etc.
- Material** : Mill Finish Aluminum (Anodizing optional), EPDM (Only in Black Color) or TPE Gasket
- Aluminum Alloy** : EN AW 6063
- Optional Supplies** : Fire Barrier, Waterproof EPDM membrane



\* Visuals are representative and the profile configuration may differ depending on the characteristics requested.



LOCATION	MODEL	GAP (Fb) mm	HEIGHT (H) MM	OVERALL WIDTH (B) mm	VISIBLE WIDTH (S) mm	MOVEMENT (W) mm	LOAD CAPACITY	STANDARD LENGTH (mt)
Wall to Wall	AS U120-030	30	15	119	119	+10 / -6	N/A	3
	AS U120-050	50	15	139	139	+20 / -15	N/A	3
	AS U120-080	80	15	169	169	+40 / -30	N/A	3
	AS U120-100	100	15	189	189	+20 / -50	N/A	3
	AS U120-120	120	15	209	209	+60 / -50	N/A	3
	AS U120-150	150	15	239	239	+30 / -80	N/A	3
	AS U120-200	200	15	289	289	+40 / -100	N/A	3
	AS U120-200M	200	15	289	289	+40 / -100	N/A	3

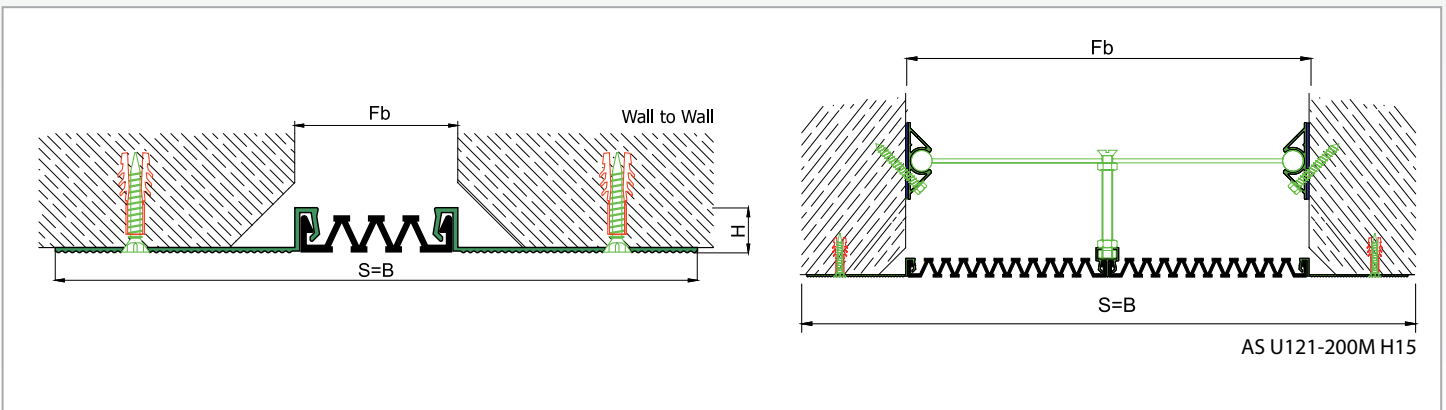
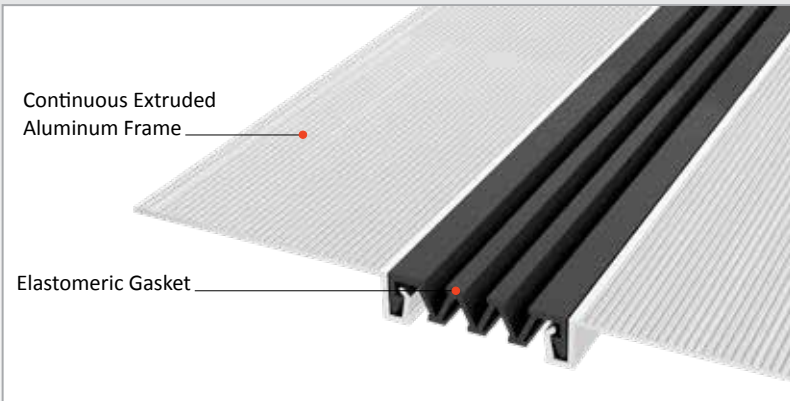
Note: Please ask for different sizes





AS U121 surface mounted profile can easily be installed by means of screws to all types of wall & ceiling. Owing to wide frame, it's especially recommended for applications at damaged or chamfered walls. Ribbed elastomeric gasket gains the profile a remarkable movement ability and compensates level differences on both sides of the wall. Slide-in gasket system lets the profile to be used at exterior applications as well as interior areas. Profiles up to 150 mm gap are applied with single gasket while the wider ones are with double gaskets joined with a connector profile.

- Application Areas** : Indoor & Outdoor / Wall & Ceiling
- Ideal for** : Shopping Malls, Airports, Residences, Hospitals, Hotels, Commercial & Public Buildings etc.
- Material** : Mill Finish Aluminum (Anodizing optional), EPDM (Only in Black Color) or TPE Gasket
- Aluminum Alloy** : EN AW 6063
- Optional Supplies** : Fire Barrier, Waterproof EPDM membrane



\* Visuals are representative and the profile configuration may differ depending on the characteristics requested.

GASKET COLORS    **BLACK**    GREY    BEIGE    Custom Colors available.

LOCATION	MODEL	GAP (Fb) mm	HEIGHT (H) MM	OVERALL WIDTH (B) mm	VISIBLE WIDTH (S) mm	MOVEMENT (W) mm	LOAD CAPACITY	STANDARD LENGTH (mt)
Wall to Wall	AS U121-030	30	15	177	177	+10 / -6	N/A	3
	AS U121-050	50	15	197	197	+20 / -15	N/A	3
	AS U121-080	80	15	227	227	+40 / -30	N/A	3
	AS U121-100	100	15	247	247	+20 / -50	N/A	3
	AS U121-120	120	15	267	267	+60 / -50	N/A	3
	AS U121-150	150	15	297	297	+30 / -80	N/A	3
	AS U121-200	200	15	347	347	+40 / -100	N/A	3
	AS U121-200M	200	15	347	347	+40 / -100	N/A	3

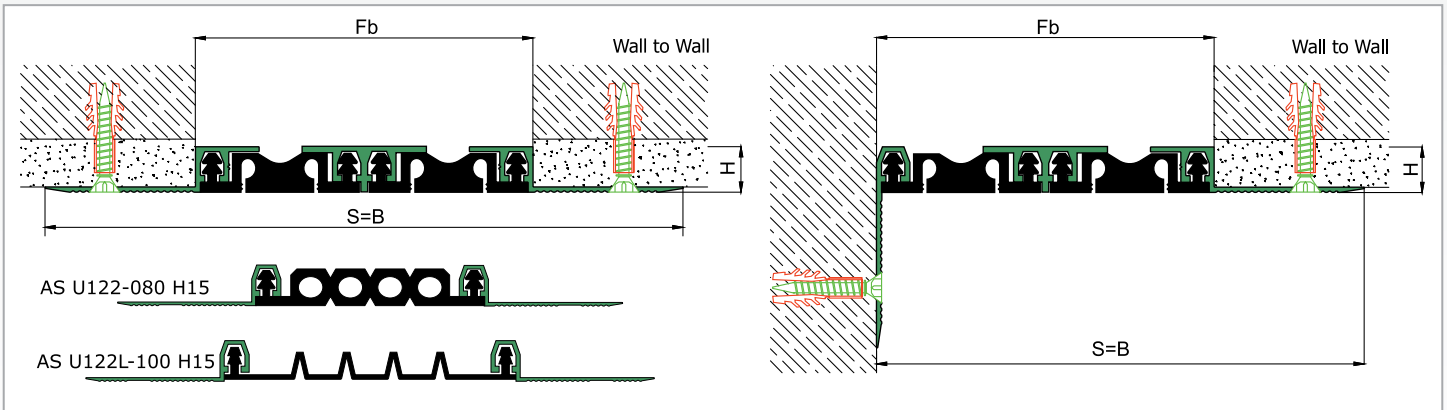
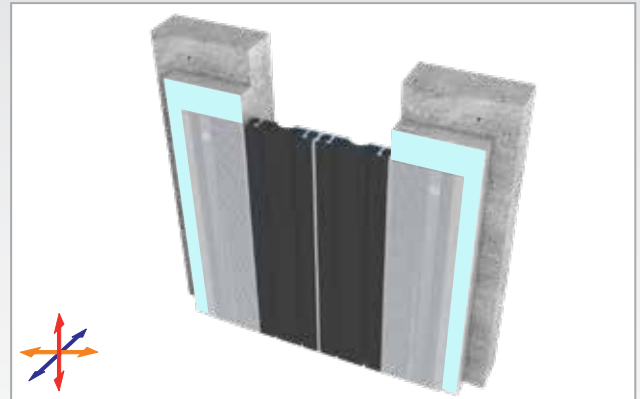
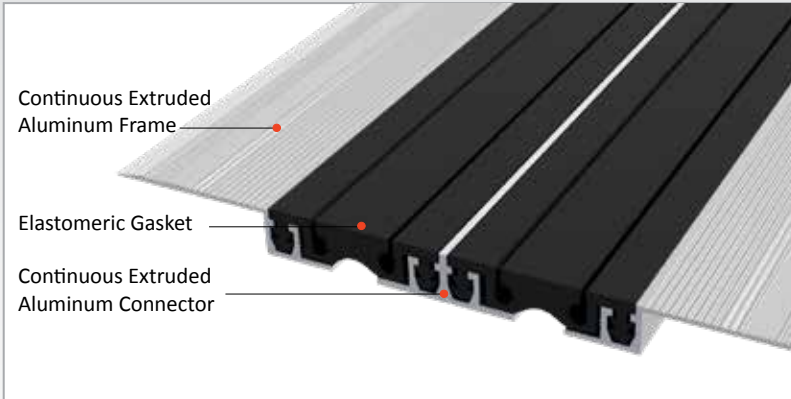
Note: Please ask for different sizes





AS U122 surface mounted profile can easily be installed by means of screws to all types of wall & ceiling. Push-down elastomeric gasket can be changed without demounting the profile. Profiles up to 80 mm gap are manufactured with single gasket while the wider ones are with double gaskets joined with a connector profile. For some gaps, profile is able to be applied with floor type AS U222 and this dual application brings in a decorative aspect.

- Application Areas** : Indoor / Wall & Ceiling
- Ideal for** : Shopping Malls, Residences, Hospitals, Hotels, Commercial & Public Buildings etc.
- Material** : Mill Finish Aluminum (Anodizing optional), EPDM (Only in Black Color) or TPE Gasket
- Aluminum Alloy** : EN AW 6063
- Optional Supplies** : Fire Barrier, Waterproof EPDM membrane



\* Visuals are representative and the profile configuration may differ depending on the characteristics requested.

GASKET COLORS: BLACK GREY BEIGE Custom Colors available.

LOCATION	MODEL	GAP (Fb) mm	HEIGHT (H) MM	OVERALL WIDTH (B) mm	VISIBLE WIDTH (S) mm	MOVEMENT (W) mm	LOAD CAPACITY	STANDARD LENGTH (mt)
Wall to Wall	AS U122-030	30	15	119	119	± 5	N/A	3
	AS U122-050	50	15	139	139	± 7	N/A	3
	AS U122-080	80	15	169	169	± 10	N/A	3
	AS U122-100	100	15	189	189	± 14	N/A	3
	AS U122-150	150	15	239	239	± 20	N/A	3
	AS U122L-050	50	15	139	139	+16 / -8	N/A	3
	AS U122L-080	80	15	169	169	± 20	N/A	3
	AS U122L-100	100	15	189	189	+30 / -20	N/A	3

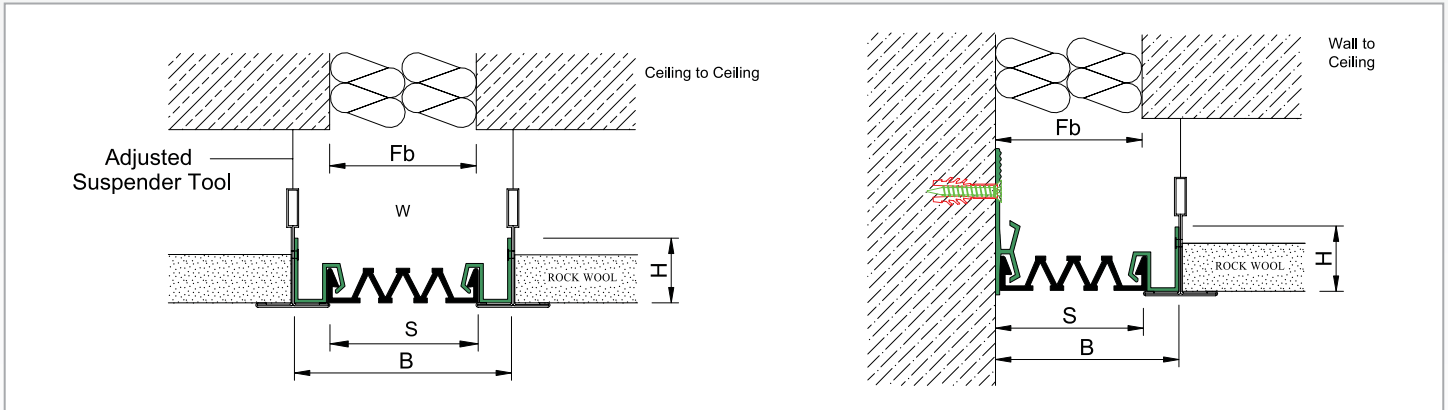
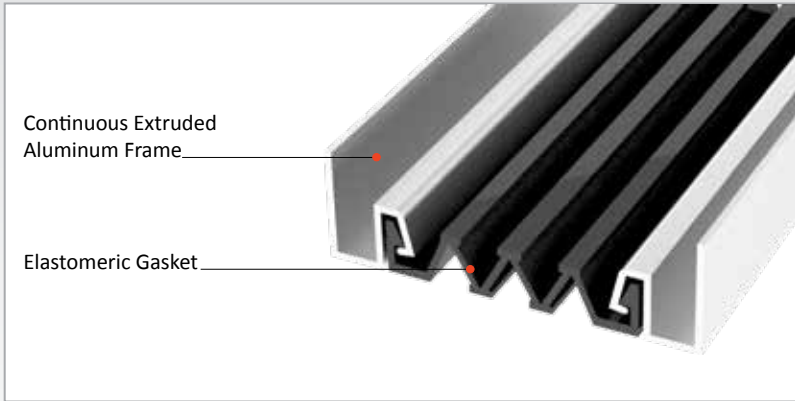
Note: Please ask for different sizes





AS U123 surface mounted profile is designed for modular suspended ceiling applications at indoor areas. Profile frame is placed on the suspended ceiling T-profile and can easily be installed there by means of screws. Ribbed elastomeric gasket gains the profile high movement ability. For wall applications, it can be aligned with AS A116, AS U120 or AS U121 models.

- Application Areas** : Indoor / Modular Suspended Ceilings
- Ideal for** : Shopping Malls, Residences, Hospitals, Hotels, Commercial & Public Buildings etc.
- Material** : Mill Finish Aluminum (Anodizing optional), EPDM (Only in Black Color) or TPE Gasket
- Aluminum Alloy** : EN AW 6063
- Optional Supplies** : Fire Barrier



\* Visuals are representative and the profile configuration may differ depending on the characteristics requested.

GASKET COLORS    **BLACK**    GREY    BEIGE    Custom Colors available.

LOCATION	MODEL	GAP (Fb) mm	HEIGHT (H) MM	OVERALL WIDTH (B) mm	VISIBLE WIDTH (S) mm	MOVEMENT (W) mm	LOAD CAPACITY	STANDARD LENGTH (mt)
Ceiling to Ceiling	AS U123-030	30	22	54	30	+10 / -6	N/A	3
	AS U123-050	50	22	74	50	+20 / -15	N/A	3
	AS U123-080	80	22	104	80	+40 / -30	N/A	3
	AS U123-100	100	22	124	100	+20 / -50	N/A	3
	AS U123-150	150	22	174	150	+30 / -80	N/A	3

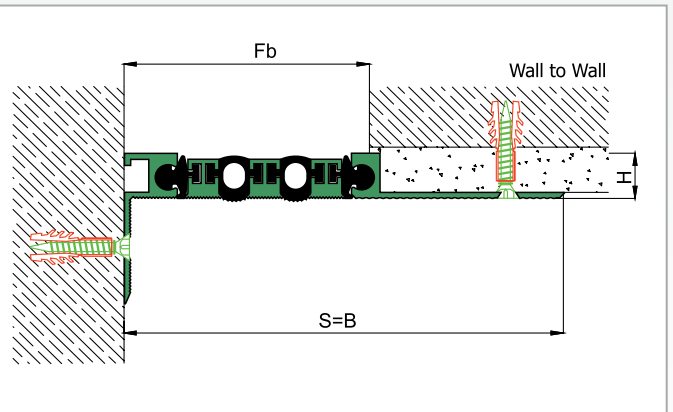
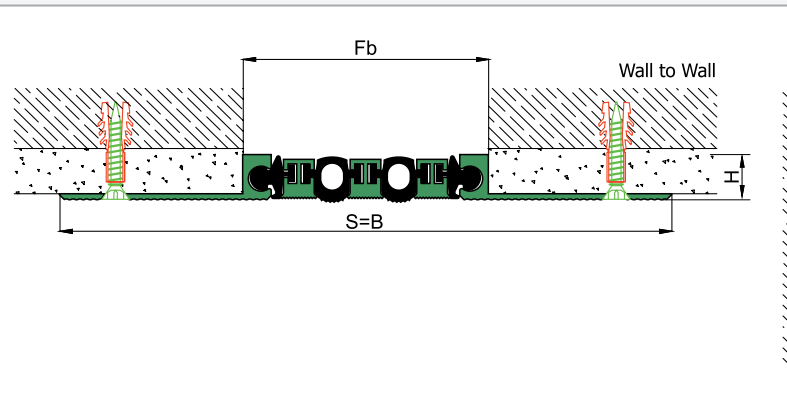
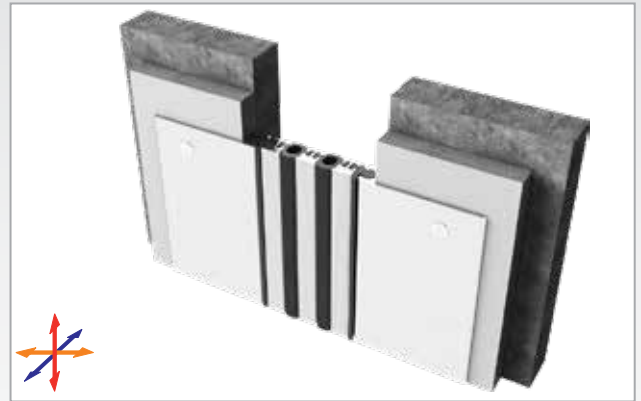
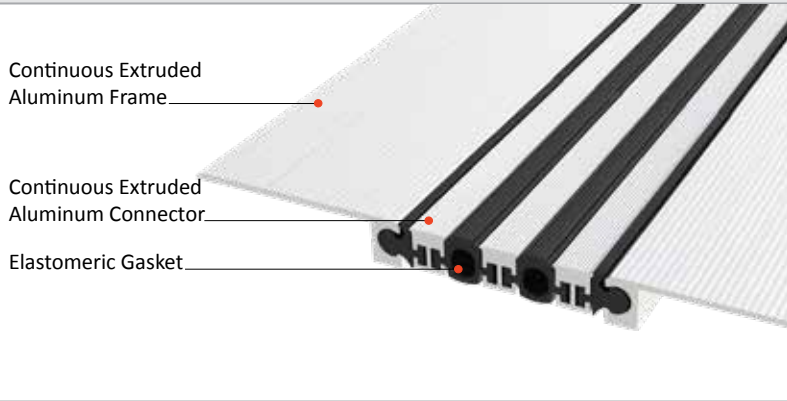
Note: Please ask for different sizes





AS U136 can be considered as surface mounted type of AS A126 and can easily be installed by means of screws to all types of wall & ceiling. Adjustable interlocking profile and gasket configuration makes it available for gaps up to 200 mm. Multipartite design ensures the profile to meet displacements in 3 directions. If inquired, AS U136 can be applied with floor type AS U236 and this dual application brings in a decorative aspect. Profiles are delivered factory-assembled.

- Application Areas** : Indoor & Outdoor / Wall & Ceiling
- Ideal for** : Shopping Malls, Airports, Residences, Hospitals, Hotels, Commercial & Public Buildings etc.
- Material** : Mill Finish Aluminum (Anodizing optional), EPDM (Only in Black Color) or TPE Gasket
- Aluminum Alloy** : EN AW 6063
- Optional Supplies** : Fire Barrier, Waterproof EPDM membrane



\* Visuals are representative and the profile configuration may differ depending on the characteristics requested.

GASKET COLORS    **BLACK**    GREY    BEIGE    Custom Colors available.

LOCATION	MODEL	GAP (Fb) mm	HEIGHT (H) MM	OVERALL WIDTH (B) mm	VISIBLE WIDTH (S) mm	MOVEMENT (W) mm	LOAD CAPACITY	STANDARD LENGTH (mt)
Wall to Wall	AS U136-035	35	15	155	155	± 2	N/A	3
	AS U136-060	60	15	180	180	± 4	N/A	3
	AS U136-080	80	15	200	200	± 6	N/A	3
	AS U136-100	100	15	220	220	± 8	N/A	3
	AS U136-120	120	15	240	240	± 10	N/A	3
	AS U136-140	140	15	260	260	± 12	N/A	3
	AS U136-160	160	15	280	280	± 14	N/A	3
	AS U136-180	180	15	300	300	± 16	N/A	3
	AS U136-200	200	15	320	320	± 18	N/A	3

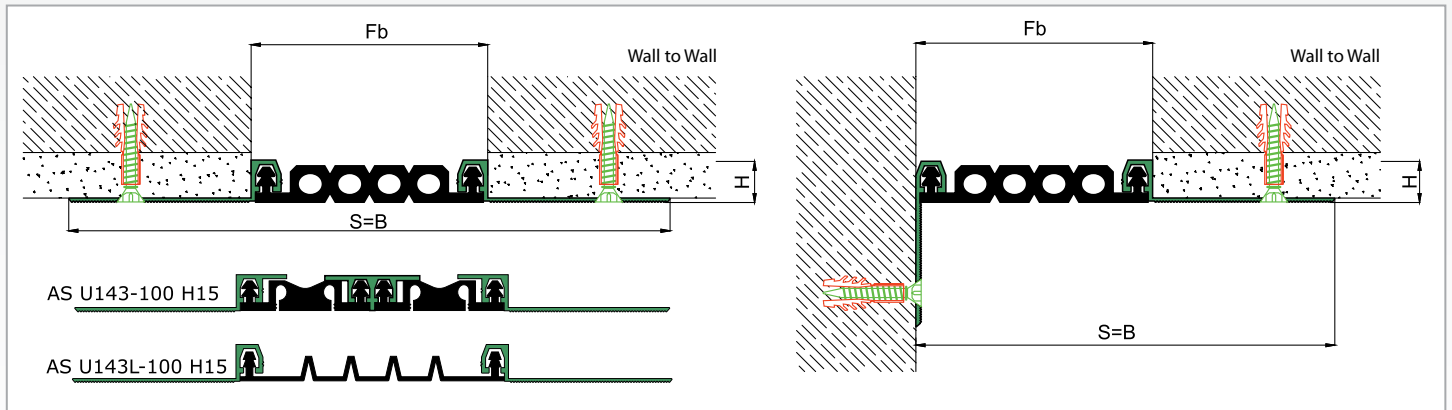
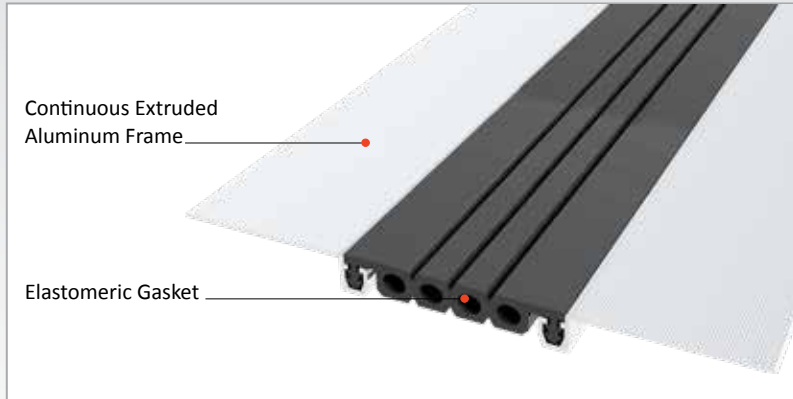
Note: Please ask for different sizes





AS U143 surface mounted profile can easily be installed by means of screws to all types of wall & ceiling. Push-down elastomeric gasket can be changed without demounting the profile. Smooth type gasket is available for some dimensions but with less movement capability compared to grooved type. Profile is designed quite wide compared to AS U120, AS U122 and AS AS U145 models and is ideal for the walls with damaged corners. Profiles up to 80 mm gap are manufactured with single gasket while the wider ones are with double gaskets joined with a connector profile. For some gaps, profile is able to be applied with floor type AS U243 and this dual application brings in a decorative aspect.

- Application Areas** : Indoor / Wall & Ceiling
- Ideal for** : Shopping Malls, Airports, Residences, Hospitals, Hotels, Commercial & Public Buildings etc.
- Material** : Mill Finish Aluminum (Anodizing optional), EPDM (Only in Black Color) or TPE Gasket
- Aluminum Alloy** : EN AW 6063
- Optional Supplies** : Fire Barrier, Waterproof EPDM membrane



\* Visuals are representative and the profile configuration may differ depending on the characteristics requested.

GASKET COLORS    **BLACK**    GREY    BEIGE    Custom Colors available.

LOCATION	MODEL	GAP (Fb) mm	HEIGHT (H) MM	OVERALL WIDTH (B) mm	VISIBLE WIDTH (S) mm	MOVEMENT (W) mm	LOAD CAPACITY	STANDARD LENGTH (mt)
Wall to Wall	AS U143-030	30	15	150	150	± 5	N/A	3
	AS U143-050	50	15	170	170	± 7	N/A	3
	AS U143-080	80	15	200	200	± 10	N/A	3
	AS U143-100	100	15	220	220	± 14	N/A	3
	AS U143L-050	50	15	170	170	+16 / -8	N/A	3
	AS U143L-080	80	15	200	200	± 20	N/A	3
	AS U143L-100	100	15	220	220	+30 / -20	N/A	3

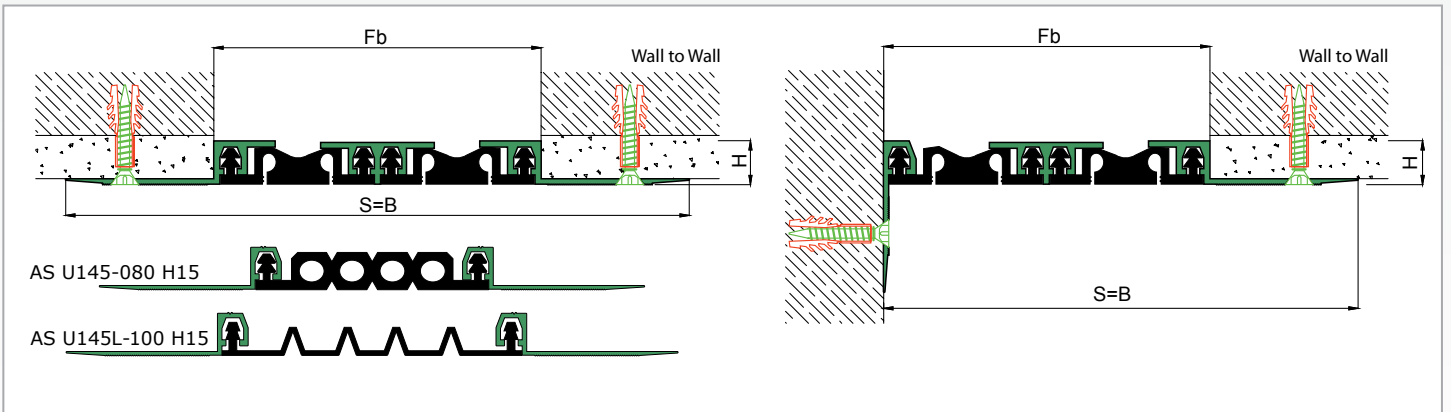
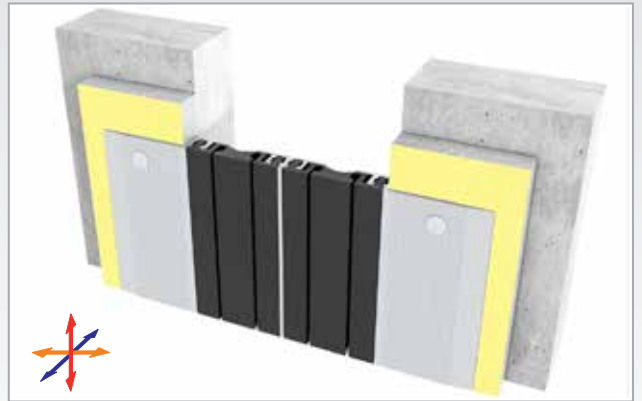
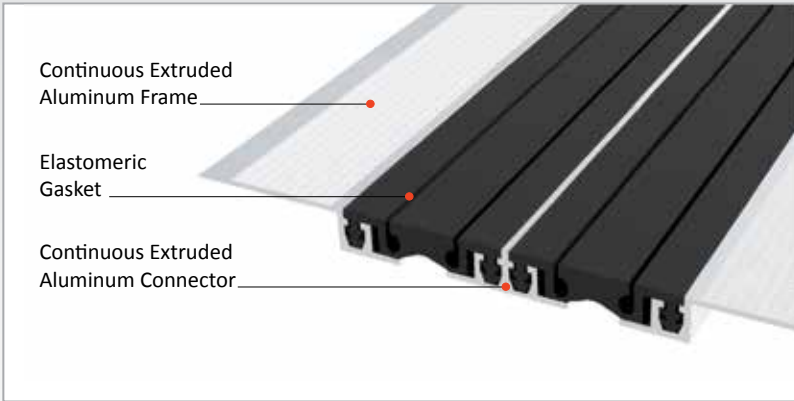
Note: Please ask for different sizes





AS U145 surface mounted profile can easily be installed by means of screws to all types of wall & ceiling. Push-down elastomeric gasket can be changed without demounting the profile. Profiles up to 80 mm gap are manufactured with single gasket while the wider ones are with double gaskets joined with a connector profile. For some gaps, profile can be applied with floor type AS U245 as a dual application chamfered edges and pin striped covers give the profile a decorative aspect.

- Application Areas** : Indoor / Wall & Ceiling
- Ideal for** : Shopping Malls, Airports, Residences, Hospitals, Hotels, Commercial & Public Buildings etc
- Material** : Mill Finish Aluminum (Anodizing optional), EPDM (Only in Black Color) or TPE Gasket
- Aluminum Alloy** : EN AW 6063
- Optional Supplies** : Fire Barrier, Waterproof EPDM membrane



\* Visuals are representative and the profile configuration may differ depending on the characteristics requested.



LOCATION	MODEL	GAP (Fb) mm	HEIGHT (H) MM	OVERALL WIDTH (B) mm	VISIBLE WIDTH (S) mm	MOVEMENT (W) mm	LOAD CAPACITY	STANDARD LENGTH (mt)
Wall to Wall	AS U145-030	30	15	127	127	± 5	N/A	3
	AS U145-050	50	15	147	147	± 7	N/A	3
	AS U145-080	80	15	177	177	± 10	N/A	3
	AS U145-100	100	15	189	189	± 14	N/A	3
	AS U145L-050	50	15	147	147	+16 / -8	N/A	3
	AS U145L-080	80	15	177	177	± 20	N/A	3
	AS U145L-100	100	15	197	197	+30 / -20	N/A	3

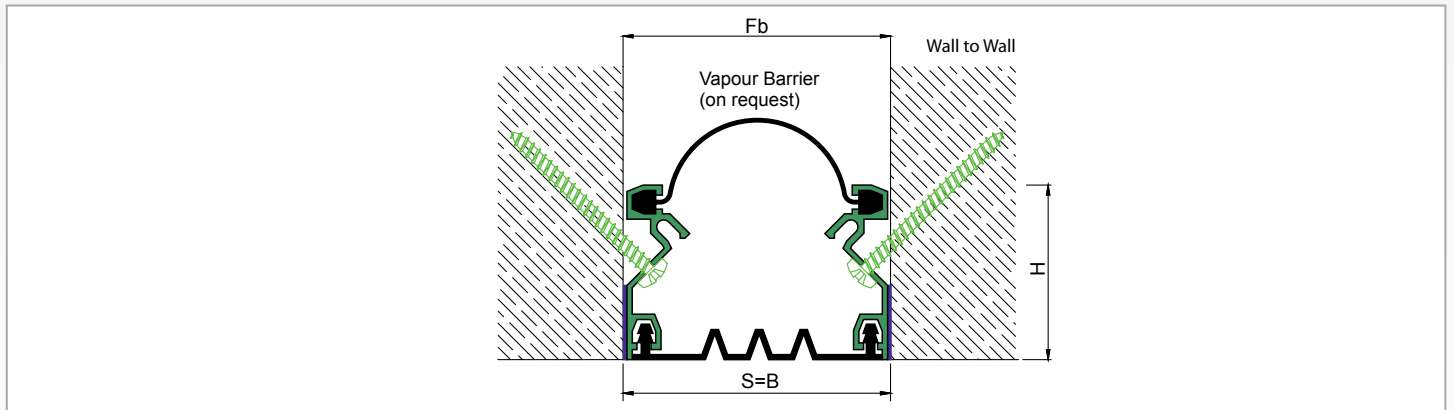
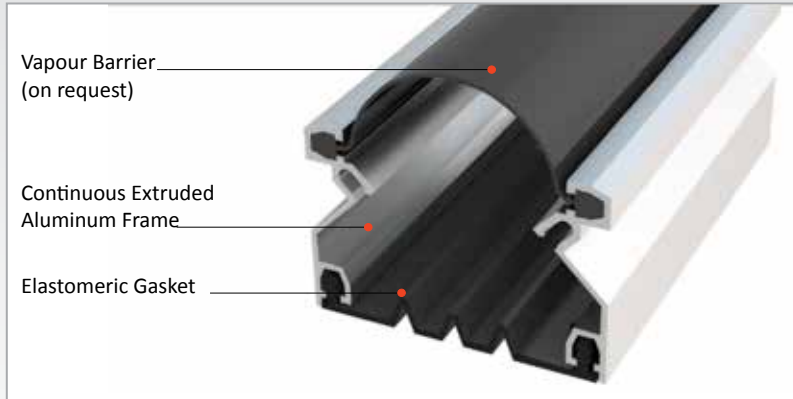
Note: Please ask for different sizes





AS U147 can be applied to all types of walls and particularly designed for applications where minimum aluminum view and invisible screwing is inquired. Flush mounted frame design complies with most of the finishes. Interchangeable Push-down elastomeric gasket gains the profile a remarkable movement ability and can be changed without demounting the profile. Profiles up to 100 mm gap are applied with single gasket while the wider ones are with double gaskets joined with a invisible connector profile.

- Application Areas** : Indoor / Wall & Ceiling
- Ideal for** : Shopping Malls, Airports, Residences, Hospitals, Hotels, Commercial & Public Buildings etc.
- Material** : Mill Finish Aluminum (Anodizing optional), EPDM (Only in Black Color) or TPE Gasket
- Aluminum Alloy** : EN AW 6063
- Optional Supplies** : Fire Barrier, Waterproof EPDM membrane



\* Visuals are representative and the profile configuration may differ depending on the characteristics requested.

GASKET COLORS: **BLACK** GREY BEIGE Custom Colors available.

LOCATION	MODEL	GAP (Fb) mm	HEIGHT (H) MM	OVERALL WIDTH (B) mm	VISIBLE WIDTH (S) mm	MOVEMENT (W) mm	LOAD CAPACITY	STANDARD LENGTH (mt)
Wall to Wall	AS U147-050	50	52	50	50	+16 / -8	N/A	3
	AS U147-080	80	52	80	80	± 20	N/A	3
	AS U147-100	100	52	100	100	+30 / -20	N/A	3
	AS U147-150	150	52	150	150	+40 / -30	N/A	3
	AS U147-200	200	52	200	200	+60 / -40	N/A	3

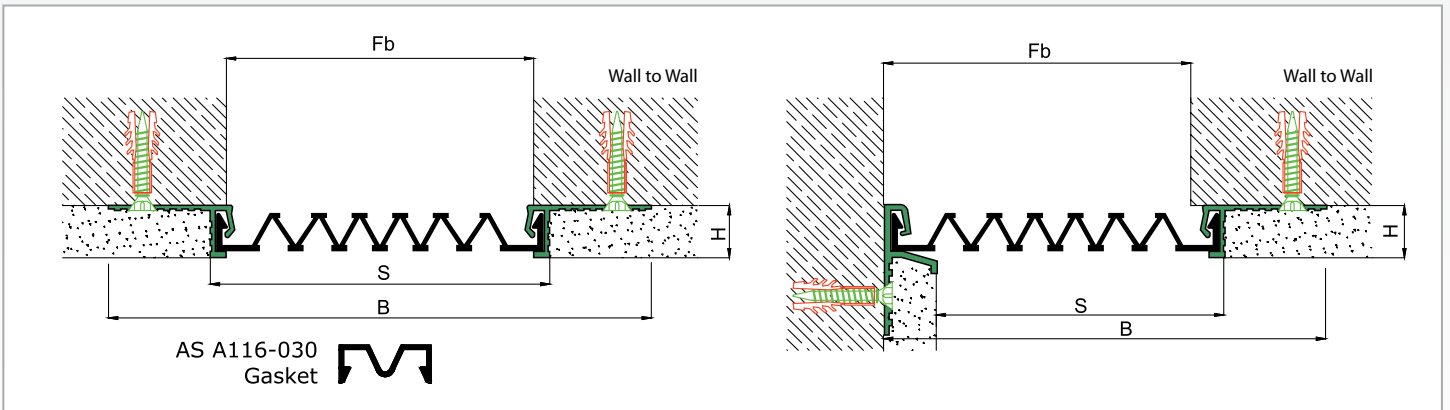
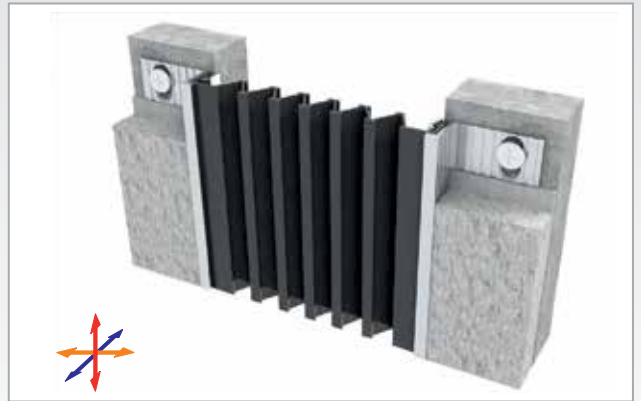
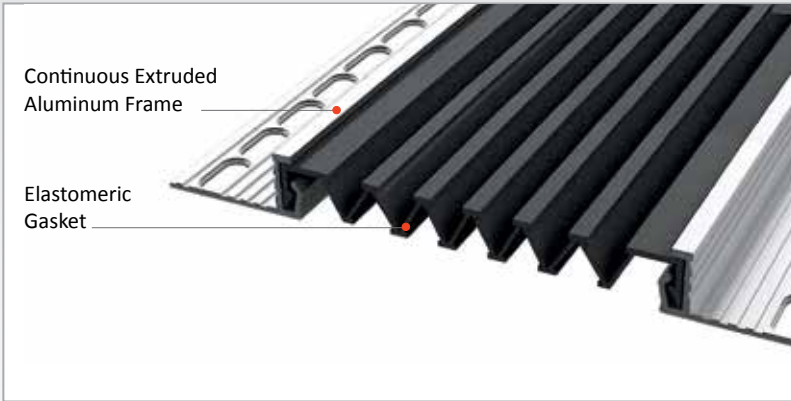
Note: Please ask for different sizes





AS A116 model can be considered as the flush mounted type of AS U120 & AS U121 models and can easily be installed by means of screws to all types of wall & ceiling. Ribbed elastomeric gasket gains the profile a remarkable movement ability and compensate uneven zones in the surface. Slide-in gasket system lets the profile to be used at exterior applications as well as interior areas. Profiles up to 150 mm gap are applied with single gasket while the wider ones are with double gaskets joined with a connector profile.

- Application Areas** : Indoor & Outdoor / Wall & Ceiling
- Ideal for** : Shopping Malls, Airports, Residences, Hospitals, Hotels, Commercial & Public Buildings etc.
- Material** : Mill Finish Aluminum (Anodizing optional), EPDM (Only in Black Color) or TPE Gasket
- Aluminum Alloy** : EN AW 6063
- Optional Supplies** : Fire Barrier, Waterproof EPDM membrane



\* Visuals are representative and the profile configuration may differ depending on the characteristics requested.



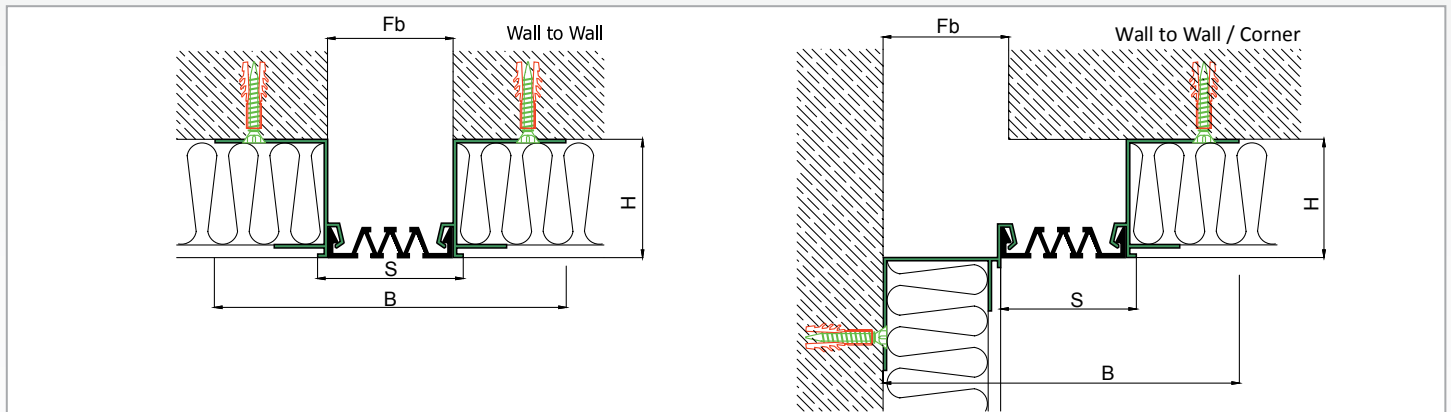
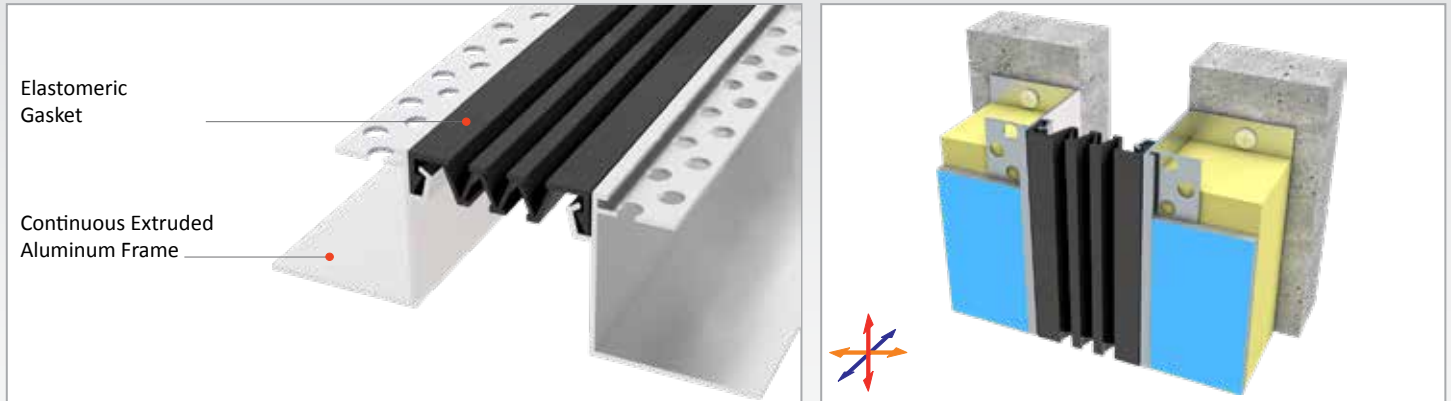
LOCATION	MODEL	GAP (Fb) mm	HEIGHT (H) MM	OVERALL WIDTH (B) mm	VISIBLE WIDTH (S) mm	MOVEMENT (W) mm	LOAD CAPACITY	STANDARD LENGTH (mt)
Wall to Wall	AS A116-030	30	17	100	33	+10 / -6	N/A	3
	AS A116-050	50	17	127	60	+20 / -15	N/A	3
	AS A116-080	80	17	157	90	+40 / -30	N/A	3
	AS A116-100	100	17	177	110	+20 / -50	N/A	3
	AS A116-120	120	17	197	130	+60 / -50	N/A	3
	AS A116-150	150	17	227	160	+30 / -80	N/A	3
	AS A116-200	200	17	277	210	+40 / -100	N/A	3
	AS A116-200M	200	17	277	210	+40 / -100	N/A	3
	AS A116-300M	300	17	377	280	+60 / -160	N/A	3

Note: Please ask for different sizes



AS A124 flush mounted profile is specially designed for places with insulating board applications and can easily be installed by means of screws to all types of walls. Its ribbed elastomeric gasket gains the profile a remarkable movement ability and slide-in gasket system lets the profile to be used at facades. Profiles up to 150 mm gap are applied with single gasket while the wider ones are with double gaskets joined with a connector profile.

- Application Areas** : Outdoor / Wall
- Ideal for** : Shopping Malls, Airports, Residences, Hospitals, Hotels, Commercial & Public Buildings etc.
- Material** : Mill Finish Aluminum (Anodizing optional), EPDM (Only in Black Color) or TPE Gasket
- Aluminum Alloy** : EN AW 6063
- Optional Supplies** : Fire Barrier, Waterproof EPDM membrane



\* Visuals are representative and the profile configuration may differ depending on the characteristics requested.



LOCATION	MODEL	GAP (Fb) mm	HEIGHT (H) MM	OVERALL WIDTH (B) mm	VISIBLE WIDTH (S) mm	MOVEMENT (W) mm	LOAD CAPACITY	STANDARD LENGTH (mt)
Wall to Wall	AS A124-030	30	47 / 57	120	38	+10 / -6	N/A	3
	AS A124-050	50	47 / 57	140	58	+20 / -15	N/A	3
	AS A124-080	80	47 / 57	170	88	+40 / -30	N/A	3
	AS A124-100	100	47 / 57	190	108	+20 / -50	N/A	3
	AS A124-150	150	47 / 57	240	158	+30 / -80	N/A	3
	AS A124-200	200	47 / 57	290	208	+40 / -100	N/A	3
	AS A124-200M	200	47 / 57	290	208	+40 / -100	N/A	3

Note: Please ask for different sizes

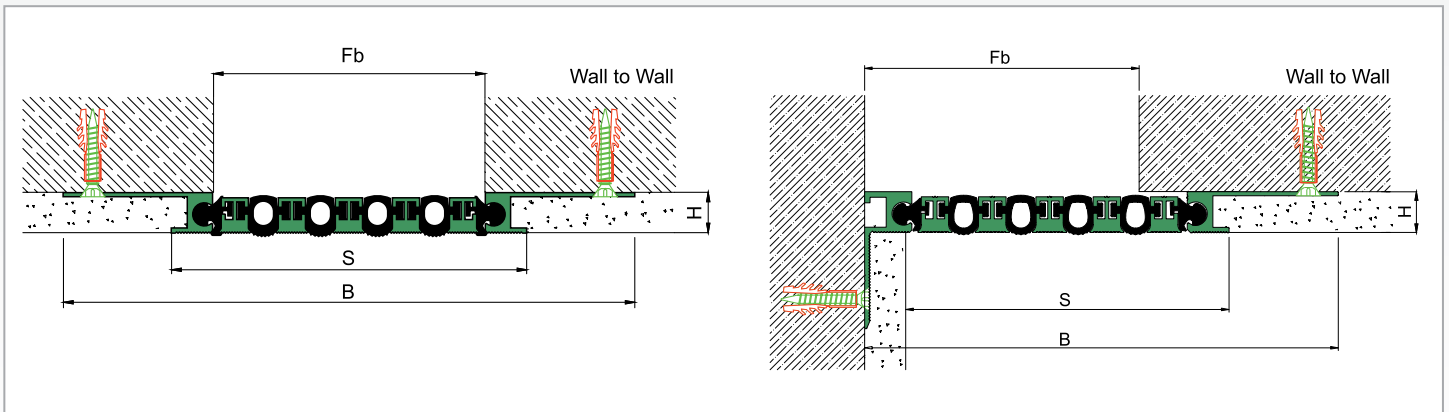
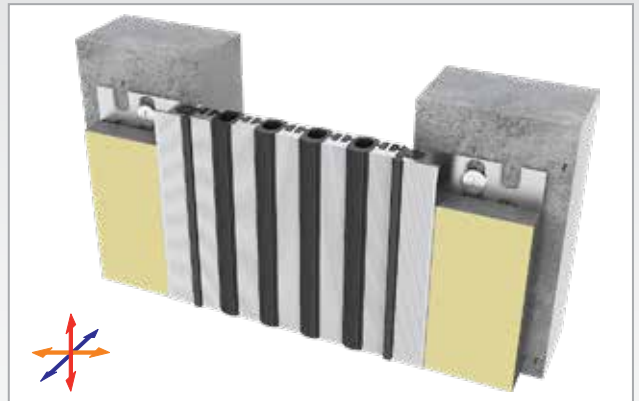
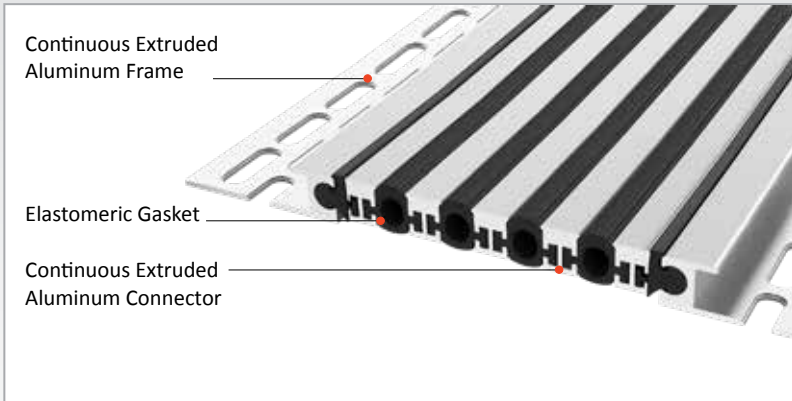






AS A126 flush mounted profile can easily be installed by means of screws to all types of wall & ceiling. Adjustable interlocking profile and gasket configuration makes it available for gaps up to 200 mm. Multipartite design ensures the profile to meet displacements in 3 directions. If inquired, AS A126 can be applied with floor type AS A226 and this dual application brings in a decorative aspect. Profiles are delivered factory-assembled.

- Application Areas** : Indoor & Outdoor / Wall & Ceiling
- Ideal for** : Shopping Malls, Airports, Residences, Hospitals, Hotels, Commercial & Public Buildings etc.
- Material** : Mill Finish Aluminum (Anodizing optional), EPDM (Only in Black Color) or TPE Gasket
- Aluminum Alloy** : EN AW 6063
- Optional Supplies** : Fire Barrier, Waterproof EPDM membrane



\* Visuals are representative and the profile configuration may differ depending on the characteristics requested.

GASKET COLORS    **BLACK**    GREY    BEIGE    Custom Colors available.

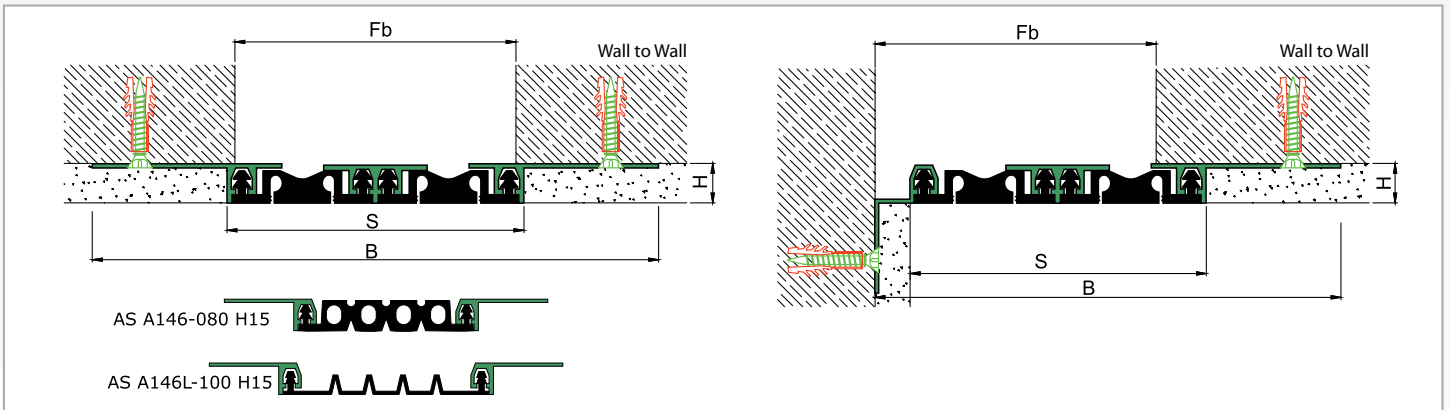
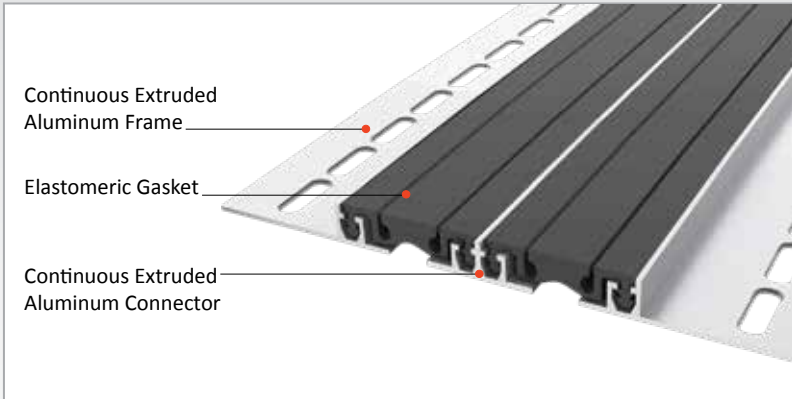
LOCATION	MODEL	GAP (Fb) mm	HEIGHT (H) MM	OVERALL WIDTH (B) mm	VISIBLE WIDTH (S) mm	MOVEMENT (W) mm	LOAD CAPACITY	STANDARD LENGTH (mt)
Wall to Wall	AS A126-030	30	15 / 28	128	48	± 2	N/A	3
	AS A126-050	50	15 / 28	148	68	± 4	N/A	3
	AS A126-060	60	15 / 28	170	90	± 6	N/A	3
	AS A126-080	80	15 / 28	190	110	± 8	N/A	3
	AS A126-100	100	15 / 28	210	131	± 10	N/A	3
	AS A126-120	120	15 / 28	231	152	± 12	N/A	3
	AS A126-140	140	15 / 28	252	173	± 14	N/A	3
	AS A126-160	160	15 / 28	273	193	± 16	N/A	3
	AS A126-200	200	15 / 28	315	235	± 20	N/A	3

Note: Please ask for different sizes



AS A146 profile can be considered as flush mounted type of AS U143 and can easily be installed by means of screws to all types of wall & ceiling. Especially recommended for drywall applications. Push-down elastomeric gasket can be changed without demounting the profile. Profiles up to 80 mm gap are manufactured with single gasket while the wider ones are with double gaskets joined with a connector profile. For some gaps, profile can be applied with floor type AS A246 and this dual application brings in a decorative aspect.

- Application Areas** : Indoor / Wall & Ceiling
- Ideal for** : Shopping Malls, Airports, Residences, Hospitals, Hotels, Commercial & Public Buildings etc.
- Material** : Mill Finish Aluminum (Anodizing optional), EPDM (Only in Black Color) or TPE Gasket
- Aluminum Alloy** : EN AW 6063
- Optional Supplies** : Fire Barrier, Waterproof EPDM membrane



\* Visuals are representative and the profile configuration may differ depending on the characteristics requested.

GASKET COLORS    **BLACK**    GREY    BEIGE    Custom Colors available.

LOCATION	MODEL	GAP (Fb) mm	HEIGHT (H) MM	OVERALL WIDTH (B) mm	VISIBLE WIDTH (S) mm	MOVEMENT (W) mm	LOAD CAPACITY	STANDARD LENGTH (mt)
Wall to Wall	AS A146-030	30	15	97	32	± 5	N/A	3
	AS A146-050	50	15	117	52	± 7	N/A	3
	AS A146-065	65	15	132	67	± 8	N/A	3
	AS A146-080	80	15	147	82	± 10	N/A	3
	AS A146-100	100	15	200	104	± 14	N/A	3
	AS A146-150	150	15	278	158	± 14	N/A	3
	AS A146L-050	50	15	118	54	+16 / -8	N/A	3
	AS A146L-080	80	15	143	79	± 20	N/A	3
	AS A146L-100	100	15	163	100	+30 / -20	N/A	3

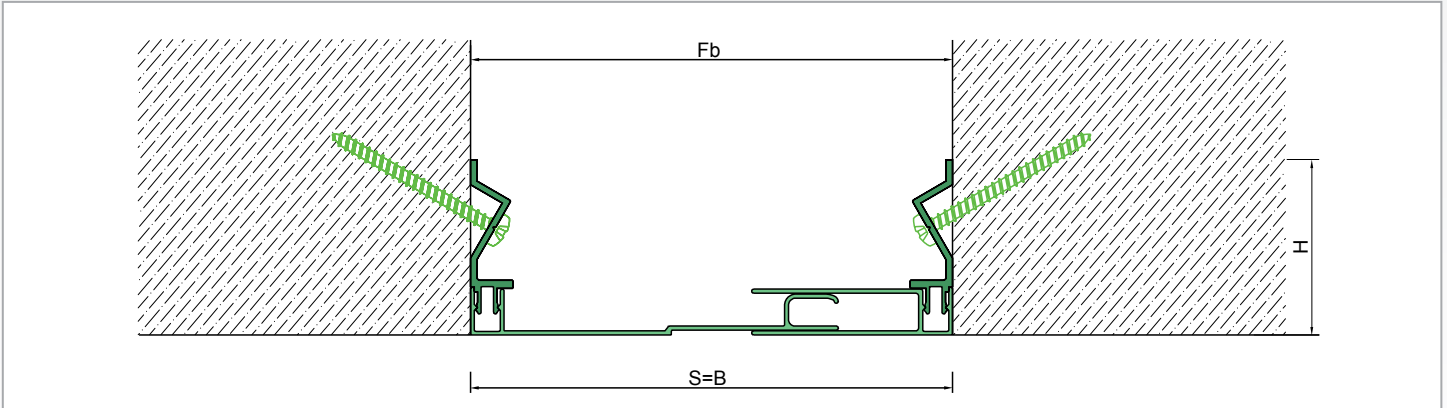
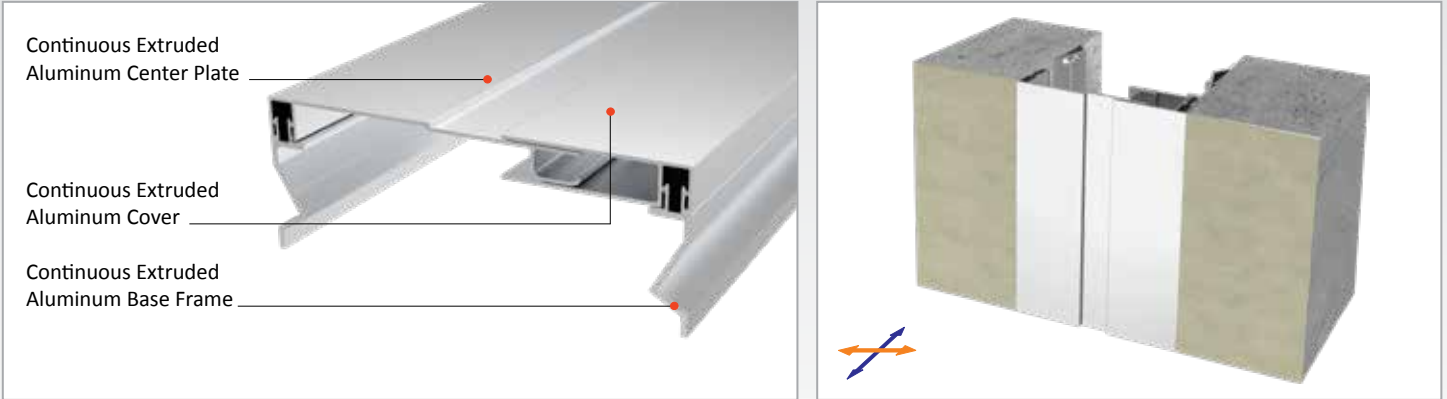
Note: Please ask for different sizes





AS A161 can be applied to all types of walls and particularly designed for applications where maximum aluminum view and invisible screwing is inquired. Flush mounted frame design complies with most of the finishes. Easy installation, decorative view, high movementability & maintenance-free characteristics makes AS A161 a favorable profile.

- Application Areas** : Indoor / Wall & Ceiling
- Ideal for** : Shopping Malls, Airports, Residences, Hospitals, Hotels, Commercial & Public Buildings etc.
- Material** : Mill Finish Aluminum (Anodizing optional)
- Aluminum Alloy** : EN AW 6063
- Optional Supplies** : Fire Barrier, Waterproof EPDM membrane



\* Visuals are representative and the profile configuration may differ depending on the characteristics requested.

LOCATION	MODEL	GAP (Fb) mm	HEIGHT (H) MM	OVERALL WIDTH (B) mm	VISIBLE WIDTH (S) mm	MOVEMENT (W) mm	LOAD CAPACITY	STANDARD LENGTH (mt)
Wall to Wall	AS A161-100	100	55	100	100	+25/-15	N/A	3
	AS A161-150	150	55	150	150	± 25	N/A	3

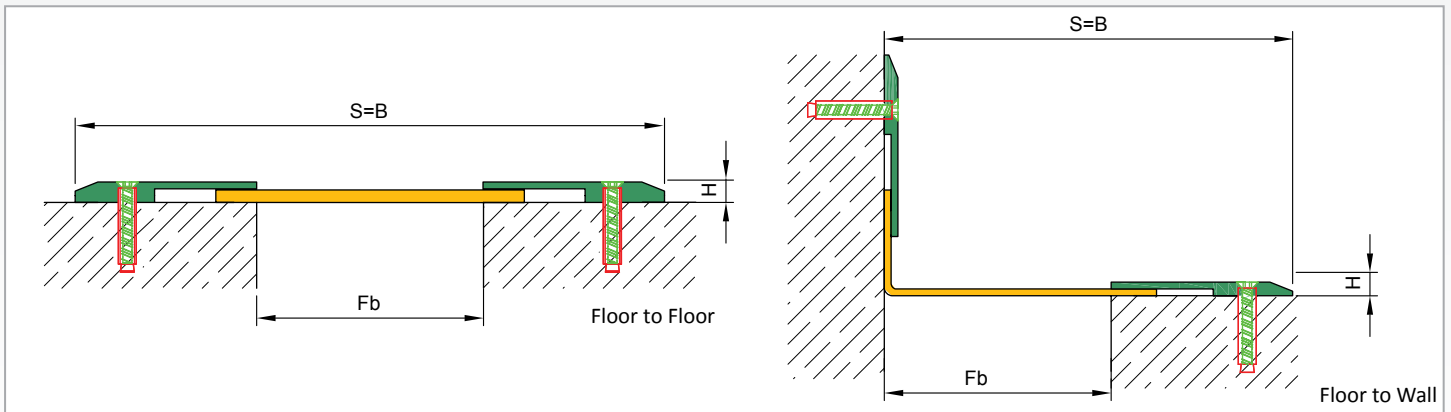
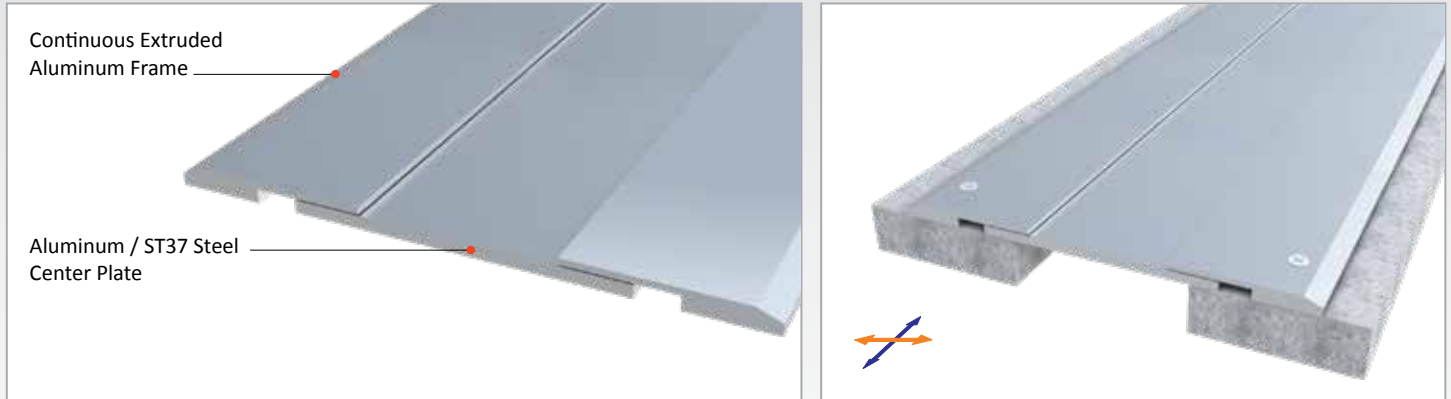
Note: Please ask for different sizes



AS U202 surface mounted profile can be applied to all types of floors and load bearing capacity is designed for pedestrians. Easy installation, pure metal structure, maintenance-free and wear resistance properties make it favorable for places with heavy pedestrian traffic. Base frames of the profile are fixed on the surface and movable center plate meets horizontal and lateral shear displacements.

- Application Areas** : Indoor & Outdoor / Floor
- Ideal for** : Airports, Shopping Malls, Residences, Hospitals, Hotels, Commercial and Public Buildings etc
- Material** : Mill Finish Aluminum (Anodizing optional), Primer Coated ST 37 Steel
- Aluminum Alloy** : EN AW 6063
- Optional Supplies** : Fire Barrier, Waterproof EPDM membrane

FLOOR



\* Visuals are representative and the profile configuration may differ depending on the characteristics requested.

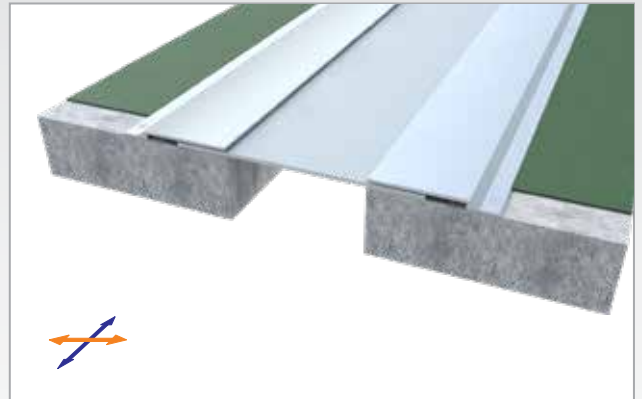
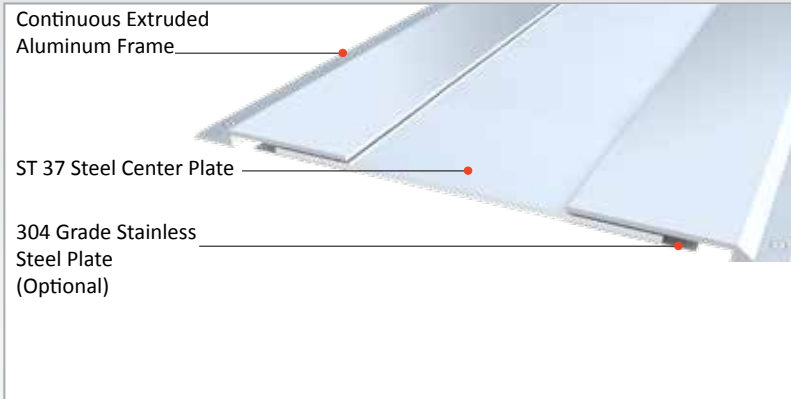
LOCATION	MODEL	GAP (Fb) mm	HEIGHT (H) MM	OVERALL WIDTH (B) mm	VISIBLE WIDTH (S) mm	MOVEMENT (W) mm	LOAD CAPACITY	STANDARD LENGTH (mt)
Floor to Floor	AS U202-050	50	6	210	210	+30/-40	1 person	3
	AS U202-100	100	6	260	260	+25/-50	1 person	3
	AS U202-150	150	6	310	310	+25/-50	1 person	3
	AS U202-200	200	6	360	360	+25/-50	1 person	3

Note: Please ask for different sizes

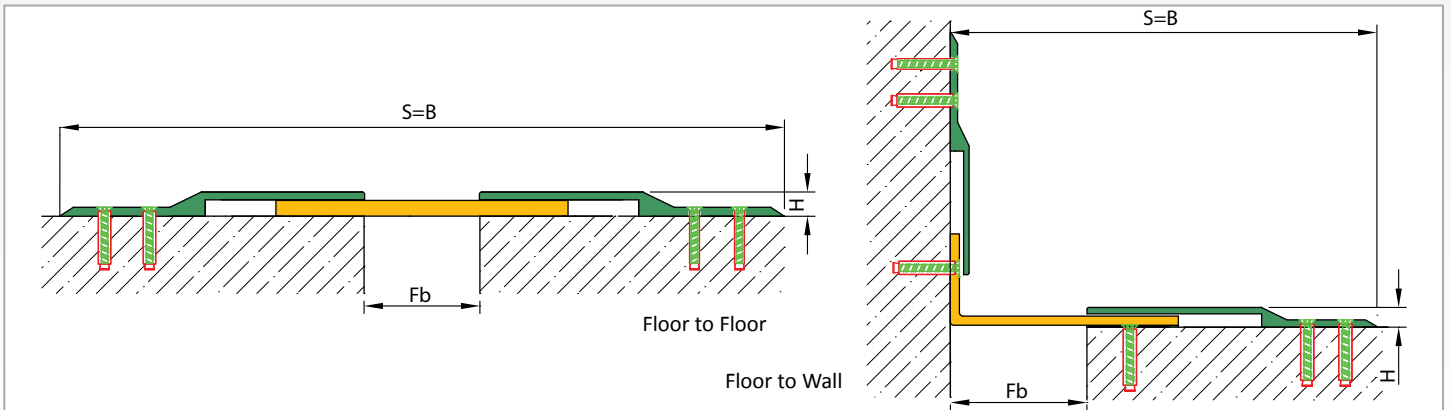
AS U202 surface mounted profile can be applied to all types of floors and load bearing capacity is designed for cars. Easy installation, pure metal structure, maintenance-free and wear resistance properties make it favorable also for places with heavy pedestrian traffic. Base frames of the profile are fixed on the surface and movable center plate meets horizontal and lateral shear displacements.

- Application Areas** : Indoor & Outdoor / Floor
- Ideal for** : Car Parks, Airports, Shopping Malls, Residences, Hospitals, Hotels, Commercial and Public Buildings etc.
- Material** : Mill Finish Aluminum (Anodizing optional), Primer Coated ST 37 Steel, Stainless Steel (Optional)
- Aluminum Alloy** : EN AW 6063
- Optional Supplies** : Fire Barrier, Waterproof EPDM membrane

**20**  
km/h



**FLOOR**



\* Visuals are representative and the profile configuration may differ depending on the characteristics requested.

LOCATION	MODEL	GAP (Fb) mm	HEIGHT (H) MM	OVERALL WIDTH (B) mm	VISIBLE WIDTH (S) mm	MOVEMENT (W) mm	LOAD CAPACITY	STANDARD LENGTH (mt)
Floor to Floor	AS U202-100	100	10	480	480	±100		3
	AS U202-150	150	10	530	530	±100		3
	AS U202-200	200	10	580	580	±100		3
	AS U202-250	250	10	630	630	±100		3

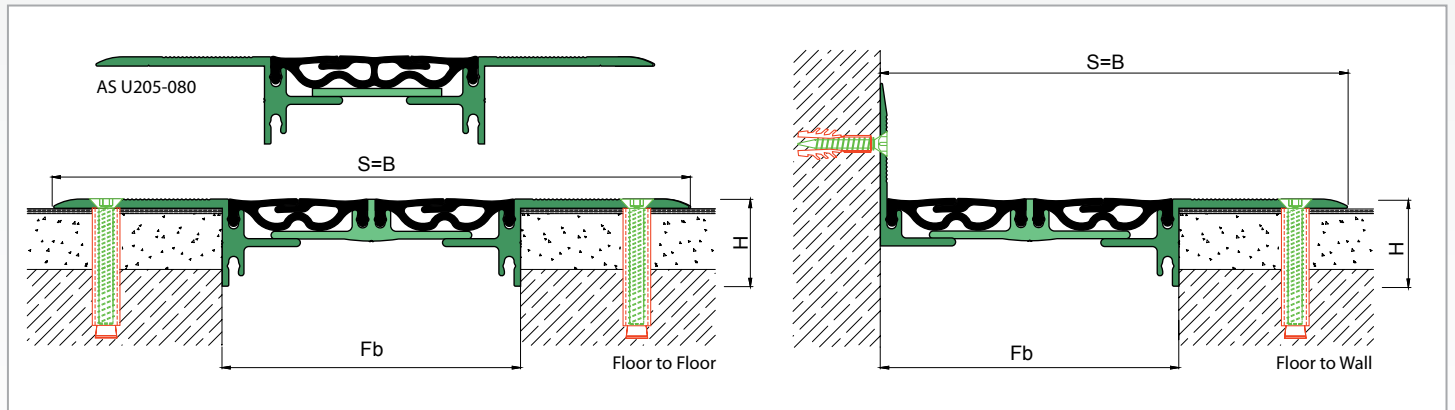
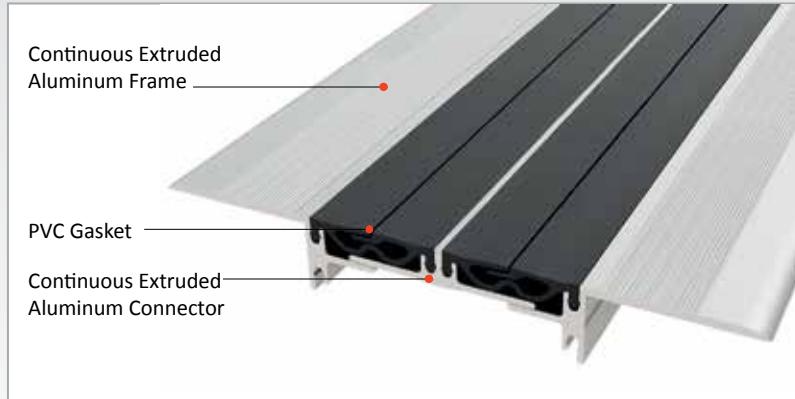
Note: Please ask for different sizes

AS U205 surface mounted profile is applicable to all types of floors and load bearing capacity is designed for cars. Push-down gasket can quickly be placed into the slot and changed in a very easy way, if it's needed. Special gasket design gains the profile high movement ability and prevents accumulation of dirt. Two-way designed gasket slot lets the profile to applied surface or flush mounted. Profiles are applied with single or double gaskets depending on the joint width. Striated surface ensures antislip.

- Application Areas** : Indoor & Outdoor / Floor
- Ideal for** : Car Parks, Shopping Malls, Airports, Residences, Hospitals, Hotels, Commercial & Public Buildings
- Material** : Mill Finish Aluminum (Anodizing optional), PVC Gasket
- Aluminum Alloy** : EN AW 6063
- Optional Supplies** : Fire Barrier, Waterproof EPDM membrane

**20**  
km/h

FLOOR



\* Visuals are representative and the profile configuration may differ depending on the characteristics requested.

GASKET COLORS: **BLACK** GREY BEIGE Custom Colors available.

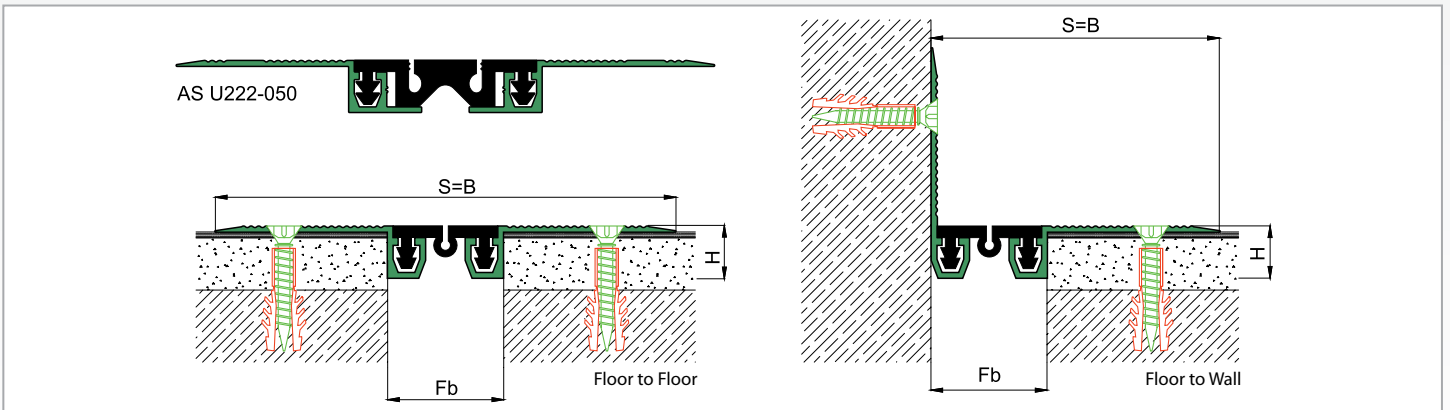
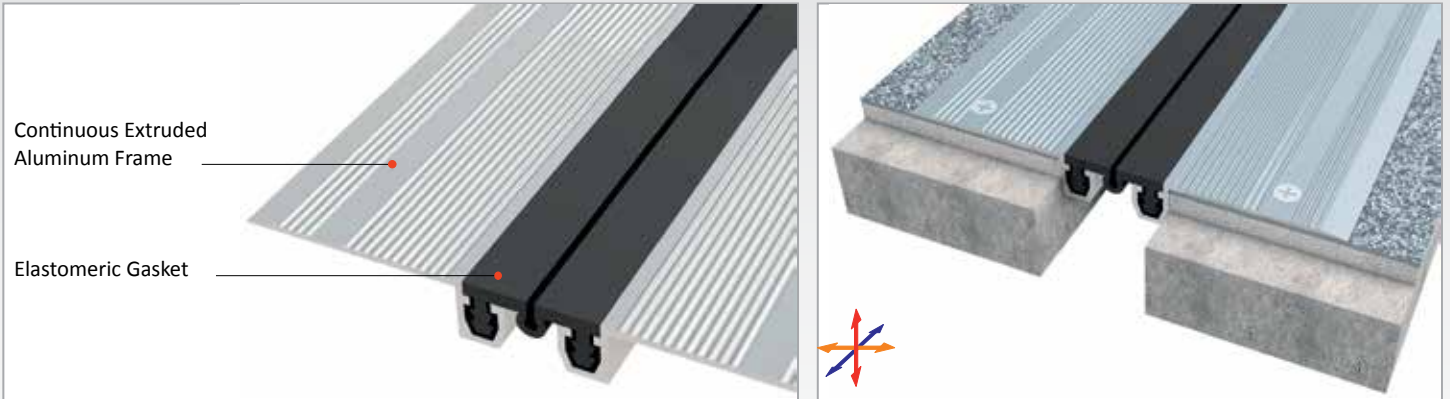
LOCATION	MODEL	GAP (Fb) mm	HEIGHT (H) MM	OVERALL WIDTH (B) mm	VISIBLE WIDTH (S) mm	MOVEMENT (W) mm	LOAD CAPACITY	STANDARD LENGTH (mt)
Floor to Floor	AS U205-050	50	26	177	177	± 10		3
	AS U205-080	80	32	203	203	± 15		3
	AS U205-100	100	32	230	230	+12 / -20		3

Note: Please ask for different sizes

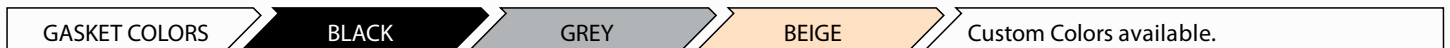


AS U222 surface mounted profile is applicable to all types of floors and load bearing capacity is designed for pedestrian. Push-down elastomeric gasket can quickly be placed into the slot and changed without demounting the profile. Striated surface ensures antislip and profile can be installed in an easy & quick way by means of screws. Narrow frames makes it more economical compared to AS U243 & AS U245 models. Profile can be applied with wall type AS U122 and this dual application brings in a decorative aspect.

- Application Areas** : Indoor & Outdoor / Floor
- Ideal for** : Residences, Offices etc.
- Material** : Mill Finish Aluminum (Anodizing optional), EPDM (Only in Black Color) or TPE Gasket
- Aluminum Alloy** : EN AW 6063
- Optional Supplies** : Fire Barrier, Waterproof EPDM membrane



\* Visuals are representative and the profile configuration may differ depending on the characteristics requested.



LOCATION	MODEL	GAP (Fb) mm	HEIGHT (H) MM	OVERALL WIDTH (B) mm	VISIBLE WIDTH (S) mm	MOVEMENT (W) mm	LOAD CAPACITY	STANDARD LENGTH (mt)
Floor to Floor	AS U222-030	30	15	119	119	± 5	🚶	3
	AS U222-050	50	15	139	139	± 7	🚶	3

Note: Please ask for different sizes

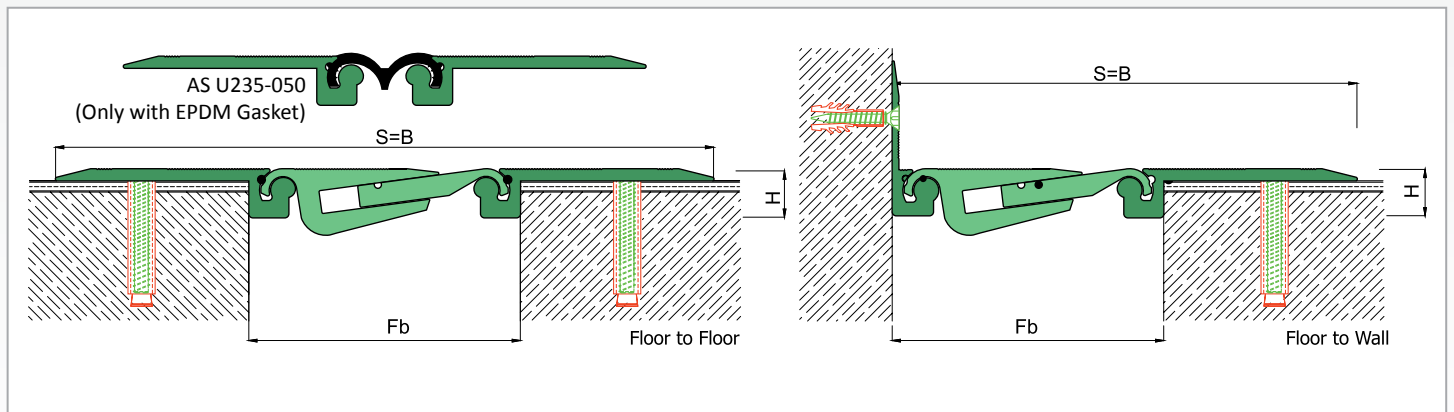
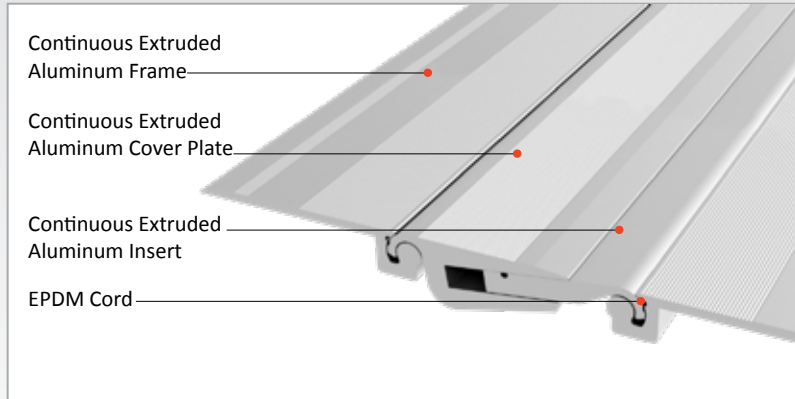


AS U235 surface mounted profile is particularly designed for areas with heavy vehicle traffic. Pure metal structure characterizes AS U235 as a hardwearing & maintenance free profile and makes it favourable also for the places with heavy pedestrian traffic. Hinged profile system and freely moving center pieces let the profile to meet displacements in 3 directions. Striated profile surface prevents slipping while the EPDM cords placed between the profiles eliminate metal stroking noise and minimize liquid leakage risk. For flush mounted applications AS A225 model is available. Profiles are delivered factory-assembled.

- Application Areas** : Indoor & Outdoor / Floor
- Ideal for** : Factories, Warehouses, Car Parks, Shopping Malls, Airports, Commercial & Public Buildings etc.
- Material** : Mill Finish Aluminum (Anodizing optional), EPDM Cord
- Aluminum Alloy** : EN AW 6063
- Optional Supplies** : Fire Barrier, Waterproof EPDM membrane



FLOOR



\* Visuals are representative and the profile configuration may differ depending on the characteristics requested.

LOCATION	MODEL	GAP (Fb) mm	HEIGHT (H) MM	OVERALL WIDTH (B) mm	VISIBLE WIDTH (S) mm	MOVEMENT (W) mm	LOAD CAPACITY	STANDARD LENGTH (mt)
Floor to Floor	AS U235-050	50	17	192	192	+10 / -5	25 kN  120 kN	3
	AS U235-070	70	17	212	212	± 8	35 kN  120 kN	3
	AS U235-080	80	17	222	222	± 8	35 kN  90 kN	3
	AS U235-100	100	17	242	242	± 14	25 kN  60 kN	3
	AS U235-130	130	17	272	272	± 14		3

Note: Please ask for different sizes

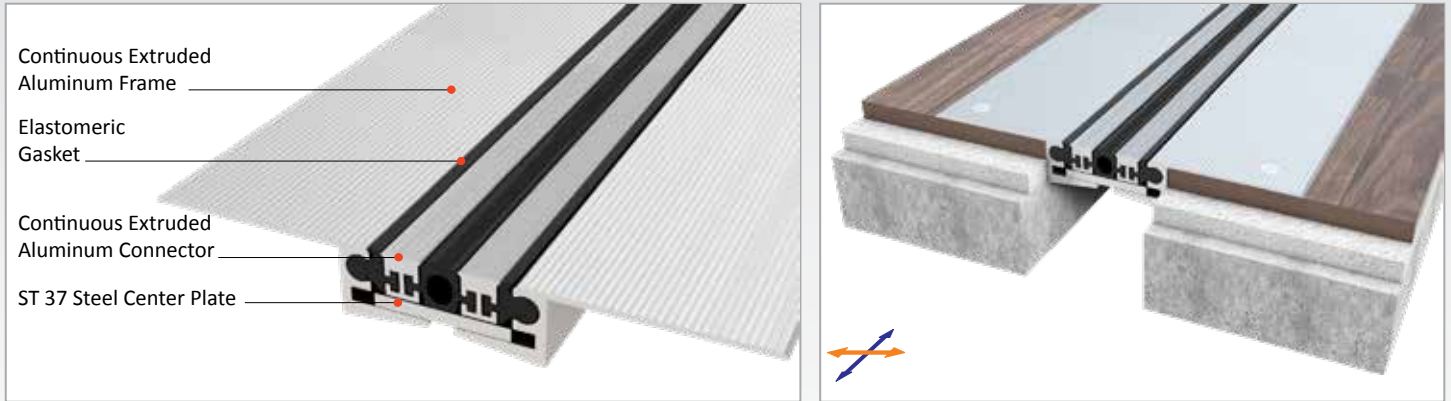




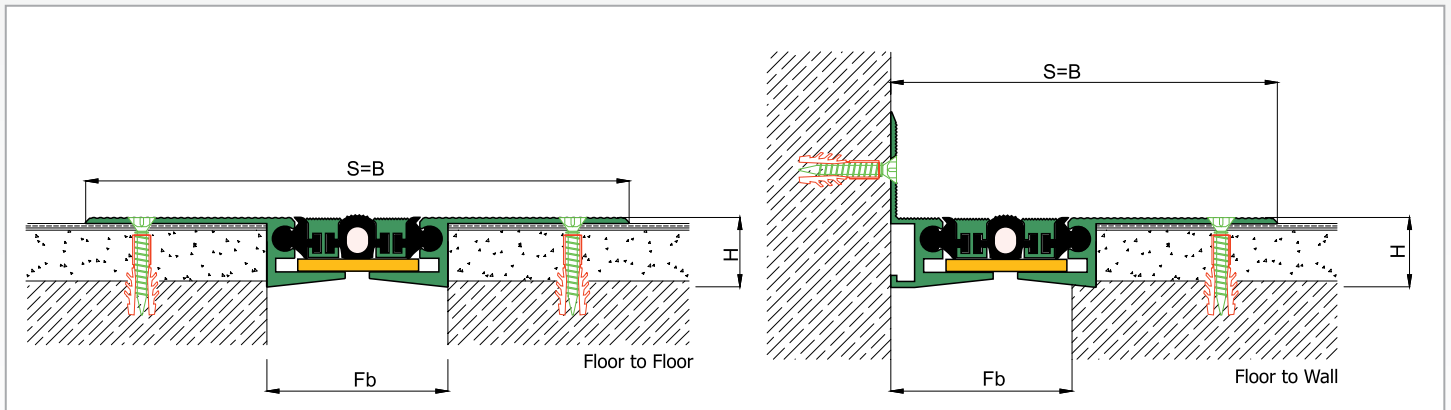
AS U236 surface mounted floor profiles are designed for cars or pedestrians depending on the gap inquired and can easily be applied to all types of floors. Adjustable interlocking profile and gasket configuration makes it available for gaps up to 200 mm and enables to meet horizontal & lateral shear movements. Profiles at H:28 & H:35 mm are manufactured heavy duty. If inquired, AS U236 can be applied with wall type AS U136 and this dual application brings in a decorative aspect. Profiles are delivered factory-assembled.

- Application Areas** : Indoor & Outdoor / Floor
- Ideal for** : Residences, Offices etc.
- Material** : Mill Finish Aluminum (Anodizing optional), EPDM (Only in Black Color) or TPE Gasket, Primer Coated ST 37 Steel
- Aluminum Alloy** : EN AW 6063
- Optional Supplies** : Fire Barrier, Waterproof EPDM membrane

**20**  
km/h



**FLOOR**



\* Visuals are representative and the profile configuration may differ depending on the characteristics requested.

GASKET COLORS: **BLACK** GREY BEIGE Custom Colors available.

LOCATION	MODEL	GAP (Fb) mm	HEIGHT (H) MM	OVERALL WIDTH (B) mm	VISIBLE WIDTH (S) mm	MOVEMENT (W) mm	LOAD CAPACITY	STANDARD LENGTH (mt)
Floor to Floor	AS U236-035	35	15	155	155	± 2	Person	3
	AS U236-060	60	23	180	180	± 4	Car	3
	AS U236-080	80	23	200	200	± 6	Car	3
	AS U236-100	100	23	218	218	± 8	Car	3
	AS U236-120	120	24	240	240	± 10	Car	3
	AS U236-140	140	24	260	260	± 12	Person	3
	AS U236-150	150	24	270	270	± 12	Person	3
	AS U236-180	180	24	298	298	± 16	Person	3
	AS U236-200	200	24	320	320	± 18	Person	3

Note: Please ask for different sizes



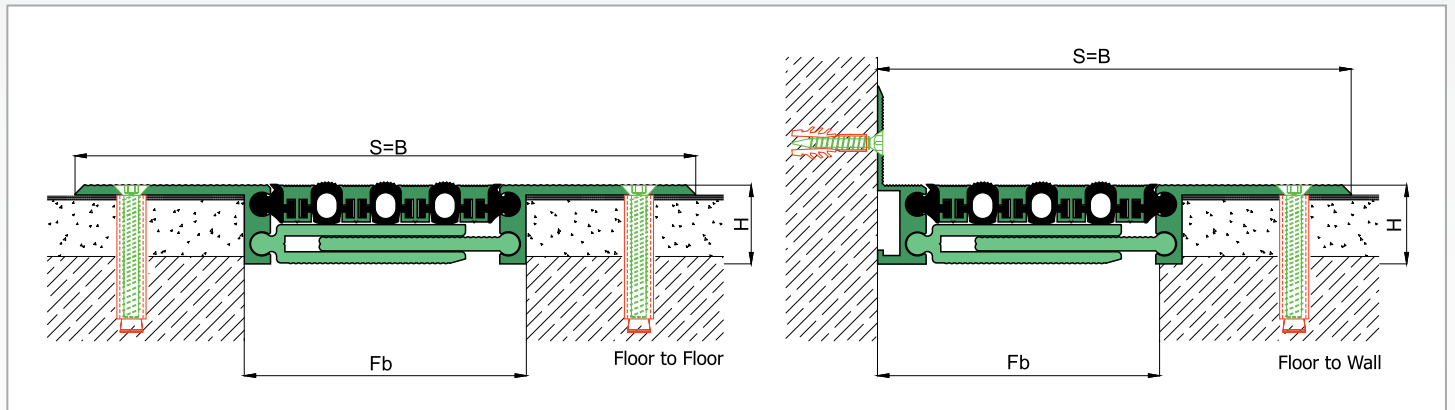
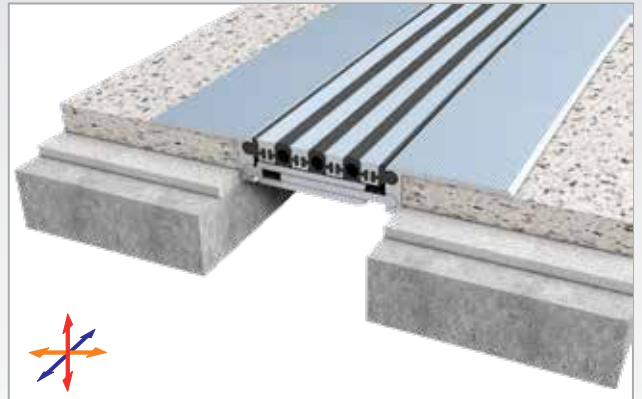
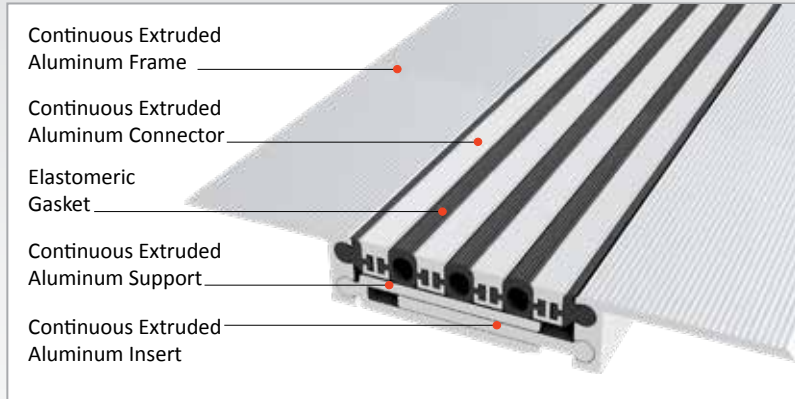


AS U236 surface mounted floor profiles can easily be applied to all types of floors and load bearing capacity is designed for heavy vehicles, cars or pedestrians depending on the gap inquired. Adjustable interlocking profile and gasket configuration makes it available for gaps up to 200 mm and enables to meet displacements in 3 directions. If inquired, AS U236 can be applied with wall type AS U136 and this dual application brings in a decorative aspect. Profiles are delivered factory-assembled.

- Application Areas** : Indoor & Outdoor / Floor  
**Ideal for** : Factories, Warehouses, Car Parks, Shopping Malls, Airports, Residences, Hospitals, Hotels, Public & Commercial Buildings etc.  
**Material** : Mill Finish Aluminum (Anodizing optional), EPDM (Only in Black Color) or TPE Gasket  
**Aluminum Alloy** : EN AW 6063  
**Optional Supplies** : Fire Barrier, Waterproof EPDM membrane



FLOOR



\* Visuals are representative and the profile configuration may differ depending on the characteristics requested.



LOCATION	MODEL	GAP (Fb) mm	HEIGHT (H) MM	OVERALL WIDTH (B) mm	VISIBLE WIDTH (S) mm	MOVEMENT (W) mm	LOAD CAPACITY	STANDARD LENGTH (mt)
Floor to Floor	AS U236-035	35	28	156	156	± 2	70 kN  120 kN	3
	AS U236-060	60	28	178	178	± 4	35 kN  90 kN	3
	AS U236-080	80	28	203	203	± 6	25 kN  50 kN	3
	AS U236-100	100	28	220	220	± 8		3
	AS U236-120	120	28	240	240	± 10		3
	AS U236-150	150	28	270	270	± 12		3
	AS U236-200	200	28	320	320	± 18		3

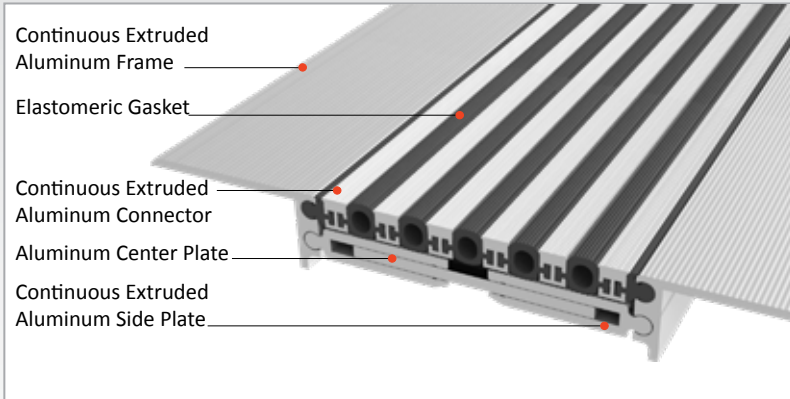
Note: Please ask for different sizes



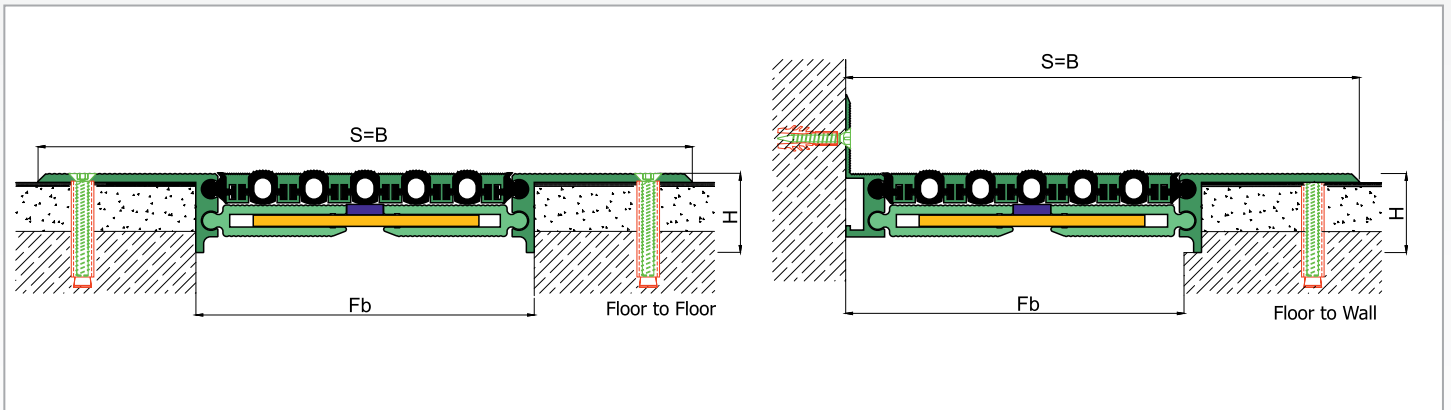


AS U236 surface mounted floor profiles can easily be applied to all types of floors and load bearing capacity is designed for heavy vehicles or cars depending on the gap inquired. Adjustable interlocking profile and gasket configuration makes it available for gaps up to 200 mm and enables to meet displacements in 3 directions. If inquired, AS U236 can be applied with wall type AS U136 and this dual application brings in a decorative aspect. Profiles are delivered factory-assembled.

- Application Areas** : Indoor & Outdoor / Floor
- Ideal for** : Factories, Warehouses, Car Parks, Shopping Malls, Airports, Residences, Hospitals, Hotels, Public & Commercial Buildings etc.
- Material** : Mill Finish Aluminum (Anodizing optional), EPDM (Only in Black Color) or TPE Gasket
- Aluminum Alloy** : EN AW 6063
- Optional Supplies** : Fire Barrier, Waterproof EPDM membrane



FLOOR



\* Visuals are representative and the profile configuration may differ depending on the characteristics requested.



LOCATION	MODEL	GAP (Fb) mm	HEIGHT (H) MM	OVERALL WIDTH (B) mm	VISIBLE WIDTH (S) mm	MOVEMENT (W) mm	LOAD CAPACITY	STANDARD LENGTH (mt)
Floor to Floor	AS U236-060	60	35	199	199	± 4	35 kN  90 kN	3
	AS U236-080	80	35	225	225	± 6	25 kN  50 kN	3
	AS U236-100	100	35	240	240	± 8		3
	AS U236-120	120	35	260	260	± 10		3
	AS U236-150	150	35	284	284	± 12		3
	AS U236-180	180	35	320	320	± 16		3
	AS U236-200	200	35	340	340	± 18		3

Note: Please ask for different sizes

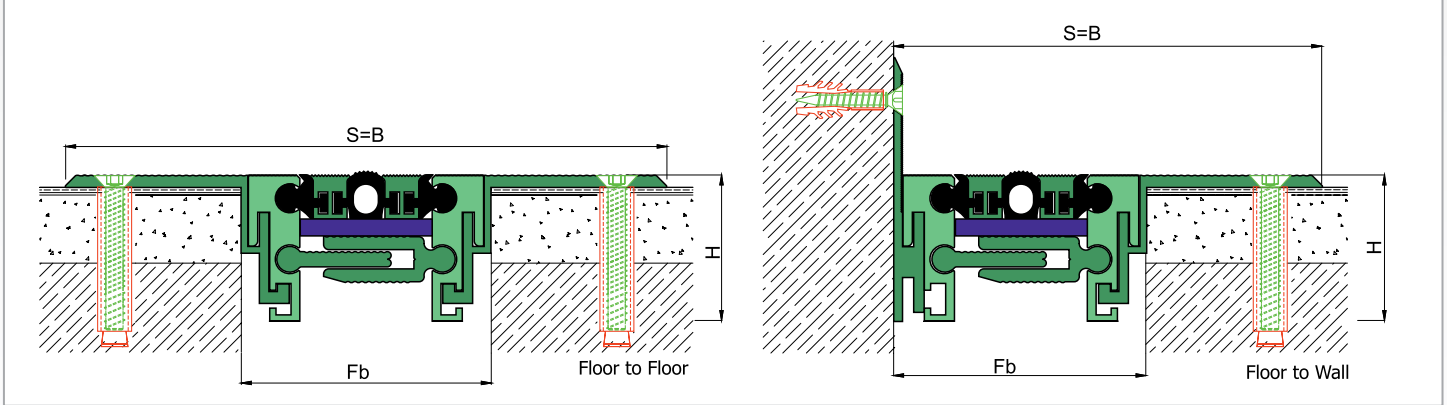
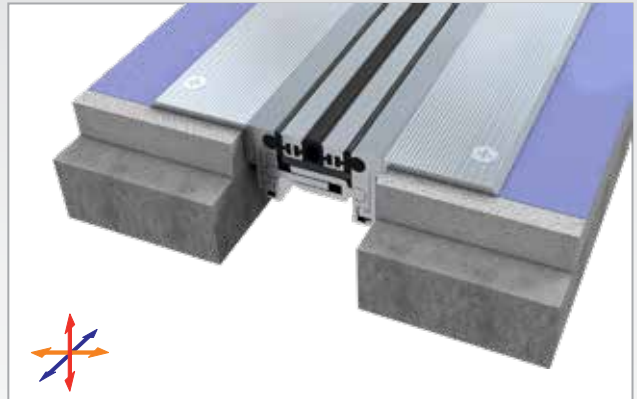
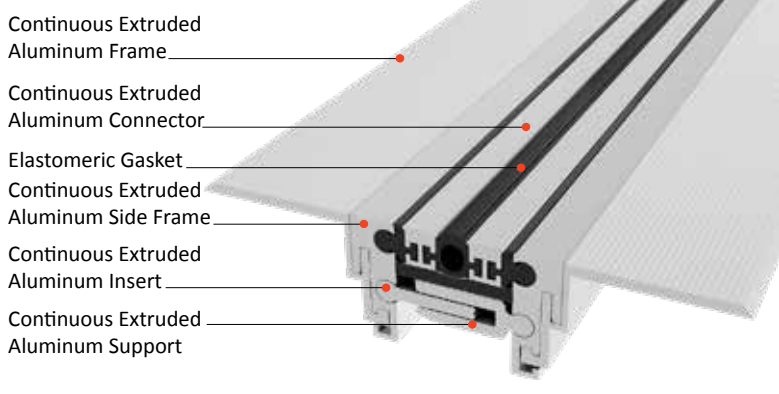


AS U236 surface mounted floor profiles can easily be applied to all types of floors and load bearing capacity is designed for heavy vehicles, cars or pedestrians depending on the gap inquired. Adjustable interlocking profile and gasket configuration makes it available for gaps up to 200 mm and enables to meet displacements in 3 directions. If inquired, AS U236 can be applied with wall type AS U136 and this dual application brings in a decorative aspect. Profiles are delivered factory-assembled.

- Application Areas** : Indoor & Outdoor / Floor  
**Ideal for** : Factories, Warehouses, Car Parks, Shopping Malls, Airports, Residences, Hospitals, Hotels, Public & Commercial Buildings etc.  
**Material** : Mill Finish Aluminum (Anodizing optional), EPDM (Only in Black Color) or TPE Gasket  
**Aluminum Alloy** : EN AW 6063  
**Optional Supplies** : Fire Barrier, Waterproof EPDM membrane



FLOOR



\* Visuals are representative and the profile configuration may differ depending on the characteristics requested.

GASKET COLORS: **BLACK** / GREY / BEIGE / Custom Colors available.

LOCATION	MODEL	GAP (Fb) mm	HEIGHT (H) MM	OVERALL WIDTH (B) mm	VISIBLE WIDTH (S) mm	MOVEMENT (W) mm	LOAD CAPACITY	STANDARD LENGTH (mt)
Floor to Floor	AS U236-050	50	43	154	154	± 2	70 kN  300 kN	3
	AS U236-080	80	43	180	180	± 4	25 kN  50 kN	3
	AS U236-100	100	43	206	206	± 6		3
	AS U236-120	120	43	225	225	± 8		3
	AS U236-140	140	43	244	244	± 10		3
	AS U236-150	150	43	248	248	± 10		3
	AS U236-180	180	43	284	284	± 14		3
	AS U236-200	200	43	303	303	± 16		3

Note: Please ask for different sizes

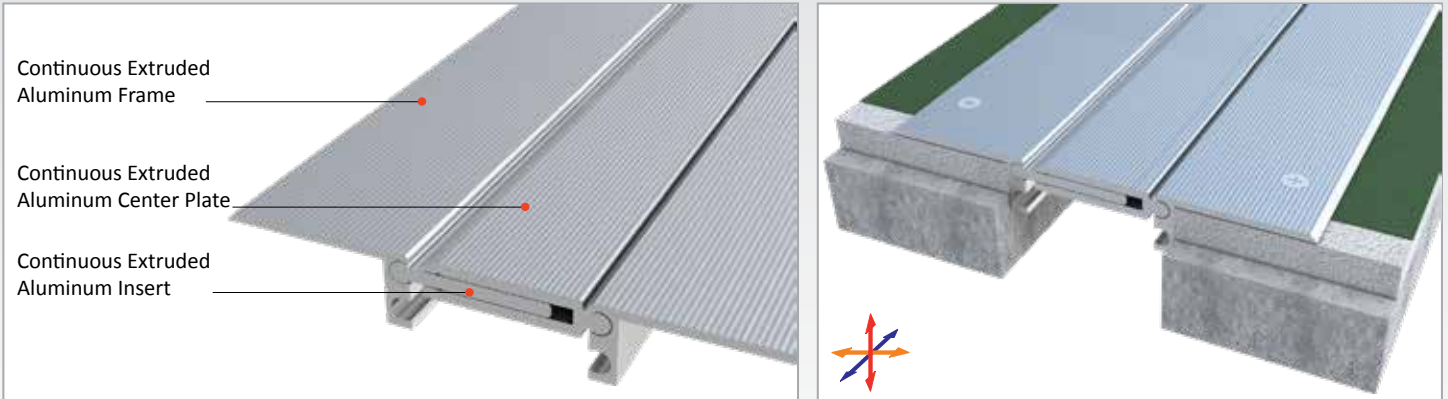




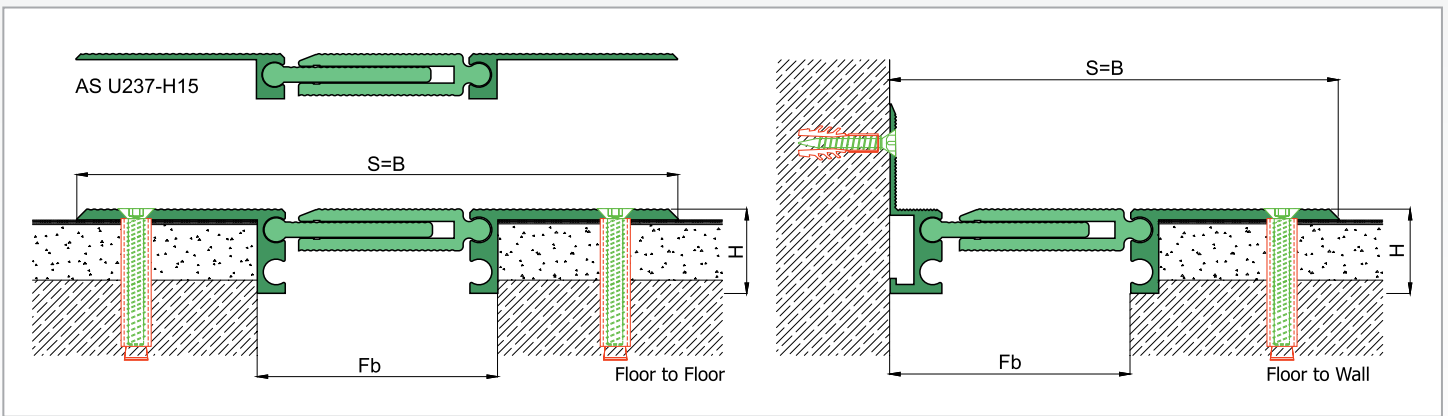


AS U237 surface mounted floor profiles are applicable to all types of floors and load bearing capacity is designed for heavy vehicles, cars or pedestrian depending on the gap inquired. Pure metal structure characterizes AS U237 as a hardwearing & maintenance free profile and makes it ideal for the places with heavy pedestrian traffic. Striated surface finish ensures antislip and round-headed articulated design enables the profile to meet displacements in 3 directions. Profiles are delivered factory-assembled and for some gaps soft EPDM tape is placed on the center plate to align the distance between the side frames. For flush mounted applications AS A227 model is available.

- Application Areas** : Indoor & Outdoor / Floor
- Ideal for** : Factories, Warehouses, Car Parks, Airports, Shopping Malls, Hospitals, Commercial & Public Buildings etc.
- Material** : Mill Finish Aluminum (Anodizing optional), Soft EPDM tape
- Aluminum Alloy** : EN AW 6063
- Optional Supplies** : Fire Barrier, Waterproof EPDM membrane



**FLOOR**



\* Visuals are representative and the profile configuration may differ depending on the characteristics requested.

LOCATION	MODEL	GAP (Fb) mm	HEIGHT (H) MM	OVERALL WIDTH (B) mm	VISIBLE WIDTH (S) mm	MOVEMENT (W) mm	LOAD CAPACITY	STANDARD LENGTH (mt)
Floor to Floor	AS U237-055	55	15	175	175	± 5	🚶	3
	AS U237-055	55	28	175	175	± 5	35 kN 🚚 90 kN 🚛	3
	AS U237-080	80	15	200	200	± 4	🚶	3
	AS U237-080	80	28	200	200	± 4	25 kN 🚚 50 kN 🚛	3
	AS U237-100	100	15	220	220	± 12	🚶	3
	AS U237-100	100	28	220	220	± 12	🚗	3
	AS U237-120	120	15	240	240	± 18	🚶	3
	AS U237-120	120	28	240	240	± 18	🚗	3
	AS U237-150	150	15 / 28	270	270	± 20	🚶	3
	AS U237-200	200	15 / 28	320	320	± 16	🚶	3

Note: Please ask for different sizes

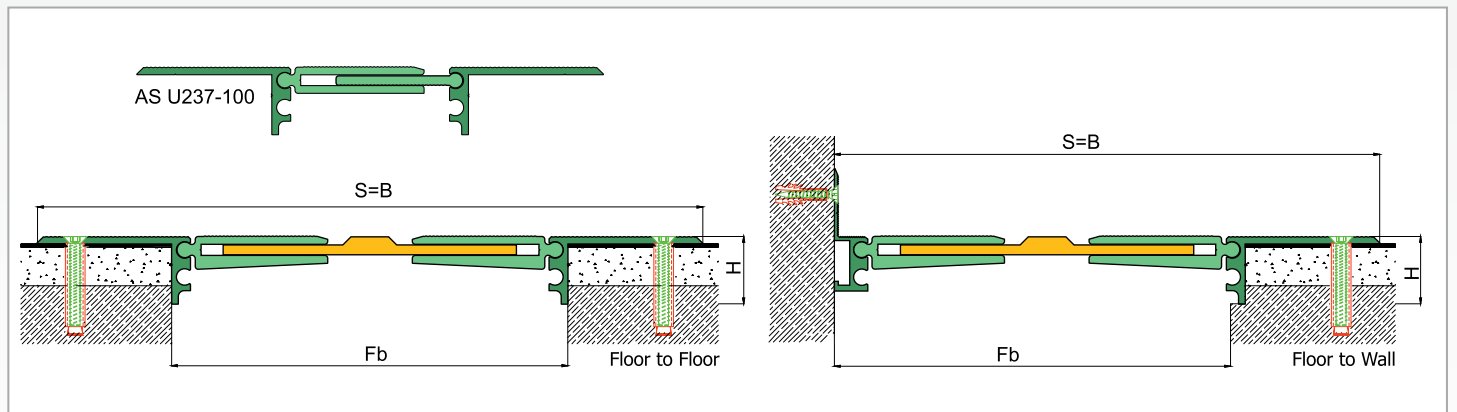
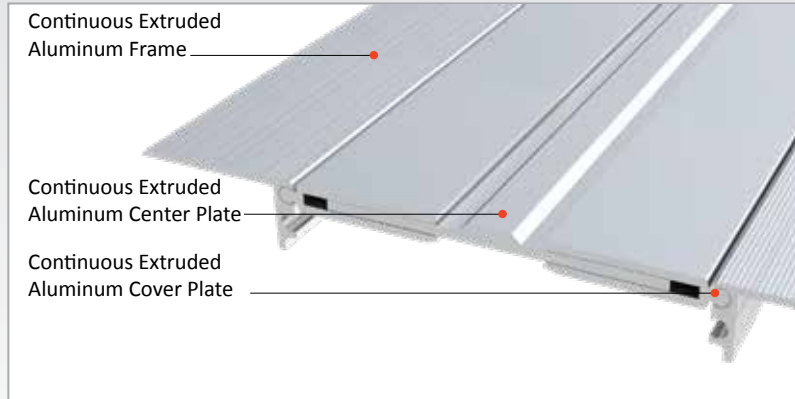


AS U237 surface mounted floor profiles are applicable to all types of floors and load bearing capacity is designed for heavy vehicles or cars depending on the gap inquired. Pure metal structure characterizes AS U237 as a hardwearing & maintenance free profile and makes it ideal for the places with heavy pedestrian traffic. Striated surface finish ensures antislip and round-headed articulated design enables the profile to meet displacements in 3 directions. Profiles are delivered factory-assembled and for some gaps soft EPDM tape is placed on the center plate to align the distance between the side frames. For flush mounted applications AS A227 model is available.

- Application Areas** : Indoor & Outdoor / Floor
- Ideal for** : Factories, Warehouses, Car Parks, Airports, Shopping Malls, Hospitals, Commercial & Public Buildings etc.
- Material** : Mill Finish Aluminum (Anodizing optional), Soft EPDM tape
- Aluminum Alloy** : EN AW 6063
- Optional Supplies** : Fire Barrier, Waterproof EPDM membrane



FLOOR



\* Visuals are representative and the profile configuration may differ depending on the characteristics requested.

LOCATION	MODEL	GAP (Fb) mm	HEIGHT (H) MM	OVERALL WIDTH (B) mm	VISIBLE WIDTH (S) mm	MOVEMENT (W) mm	LOAD CAPACITY	STANDARD LENGTH (mt)
Floor to Floor	AS U237-060	60	35	200	200	± 8	35 kN  300 kN	3
	AS U237-080	80	35	220	220	± 4	25 kN  120 kN	3
	AS U237-100	100	35	240	240	± 10		3
	AS U237-120	120	35	260	260	± 18		3
	AS U237-150	150	35	290	290	± 20		3
	AS U237-180	180	35	320	320	± 20		3
	AS U237-200	200	35	340	340	+20 / -10		3

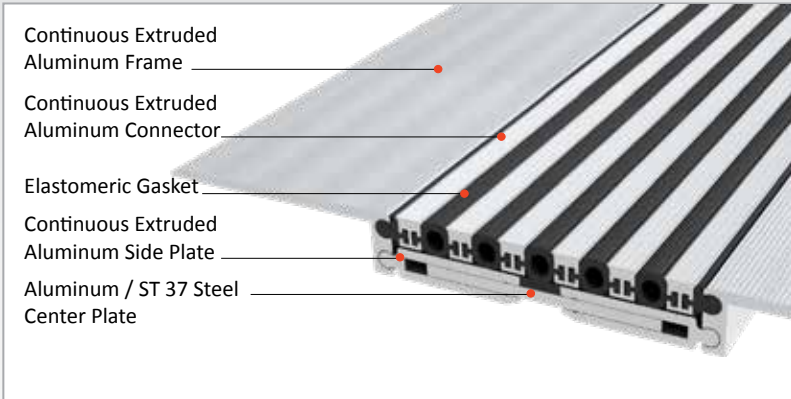
Note: Please ask for different sizes



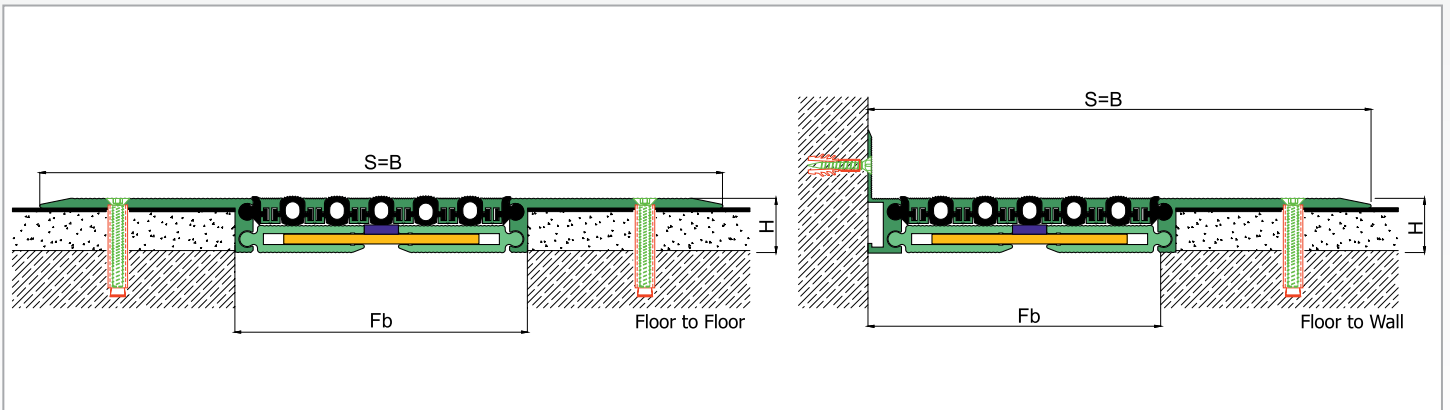
AS U240 surface mounted profile can easily be applied to all types of floors and load bearing capacity is designed for cars. Adjustable interlocking profile and gasket configuration makes it available for gaps up to 200 mm and enables to meet displacements in 3 directions. Quite wide designed frames make AS U240 ideal for wavelike joints and striated surface ensures antislip. Profiles are delivered factory assembled.

- Application Areas** : Indoor & Outdoor / Floor
- Ideal for** : Car Parks, Airports, Shopping Malls, Hospitals, Commercial & Public Buildings etc.
- Material** : Mill Finish Aluminum (Anodizing optional), EPDM (Only in Black Color) or TPE Gasket, Primer Coated ST 37 Steel
- Aluminum Alloy** : EN AW 6063
- Optional Supplies** : Fire Barrier, Waterproof EPDM membrane

**20**  
km/h



**FLOOR**



\* Visuals are representative and the profile configuration may differ depending on the characteristics requested.

GASKET COLORS    **BLACK**    GREY    BEIGE    Custom Colors available.

LOCATION	MODEL	GAP (Fb) mm	HEIGHT (H) MM	OVERALL WIDTH (B) mm	VISIBLE WIDTH (S) mm	MOVEMENT (W) mm	LOAD CAPACITY	STANDARD LENGTH (mt)
Floor to Floor	AS U240-100	100	28	300	300	± 8		3
	AS U240-120	120	28	320	320	± 10		3
	AS U240-150	150	28	350	350	± 12		3
	AS U240-180	180	28	383	383	± 16		3
	AS U240-200	200	28	404	404	+18 / -15		3

Note: Please ask for different sizes

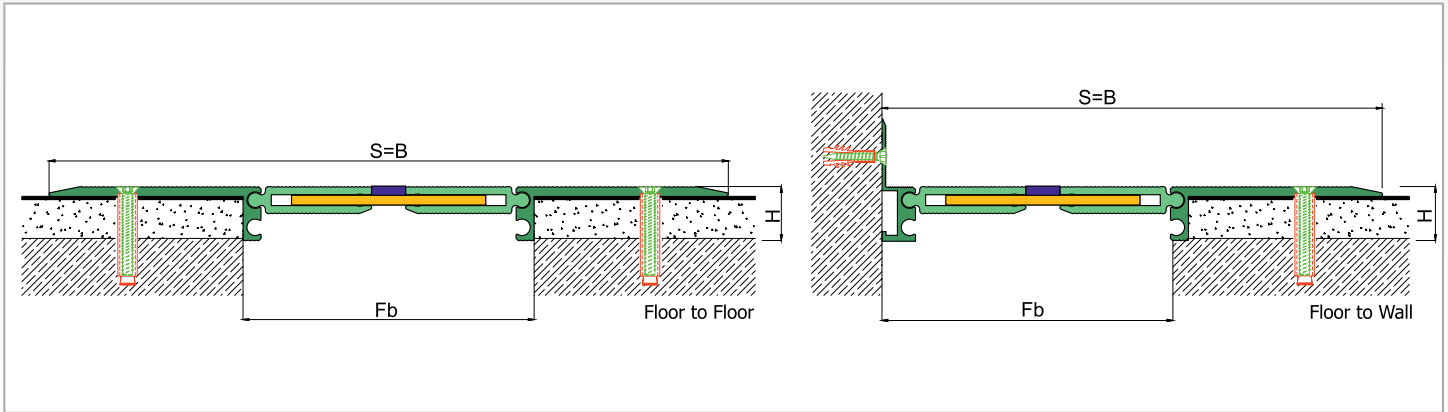
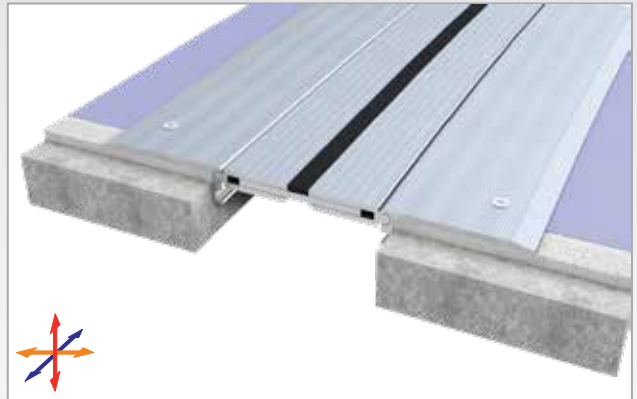
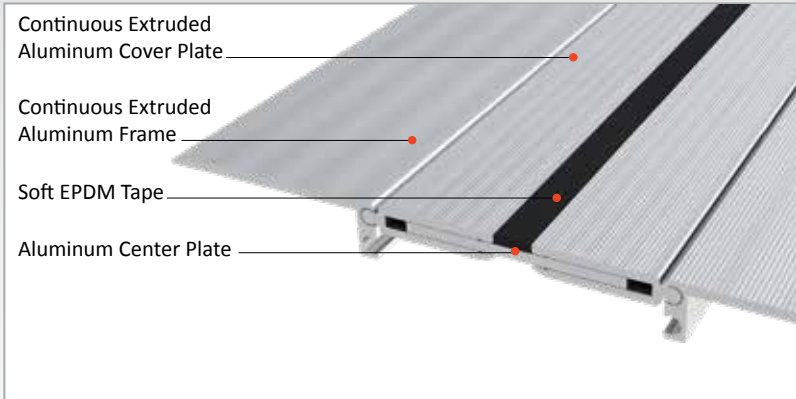


AS U241 surface mounted floor profile is applicable to all types of floors and load bearing capacity is designed for cars. Pure metal structure characterizes AS U241, as a hardwearing & maintenance free profile, is ideal also for the places with heavy pedestrian traffic. Round-headed articulated design enables the profile to meet displacements in 3 directions. Quite wide designed frames make AS U241 ideal for wavelike joints and striated surface ensures antislip. For flush mounted applications AS A227 model is available. Profiles are delivered factory-assembled.



- Application Areas** : Indoor & Outdoor / Floor
- Ideal for** : Car Parks, Shopping Malls, Airports, Residences, Hospitals, Commercial & Public Buildings etc.
- Material** : Mill Finish Aluminum (Anodizing optional), Soft EPDM Tape
- Aluminum Alloy** : EN AW 6063
- Optional Supplies** : Fire Barrier, Waterproof EPDM membrane

**20**  
km/h

FLOOR



\* Visuals are representative and the profile configuration may differ depending on the characteristics requested.

LOCATION	MODEL	GAP (Fb) mm	HEIGHT (H) MM	OVERALL WIDTH (B) mm	VISIBLE WIDTH (S) mm	MOVEMENT (W) mm	LOAD CAPACITY	STANDARD LENGTH (mt)
Floor to Floor	AS U241-100	100	28	300	300	± 8		3
	AS U241-120	120	28	320	320	± 10		3
	AS U241-150	150	28	350	350	± 14		3
	AS U241-180	180	28	380	380	± 16		3
	AS U241-200	200	28	400	400	+18 / -10		3

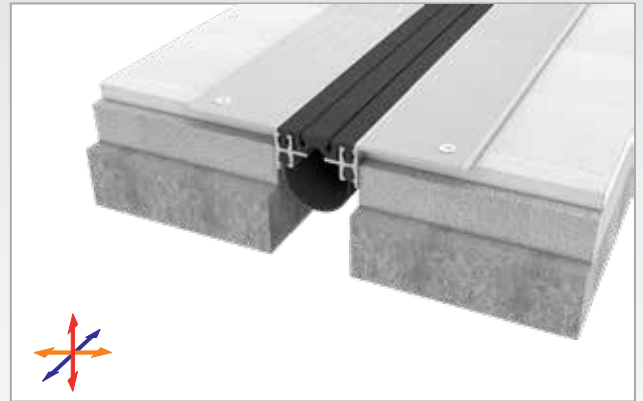
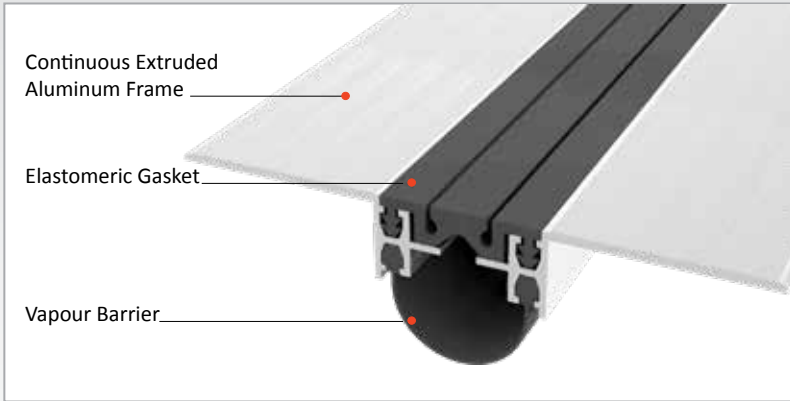
Note: Please ask for different sizes



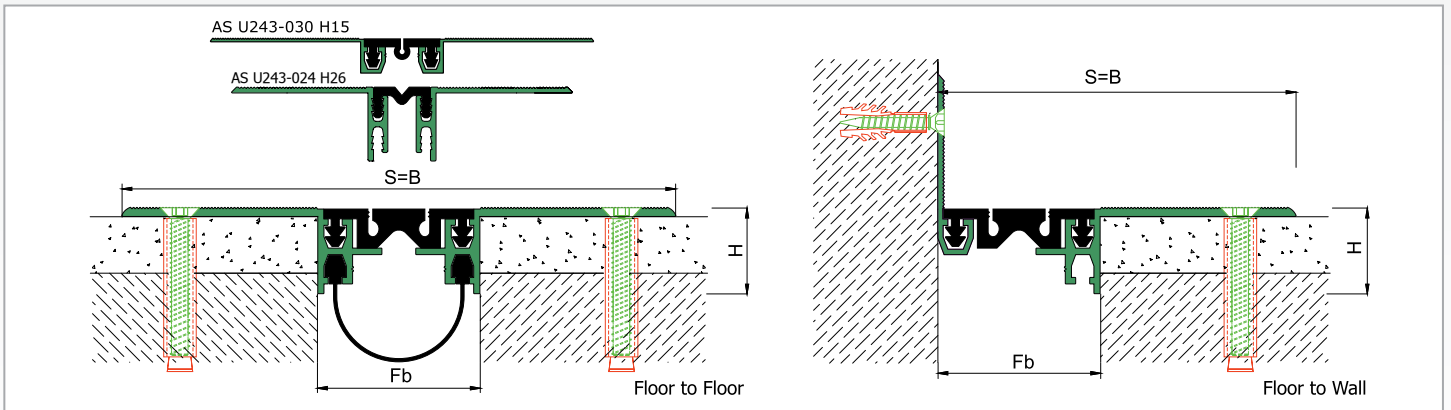
AS U243 surface mounted floor profile is applicable to all types of floors and load bearing capacity is designed for pedestrians or cars depending on the gap inquired. Push-down elastomeric gasket can quickly be placed into the slot and changed without demounting the profile. Smooth type gasket is available for 30 & 50 mm gaps but with less movement capability compared to grooved type. Two-way designed gasket slot lets the profile to be applied surface or flush mounted for some gaps. Striated surface ensures antislip.

- Application Areas** : Indoor & Outdoor / Floor  
**Ideal for** : Car Parks, Shopping Malls, Airports, Residences, Hospitals, Commercial & Public Buildings etc.  
**Material** : Mill Finish Aluminum (Anodizing optional), EPDM (Only in Black Color) or TPE Gasket  
**Aluminum Alloy** : EN AW 6063  
**Optional Supplies** : Fire Barrier, Waterproof EPDM membrane, Vapour Barrier

**20**  
 km/h



**FLOOR**



\* Visuals are representative and the profile configuration may differ depending on the characteristics requested.

GASKET COLORS: **BLACK** (highlighted), GREY, BEIGE, Custom Colors available.

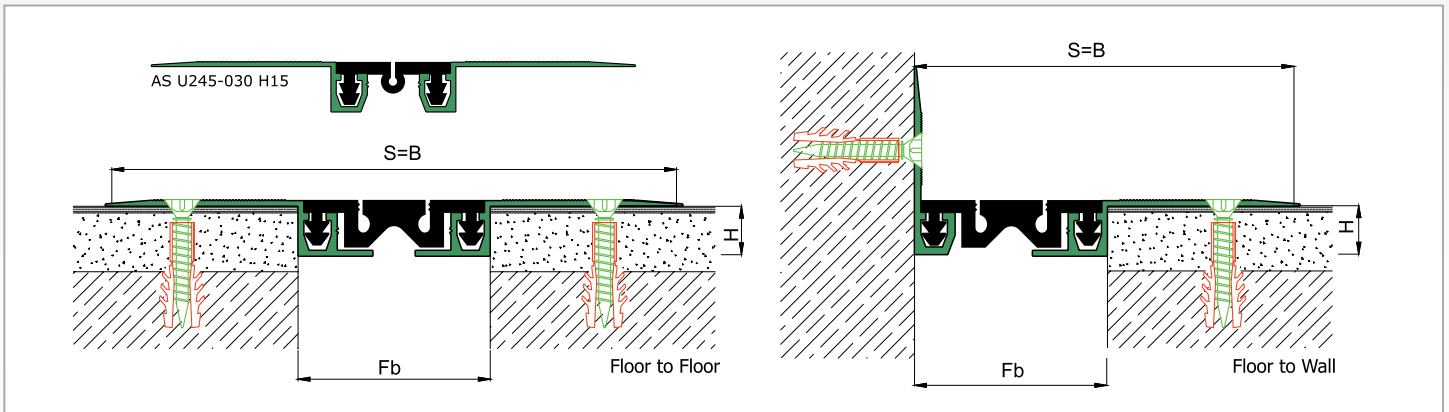
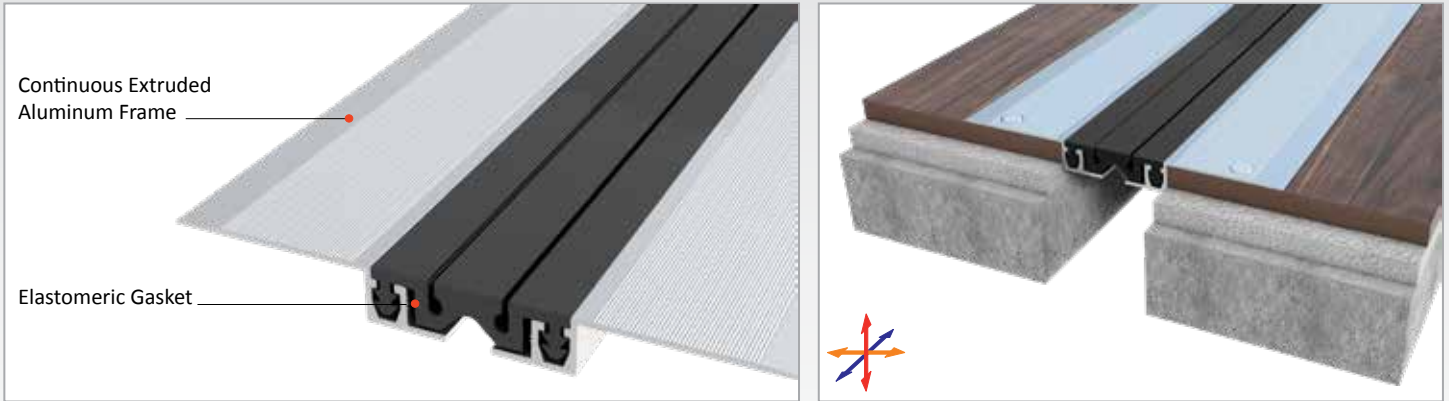
LOCATION	MODEL	GAP (Fb) mm	HEIGHT (H) MM	OVERALL WIDTH (B) mm	VISIBLE WIDTH (S) mm	MOVEMENT (W) mm	LOAD CAPACITY	STANDARD LENGTH (mt)
Floor to Floor	AS U243-024	24	26	120	120	± 4		3
	AS U243-030	30	15	150	150	± 5		3
	AS U243-030	30	26	150	150	± 5		3
	AS U243-050	50	15	170	170	± 7		3
	AS U243-050	50	26	170	170	± 7		3
	AS U243-050	50	27	170	170	± 7		3
	AS U243-080	80	15	200	200	± 10		3
	AS U243-080	80	30	200	200	± 10		3
	AS U243-100	100	15	226	226	± 14		3
	AS U243-100	100	30	226	226	± 14		3

Note: Please ask for different sizes

AS U245 surface mounted floor profile is applicable to all types of floors and load bearing capacity is designed for pedestrians. Push-down elastomeric gasket can quickly be placed into the slot and changed without demounting the profile. Smooth type gasket is available for 30 & 50 mm gaps but with less movement capability compared to grooved type. Striated surface ensures antislip and chamfered design provides a smooth transition.

- Application Areas** : Indoor & Outdoor / Floor
- Ideal for** : Residences, Offices etc.
- Material** : Mill Finish Aluminum (Anodizing optional), EPDM (Only in Black Color) or TPE Gasket
- Aluminum Alloy** : EN AW 6063
- Optional Supplies** : Fire Barrier, Waterproof EPDM membrane, Vapour Barrier

FLOOR



\* Visuals are representative and the profile configuration may differ depending on the characteristics requested.

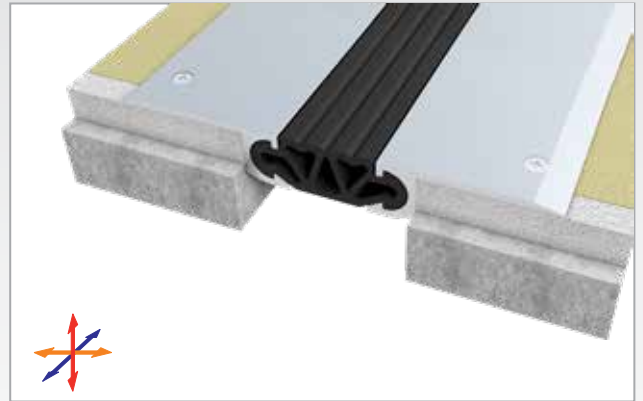
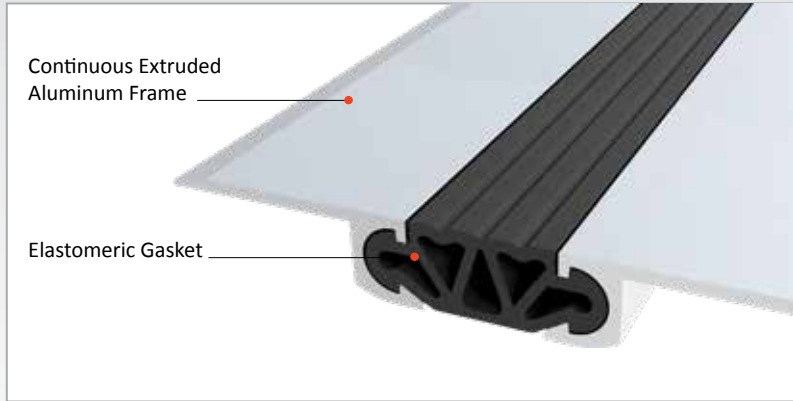


LOCATION	MODEL	GAP (Fb) mm	HEIGHT (H) MM	OVERALL WIDTH (B) mm	VISIBLE WIDTH (S) mm	MOVEMENT (W) mm	LOAD CAPACITY	STANDARD LENGTH (mt)
Floor to Floor	AS U245-030	30	15	127	127	± 5		3
	AS U245-050	50	15	147	147	± 7		3

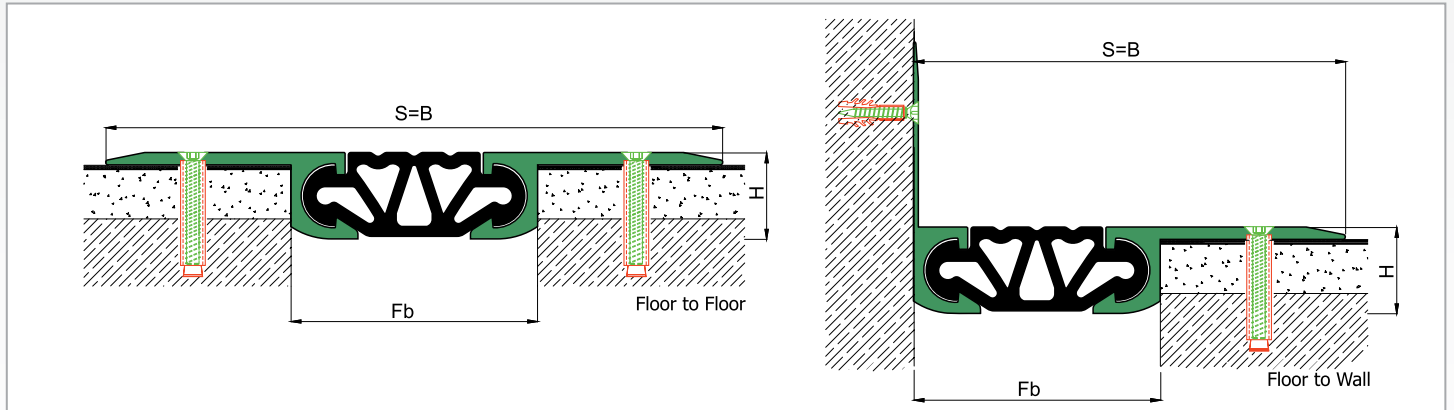
Note: Please ask for different sizes

AS U260 surface mounted profile is applicable to all types of floors and load bearing capacity is designed for heavy vehicles or cars depending on the joint width. Chamfered side frames provide a smooth transition and striated surface ensures antislip. Especially recommended for the places where heavy duty profile with gasket is inquired. For flush mounted applications AS A261 is available.

- Application Areas** : Indoor & Outdoor / Floor
- Ideal for** : Factories, Warehouses, Car Parks, Airports etc.
- Material** : Mill Finish Aluminum (Anodizing optional), EPDM Gasket
- Aluminum Alloy** : EN AW 6063
- Optional Supplies** : Fire Barrier, Waterproof EPDM membrane



FLOOR



\* Visuals are representative and the profile configuration may differ depending on the characteristics requested.

GASKET COLOR **BLACK**

LOCATION	MODEL	GAP (Fb) mm	HEIGHT (H) MM	OVERALL WIDTH (B) mm	VISIBLE WIDTH (S) mm	MOVEMENT (W) mm	LOAD CAPACITY	STANDARD LENGTH (mt)
Floor to Floor	AS U260-080	80	35	230	230	+4 / -8	35 kN  300 kN	3
	AS U260-100	100	35	250	250	+10 / -15	300 kN	3
	AS U260-150	150	40	330	330	+15 / -20		3

Note: Please ask for different sizes



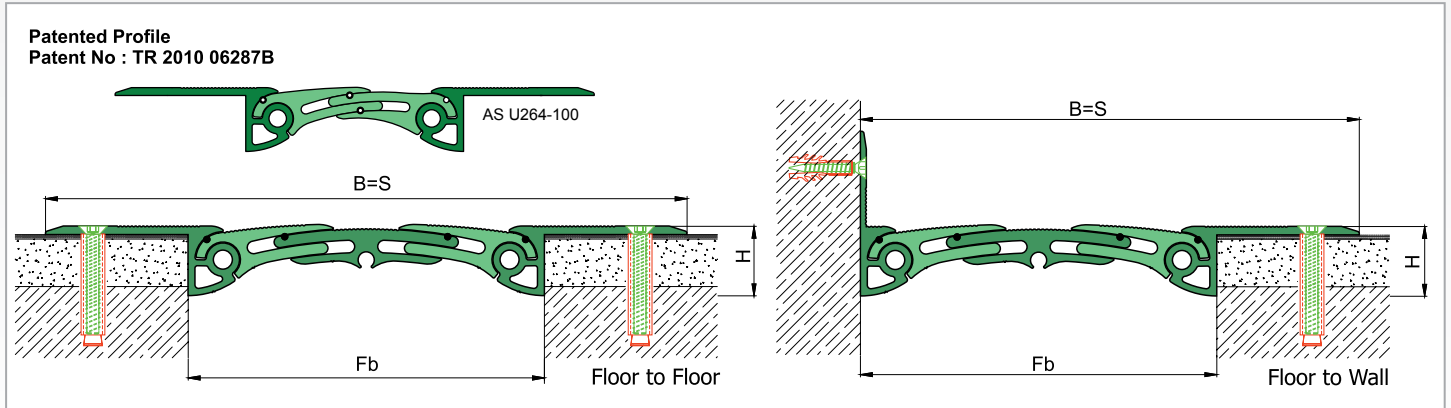
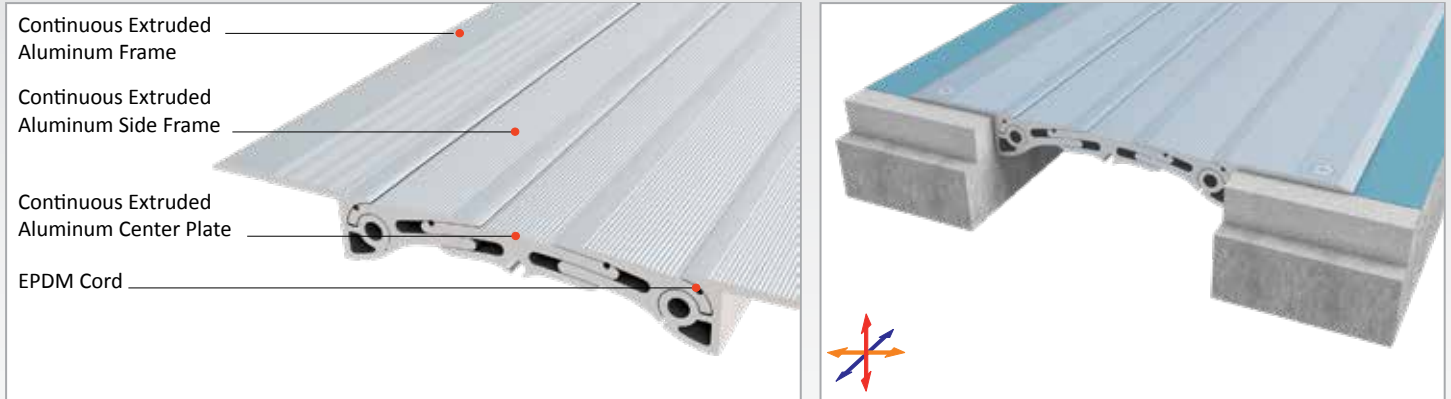


AS U264 is Asteknik's patented profile ( Patent No: TR 2010 06287B) and designed for extreme heavy duty use. Thanks to arch shape which lets it to resist to more load than other surface mounted heavy duty profiles and secures a smooth transition for the vehicles. Pure metal structure characterizes AS U264 to be a hardwearing and maintenance free profile. Hinged & sliding profile design enables the profile to meet the displacements in 3 directions. EPDM cords placed between side frames and center plate eliminate metal stroking noise. Profiles are delivered factory-assembled.

- Application Areas** : Indoor & Outdoor / Floor
- Ideal for** : Factories, Warehouses, Car Parks, Airports, Shopping Malls etc.
- Material** : Mill Finish Aluminum (Anodizing optional), EPDM Cord
- Aluminum Alloy** : EN AW 6063
- Optional Supplies** : Fire Barrier, Waterproof EPDM membrane



FLOOR



\* Visuals are representative and the profile configuration may differ depending on the characteristics requested.

LOCATION	MODEL	GAP (Fb) mm	HEIGHT (H) MM	OVERAL WIDTH (B) mm	VISIBLE WIDTH (S) mm	MOVEMENT (W) mm	LOAD CAPACITY	STANDARD LENGTH (mt)
Floor to Floor	AS U264-100	100	30	220	220	± 12	70 kN  600 kN	3
	AS U264-120	120	30	240	240	± 16	35 kN  300 kN	3
	AS U264-150	150	30	270	270	+12 / -22	25 kN  120 kN	3
	AS U264-225	225	30	345	345	± 30		3

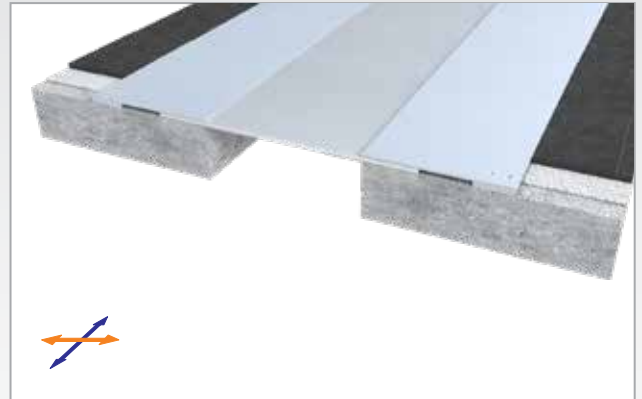
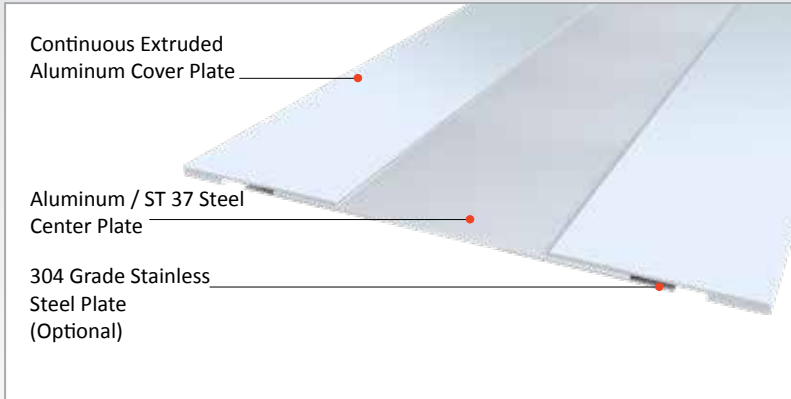
Note: Please ask for different sizes



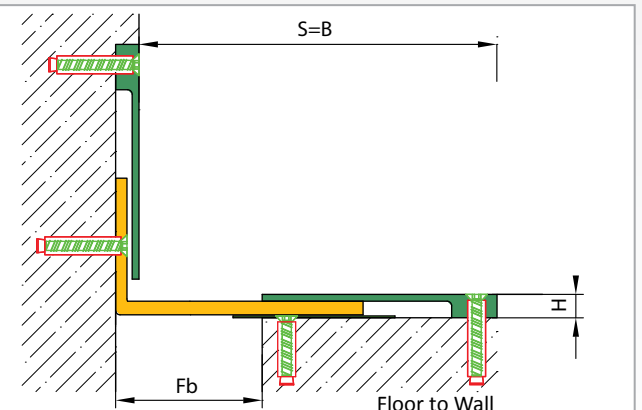
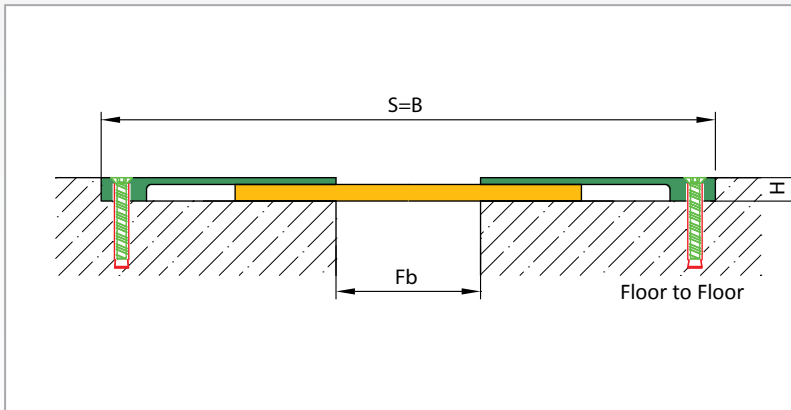
AS A204 flush mounted profile can be applied to all types of floors and load bearing capacity is designed for pedestrians and cars. Easy installation, pure metal structure, maintenance-free and wear resistance properties make it favorable for places with heavy pedestrian traffic. Base frames of the profile are fixed on the surface and movable center plate meets horizontal and lateral shear displacements.

- Application Areas** : Indoor & Outdoor / Floor  
**Ideal for** : Car Parks, Airports, Shopping Malls, Residences, Hospitals, Hotels, Commercial and Public Buildings etc.  
**Material** : Mill Finish Aluminum (Anodizing optional), Primer Coated ST 37 Steel, Stainless Steel (Optional)  
**Aluminum Alloy** : EN AW 6063  
**Optional Supplies** : Fire Barrier, Waterproof EPDM membrane

20  
km/h



FLOOR



\* Visuals are representative and the profile configuration may differ depending on the characteristics requested.

LOCATION	MODEL	GAP (Fb) mm	HEIGHT (H) MM	OVERALL WIDTH (B) mm	VISIBLE WIDTH (S) mm	MOVEMENT (W) mm	LOAD CAPACITY	STANDARD LENGTH (mt)
Floor to Floor	AS A204-100	100	10	430	430	±80		3
	AS A204-150	150	10	480	480	±100		3
	AS A204-200	200	10	530	530	±100		3
	AS A204-250	250	10	580	580	±100		3

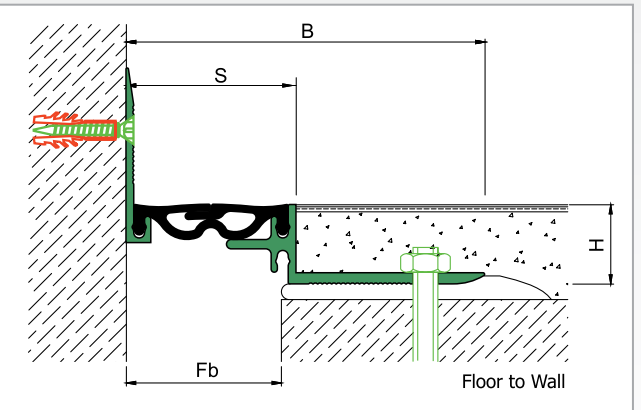
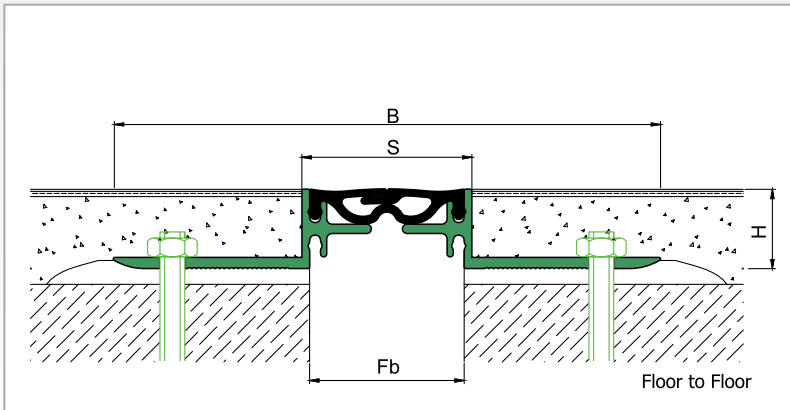
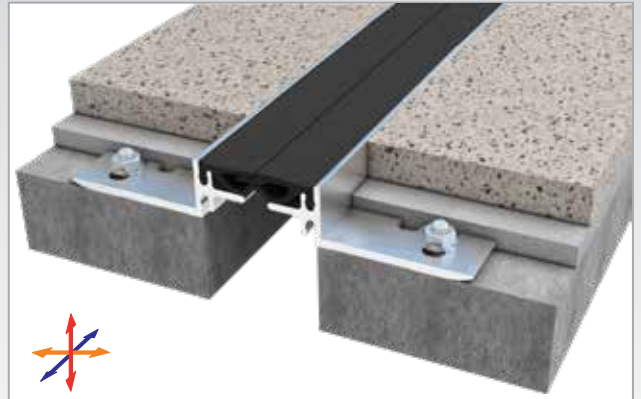
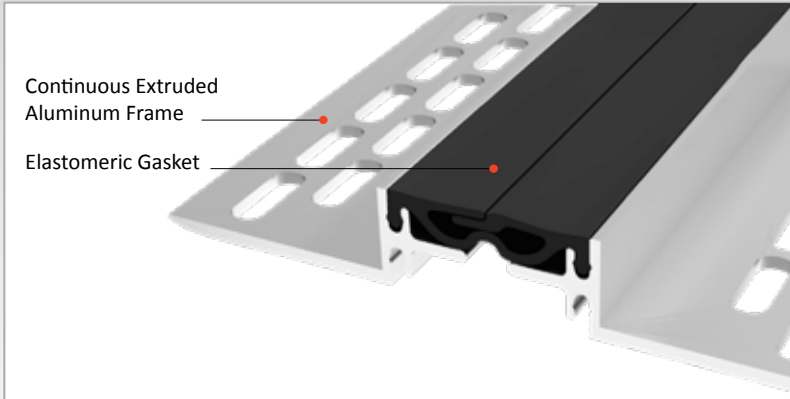
Note: Please ask for different sizes

AS A208 flush mounted profile is applicable to all types of floors and load bearing capacity is designed for cars. Push-down gasket can quickly be placed into the slot and can be changed in a very easy way, if it's needed. Special gasket design gains the profile high movement ability and prevents accumulation of dirt. Two-way designed gasket slot lets the profile to applied surface or flush mounted. Profiles are applied with single or double gaskets depending on the joint width and can be installed in an easy, quick and secured way due to punched base frame.

- Application Areas** : Indoor & Outdoor / Floor
- Ideal for** : Car Parks, Shopping Malls, Airports, Residences, Hospitals, Hotels, Commercial & Public Buildings etc.
- Material** : Mill Finish Aluminum (Anodizing optional), PVC Gasket
- Aluminum Alloy** : EN AW 6063
- Optional Supplies** : Fire Barrier, Waterproof EPDM membrane

**20**  
km/h

FLOOR



\* Visuals are representative and the profile configuration may differ depending on the characteristics requested.

GASKET COLORS: **BLACK** GREY BEIGE Custom Colors available.

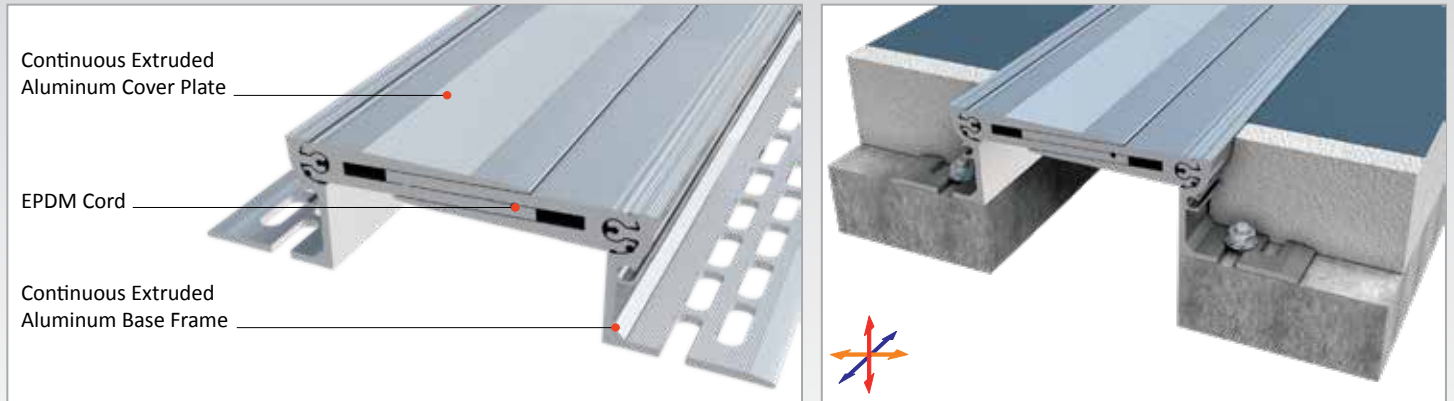
LOCATION	MODEL	GAP (Fb) mm	HEIGHT (H) MM	OVERALL WIDTH (B) mm	VISIBLE WIDTH (S) mm	MOVEMENT (W) mm	LOAD CAPACITY	STANDARD LENGTH (mt)
Floor to Floor	AS A208-050	50	26	177	55	± 10		3
	AS A208-075	75	32	202	80	± 17		3
	AS A208-100	100	32	229	107	+12 / -20		3

Note: Please ask for different sizes

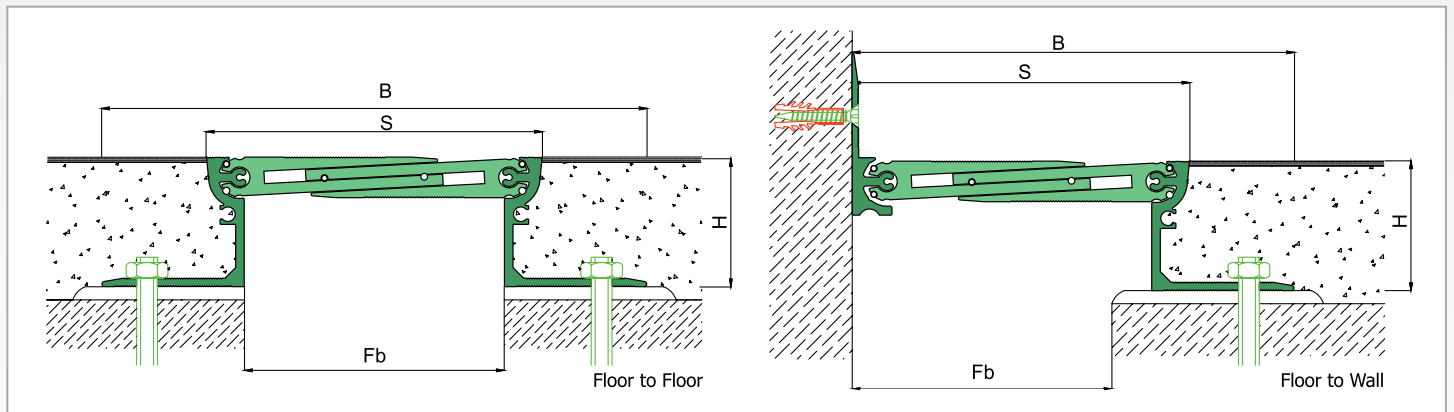
AS A224 flush mounted floor profile is applicable to all types of floors and load bearing capacity is designed for heavy vehicles. Pure metal structure characterizes AS A224 as a hardwearing & maintenance free profile and makes it ideal also for the places with heavy pedestrian traffic. Round-headed articulated design and freely moving center pieces enables the profile to meet displacements in 3 directions. Striated surface finish ensures antislip while EPDM cords placed between the profiles eliminate metal stroking noise and minimize liquid leakage risk. Quite wide designed punched base frame lets the profile to be installed in an easy, quick and secured way. Profiles are delivered factory-assembled.

- Application Areas** : Indoor & Outdoor / Floor
- Ideal for** : Factories, Warehouses, Car Parks, Airports, Shopping Malls, Commercial & Public Buildings etc.
- Material** : Mill Finish Aluminum (Anodizing optional), EPDM Cord
- Aluminum Alloy** : EN AW 6063
- Optional Supplies** : Fire Barrier, Waterproof EPDM membrane

**10**  
km/h



**FLOOR**



\* Visuals are representative and the profile configuration may differ depending on the characteristics requested.

LOCATION	MODEL	GAP (Fb) mm	HEIGHT (H) MM	OVERALL WIDTH (B) mm	VISIBLE WIDTH (S) mm	MOVEMENT (W) mm	LOAD CAPACITY	STANDARD LENGTH (mt)
Floor to Floor	AS A224-100	100	50 / 60*	210	130	± 16	35 kN  90 kN	3
	AS A224-120*	120	35 / 50 / 70	230	150	± 20	25 kN  50 kN	3
	AS A224-150	150	50	280	180	± 22	25 kN  50 kN	3
	AS A224-150	150	65	330	196	± 25	65 kN  300 kN	3

Note: Please ask for different sizes

\* Limited with the stocks

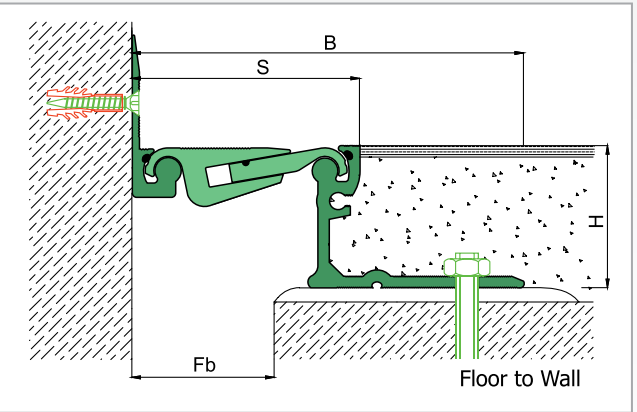
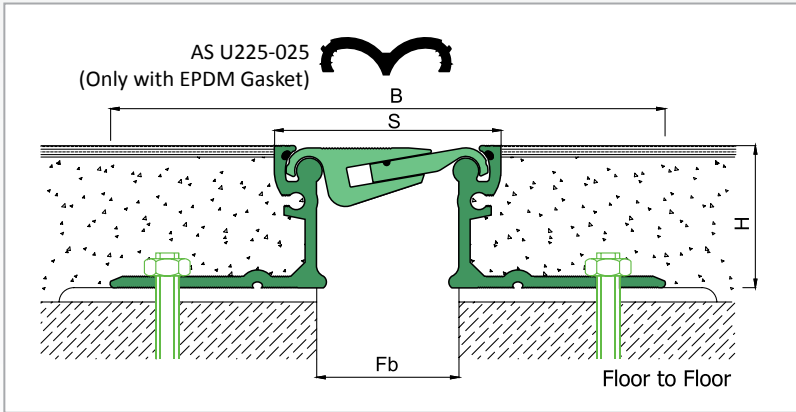
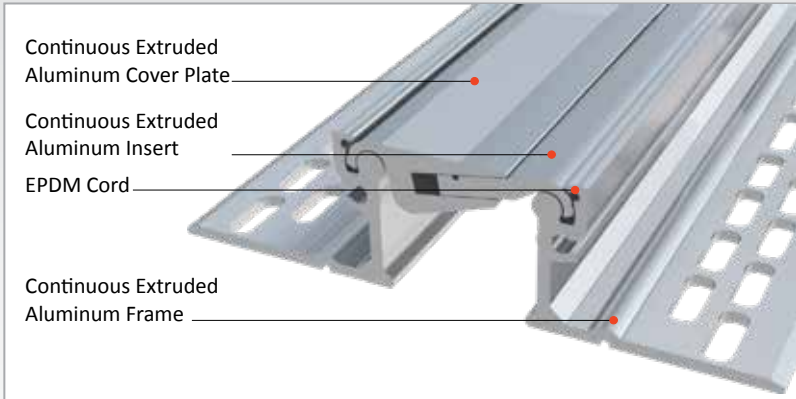


AS A225 profile is particularly designed for areas with heavy vehicle traffic. Pure metal structure characterizes AS A225 as a hardwearing & maintenance free profile. Hinged profile system and freely moving center pieces let the profile to meet displacements in 3 directions. Striated profile surface prevents slipping while the EPDM cords placed between the profiles eliminate metal stroking noise and minimize liquid leakage risk. Quite wide designed punched base frame lets the profile to be installed in an easy, quick and secured way. As pure metal profiles can not function in very narrow gaps, AS A225-025 profile with elastomeric gasket is designed and can be applied to gaps up to 25 mm. For surface mounted applications, AS U235 model is recommended. Profiles are delivered factory-assembled.

- Application Areas** : Indoor & Outdoor / Floor  
**Ideal for** : Factories, Warehouses, Car Parks, Airports, Shopping Malls, Commercial & Public Buildings etc.  
**Material** : Mill Finish Aluminum (Anodizing optional), EPDM Cord; EPDM Gasket ( Only AS A225-025 )  
**Aluminum Alloy** : EN AW 6063  
**Optional Supplies** : Fire Barrier, Waterproof EPDM membrane

**10**  
 km/h

FLOOR



\* Visuals are representative and the profile configuration may differ depending on the characteristics requested.

LOCATION	MODEL	GAP (Fb) mm	HEIGHT (H) MM	OVERALL WIDTH (B) mm	VISIBLE WIDTH (S) mm	MOVEMENT (W) mm	LOAD CAPACITY	STANDARD LENGTH (mt)
Floor to Floor	AS A225-025	25	25/30/38*/50/70	170	55	+10 / -5	25 kN  120 kN	3
	AS A225-035	35	25/30/38*/50/70	183	68	±5	25 kN  300 kN	3
	AS A225-050	50	25/30/38*/50/70	195	80	±8	70 kN  300 kN	3
	AS A225-070	70	25/30/38*/50/70	215	100	±10	70 kN  300 kN	3
	AS A225-100	100	25/30/38*/50/70	245	130	±14	70 kN  300 kN	3

Note: Please ask for different sizes

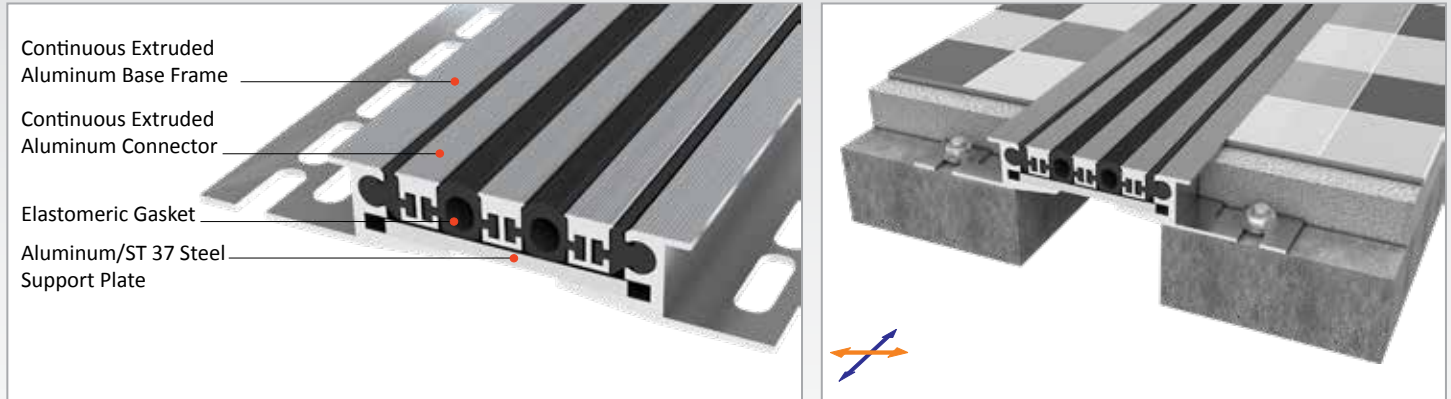
\* Limited with the stocks



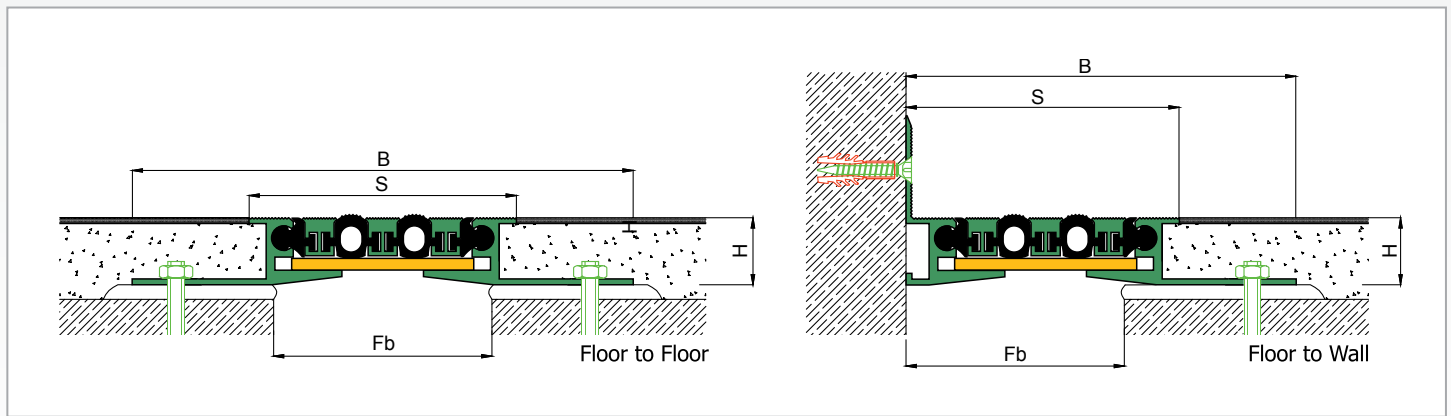
AS A226 flush mounted floor profiles are designed for cars or pedestrians depending on the gap inquired and can easily be applied to all types of floors. Adjustable interlocking profile and gasket configuration makes them available for gaps up to 200 mm and enables to meet horizontal & lateral movements. Profiles higher than 28 mm can be manufactured heavy duty class. If inquired, AS A226 is able to be applied with wall type AS A126 and this dual application brings in a decorative aspect. Profiles are delivered factory-assembled.

- Application Areas** : Indoor & Outdoor / Floor
- Ideal for** : Shopping Malls, Airports, Residences, Hospitals, Hotels, Public & Commercial Buildings etc.
- Material** : Mill Finish Aluminum (Anodizing optional), EPDM (Only in Black Color) or TPE Gasket, Primer Coated ST 37 Steel
- Aluminum Alloy** : EN AW 6063
- Optional Supplies** : Fire Barrier, Waterproof EPDM membrane

**20**  
km/h



**FLOOR**



\* Visuals are representative and the profile configuration may differ depending on the characteristics requested.

GASKET COLORS: **BLACK** GREY BEIGE Custom Colors available.

LOCATION	MODEL	GAP (Fb) mm	HEIGHT (H) MM	OVERALL WIDTH (B) mm	VISIBLE WIDTH (S) mm	MOVEMENT (W) mm	LOAD CAPACITY	STANDARD LENGTH (mt)
Floor to Floor	AS A226-030	30	15	128	48	± 2	Person	3
	AS A226-050	50	15	148	68	± 4	Person	3
	AS A226-050	50	23	148	68	± 4	Car	3
	AS A226-075	75	23	190	110	± 8	Car	3
	AS A226-100	100	24 / 50	212 / 208	130 / 108	± 10	Car	3
	AS A226-120	120	24 / 50	232 / 230	150 / 129	± 12	Car	3
	AS A226-160	160	24 / 50	278 / 274	195 / 174	± 16	Person	3
	AS A226-180	180	24 / 50	298 / 294	215 / 194	± 18	Person	3
	AS A226-200	200	24 / 50	320 / 314	237 / 214	± 20	Person	3

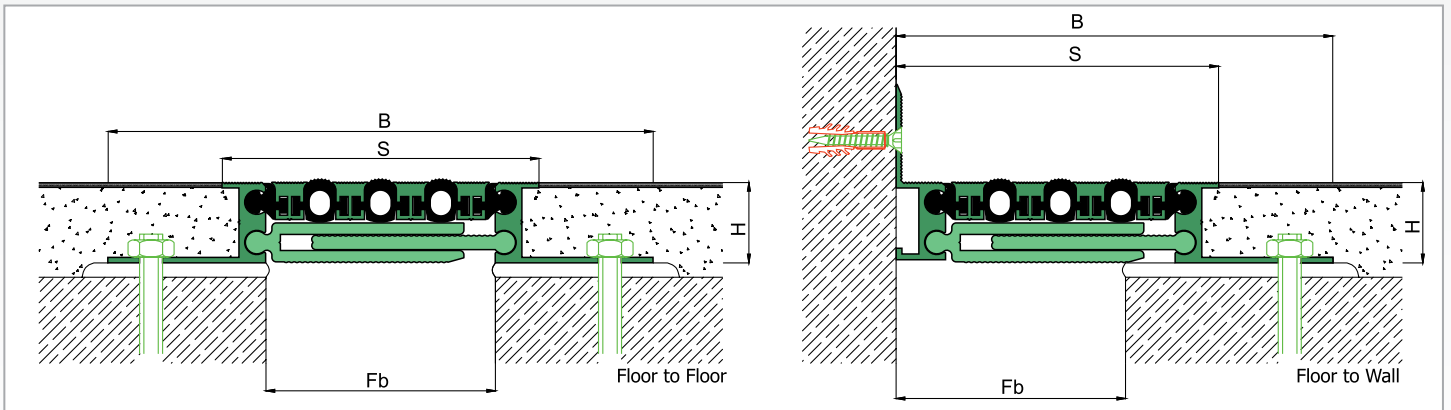
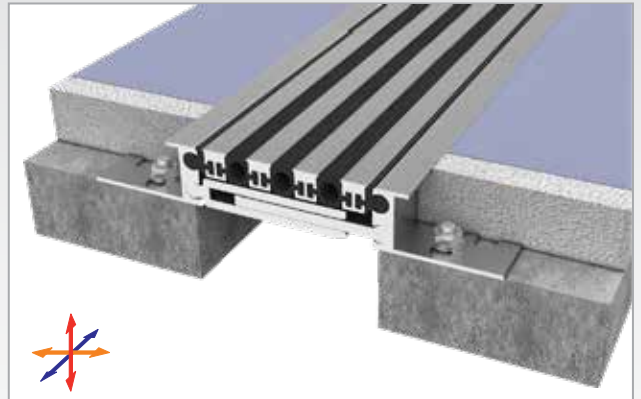
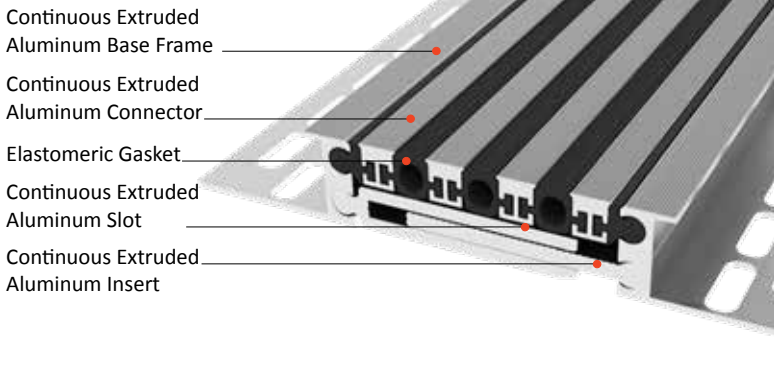
Note: Please ask for different sizes

AS A226 flush mounted profile can easily be applied to all types of floors and load bearing capacity is designed for cars or pedestrians depending on the gap inquired. Adjustable interlocking profile and gasket configuration makes it available for very large openings and enables to meet displacements in 3 directions. If inquired, AS A226 can be applied with wall type AS A126 and this dual application brings in a decorative aspect. Profiles are delivered factory-assembled.

- Application Areas** : Indoor & Outdoor / Floor  
**Ideal for** : Car Parks, Shopping Malls, Airports, Residences, Hospitals, Hotels, Public & Commercial Buildings etc.  
**Material** : Mill Finish Aluminum (Anodizing optional), EPDM (Only in Black Color) or TPE Gasket, Primer Coated ST 37 Steel  
**Aluminum Alloy** : EN AW 6063  
**Optional Supplies** : Fire Barrier, Waterproof EPDM membrane

**20**  
km/h

**FLOOR**



\* Visuals are representative and the profile configuration may differ depending on the characteristics requested.



LOCATION	MODEL	GAP (Fb) mm	HEIGHT (H) MM	OVERALL WIDTH (B) mm	VISIBLE WIDTH (S) mm	MOVEMENT (W) mm	LOAD CAPACITY	STANDARD LENGTH (mt)
Floor to Floor	AS A226-040	40	28	150	70	± 4		3
	AS A226-060	60	28	170	90	± 6		3
	AS A226-080	80	28	190	110	± 8		3
	AS A226-100	100	28	210	130	± 10		3
	AS A226-120	120	28	230	150	± 12		3
	AS A226-140	140	28	253	174	± 14		3
	AS A226-160	160	28	275	196	± 16		3
	AS A226-180	180	28	296	216	± 18		3
	AS A226-200	200	28	317	238	± 20		3

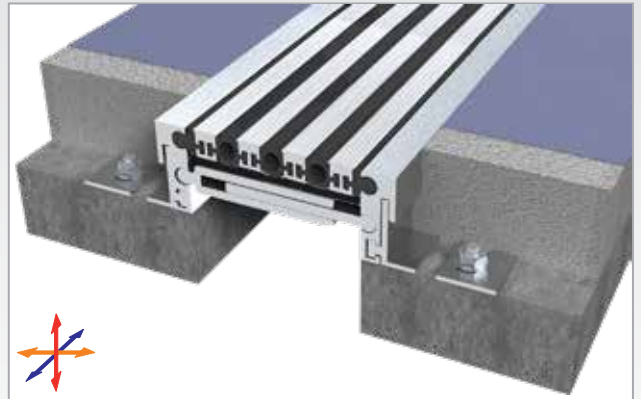
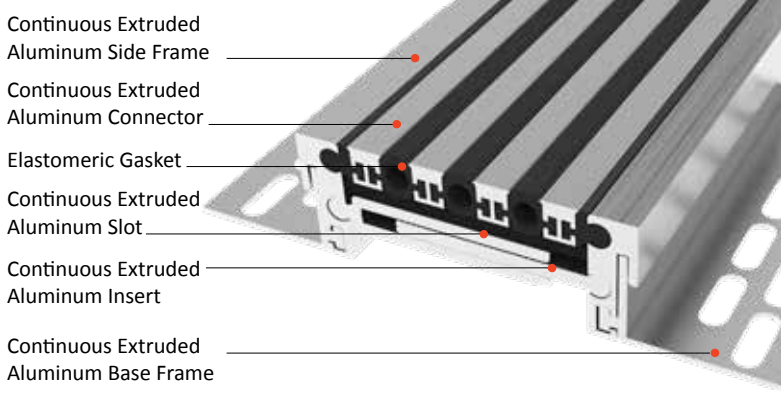
Note: Please ask for different sizes



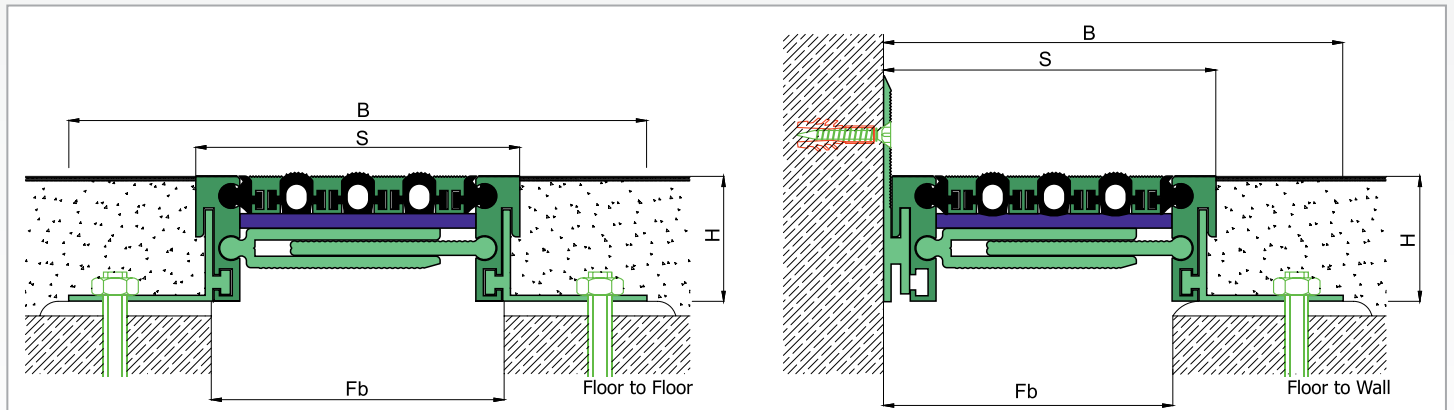


AS A226 flush mounted profiles can easily be applied to all types of floors and load bearing capacities are designed for heavy vehicles, cars or pedestrians depending on the gap inquired. Adjustable interlocking profile and gasket configuration makes it available for very large openings and enables to meet displacements in 3 directions. If inquired, AS A226 can be applied with wall type AS A126 and this dual application brings in a decorative aspect. Profiles are delivered factory-assembled.

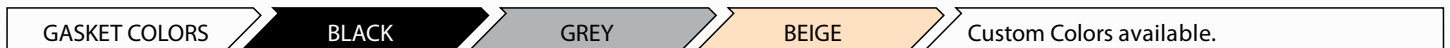
- Application Areas** : Indoor & Outdoor / Floor
- Ideal for** : Factories, Warehouses, Car Parks, Shopping Malls, Airports, Residences, Hospitals, Hotels, Public & Commercial Buildings etc.
- Material** : Mill Finish Aluminum (Anodizing optional), EPDM (Only in Black Color) or TPE Gasket, Primer Coated ST 37 Steel
- Aluminum Alloy** : EN AW 6063
- Optional Supplies** : Fire Barrier, Waterproof EPDM membrane



FLOOR



\* Visuals are representative and the profile configuration may differ depending on the characteristics requested.



LOCATION	MODEL	GAP (Fb) mm	HEIGHT (H) MM	OVERALL WIDTH (B) mm	VISIBLE WIDTH (S) mm	MOVEMENT (W) mm	LOAD CAPACITY	STANDARD LENGTH (mt)
Floor to Floor	AS A226-035	35	43 / 88	157 / 135	69 / 48	± 2	70 kN  300 kN	3
	AS A226-050	50	43 / 88	178 / 158	90 / 70	± 4	35 kN  120 kN	3
	AS A226-080	80	43 / 88	202 / 180	114 / 92	± 6	25 kN  60 kN	3
	AS A226-100	100	43 / 88	224 / 200	136 / 112	± 8		3
	AS A226-120	120	43 / 88	220	133	± 10		3
	AS A226-140	140	43 / 88	240	153	± 12		3
	AS A226-160	160	43 / 88	268	180	± 14		3
	AS A226-180	180	43 / 88	280	193	± 16		3
	AS A226-200	200	43 / 88	305	218	± 18		3

Note: Please ask for different sizes

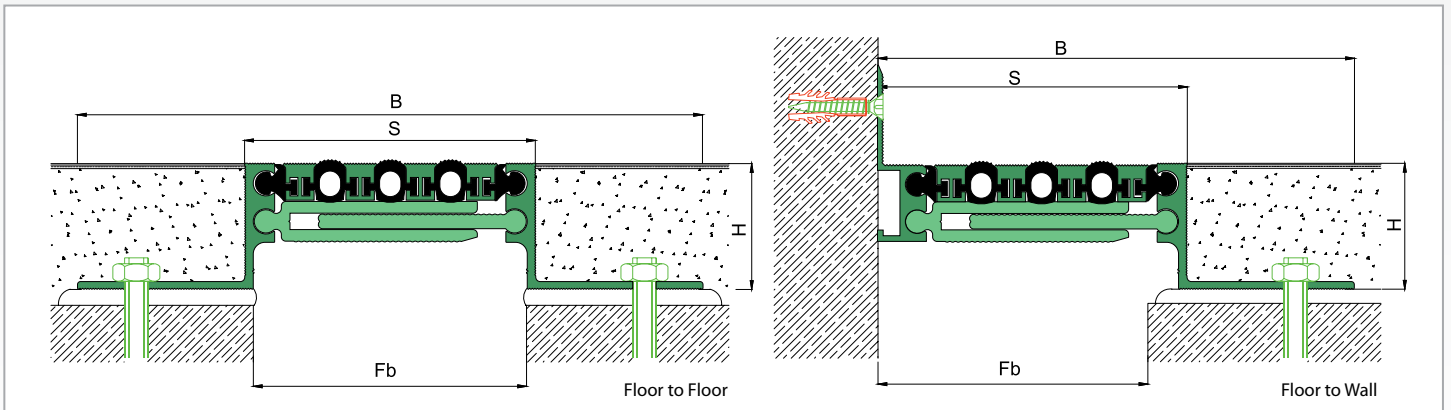
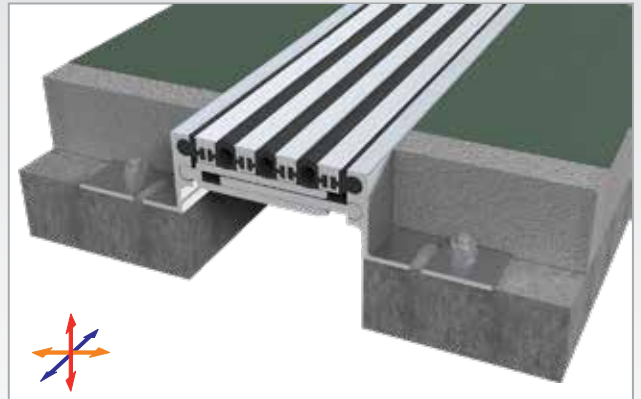
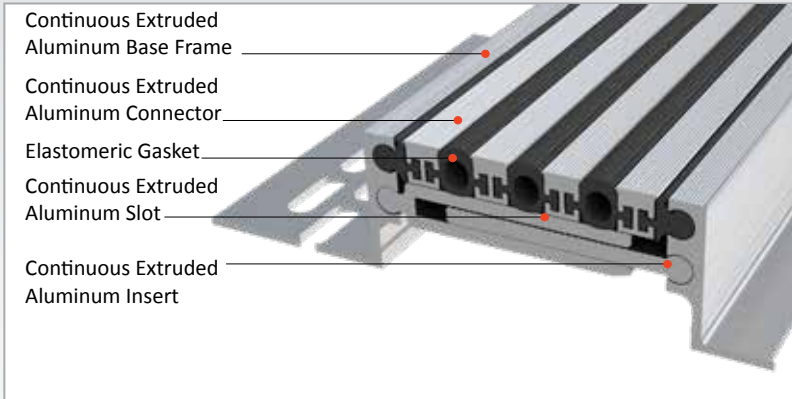


AS A226T flush mounted profiles can easily be applied to all types of floors and load bearing capacities are designed for heavy vehicles or cars depending on the gap inquired. Adjustable interlocking profile and gasket configuration makes it available for very large openings and enables to meet displacements in 3 directions. If inquired, AS A226T can be applied with wall type AS A126 and this dual application brings in a decorative aspect. Profiles are delivered factory-assembled.

- Application Areas** : Indoor & Outdoor / Floor  
**Ideal for** : Factories, Warehouses, Car Parks, Shopping Malls, Airports, Residences, Hospitals, Hotels, Public & Commercial Buildings etc.  
**Material** : Mill Finish Aluminum (Anodizing optional), EPDM (Only in Black Color) or TPE Gasket, Primer Coated ST 37 Steel  
**Aluminum Alloy** : EN AW 6063  
**Optional Supplies** : Fire Barrier, Waterproof EPDM membrane



FLOOR



\* Visuals are representative and the profile configuration may differ depending on the characteristics requested.



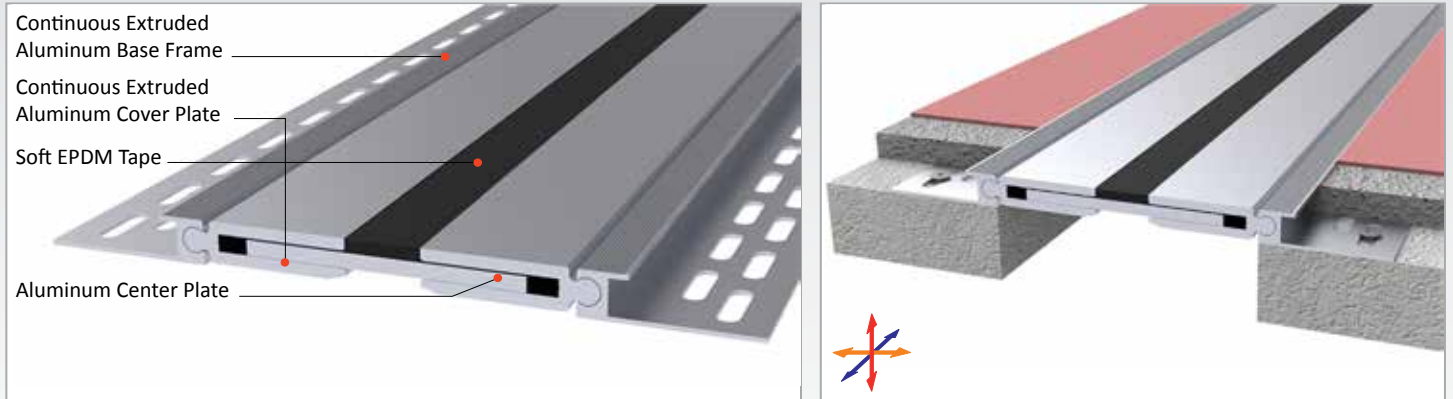
LOCATION	MODEL	GAP (Fb) mm	HEIGHT (H) MM	OVERALL WIDTH (B) mm	VISIBLE WIDTH (S) mm	MOVEMENT (W) mm	LOAD CAPACITY	STANDARD LENGTH (mt)
Floor to Floor	AS A226T-030	30	35 / 43 / 60	152	38	± 2	70 kN  300 kN	3
	AS A226T-050	50	35 / 43 / 60	174	60	± 4	35 kN  120 kN	3
	AS A226T-075	75	35 / 43 / 60	195	80	± 6	25 kN  60 kN	3
	AS A226T-100	100	35 / 43 / 60	216	102	± 8		3
	AS A226T-120	120	35 / 43 / 60	238	125	± 10		3
	AS A226T-140	140	35 / 43 / 60	260	145	± 12		3
	AS A226T-160	160	35 / 43 / 60	280	165	± 14		3
	AS A226T-180	180	35 / 43 / 60	300	185	± 16		3
	AS A226T-200	200	35 / 43 / 60	320	208	± 18		3

Note: Please ask for different sizes

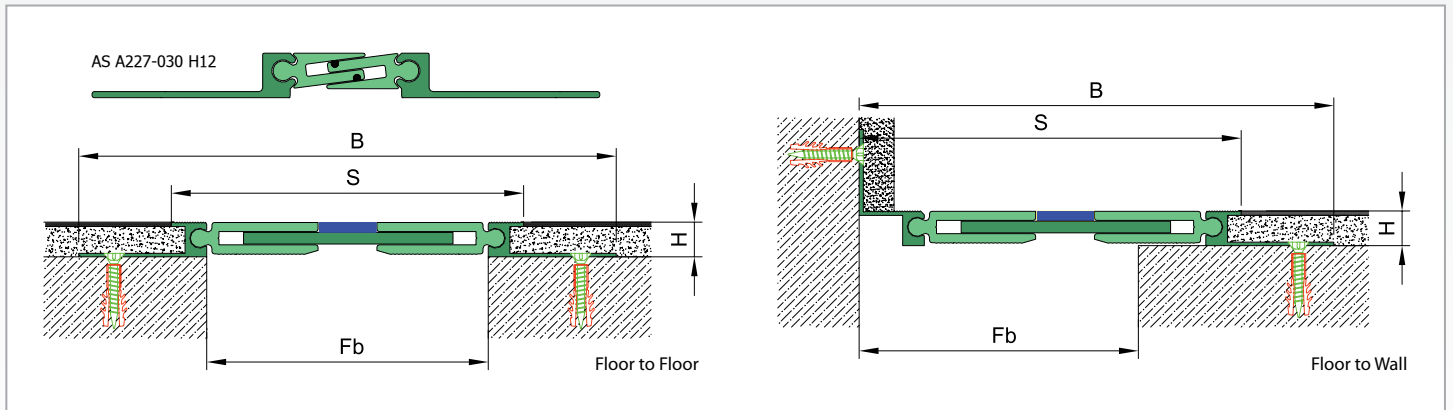


AS A227 flush mounted floor profile is applicable to all types of floors and load bearing capacity is designed for pedestrians. Pure metal structure characterizes AS A227 as a hardwearing & maintenance free profile and makes it ideal for the places with heavy pedestrian traffic. Round-headed articulated design enables the profile to meet displacements in 3 directions. Punched base frame lets the profile to be installed in an easy, quick and secured way. Profiles are delivered factory-assembled and for wide gaps soft EPDM tape is placed on the center plate to align the distance between the side frames. For surface mounted applications AS U237 model is available.

- Application Areas** : Indoor & Outdoor / Floor  
**Ideal for** : Shopping Malls, Airports, Residences, Hospitals, Hotels, Public & Commercial Buildings etc.  
**Material** : Mill Finish Aluminum (Anodizing optional), Soft EPDM tape  
**Aluminum Alloy** : EN AW 6063  
**Optional Supplies** : Fire Barrier, Waterproof EPDM membrane



**FLOOR**



\* Visuals are representative and the profile configuration may differ depending on the characteristics requested.

LOCATION	MODEL	GAP (Fb) mm	HEIGHT (H) MM	OVERALL WIDTH (B) mm	VISIBLE WIDTH (S) mm	MOVEMENT (W) mm	LOAD CAPACITY	STANDARD LENGTH (mt)
Floor to Floor	AS A227-030	30	12	137	45	±6	1 person	3
	AS A227-040	40	15	150	70	±8	1 person	3
	AS A227-060	60	15	172	92	±5	1 person	3
	AS A227-080	80	15	190	110	±12	1 person	3
	AS A227-100	100	15	210	130	±18	1 person	3
	AS A227-120	120	15	230	150	±10	1 person	3
	AS A227-140	140	15	250	170	±20	1 person	3
	AS A227-150	150	15	260	180	±20	1 person	3
	AS A227-180	180	15	290	210	±20	1 person	3
	AS A227-200	200	15	310	230	±30	1 person	3

Note: Please ask for different sizes

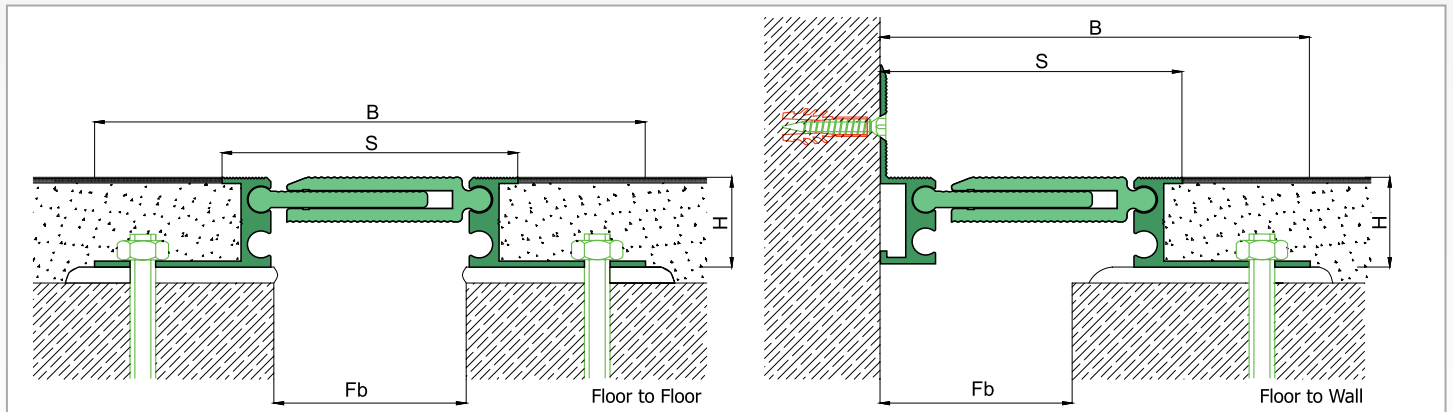
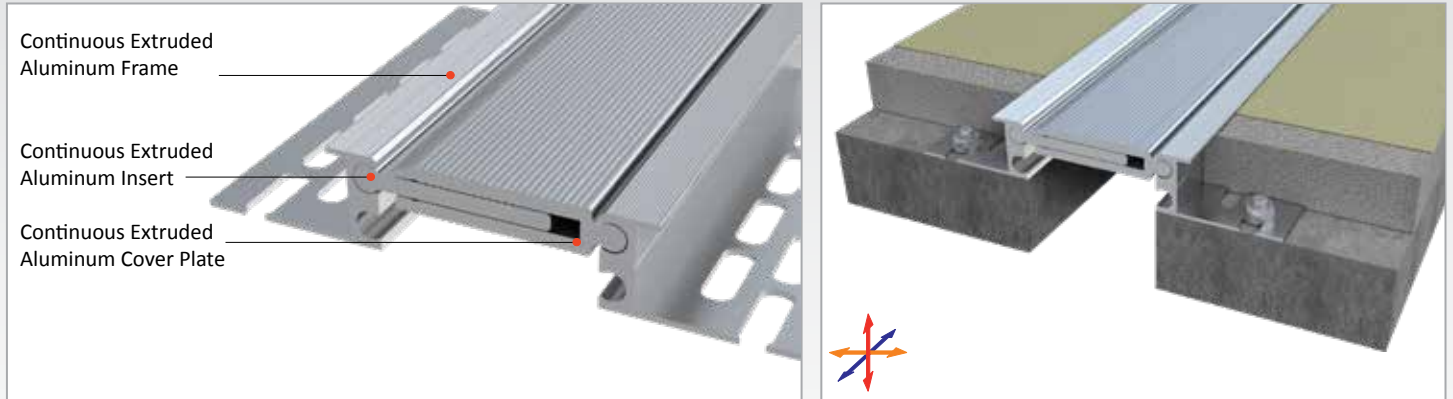


AS A227 flush mounted floor profile is applicable to all types of floors and load bearing capacity is designed for cars or pedestrians depending on the gap inquired. Pure metal structure characterizes AS A227 as a hardwearing & maintenance free profile and makes it ideal for the places with heavy pedestrian traffic. Round-headed articulated design enables the profile to meet displacements in 3 directions. Punched base frame lets the profile to be installed in an easy, quick and secured way. Profiles are delivered factory-assembled and for wide gaps soft EPDM tape is placed on the center plate to align the distance between the side frames. For surface mounted applications AS U237 model is available.

- Application Areas** : Indoor & Outdoor / Floor
- Ideal for** : Car Parks, Airports, Shopping Malls, Hospitals, Commercial & Public Buildings etc.
- Material** : Mill Finish Aluminum (Anodizing optional), Soft EPDM tape
- Aluminum Alloy** : EN AW 6063
- Optional Supplies** : Fire Barrier, Waterproof EPDM membrane

**20**  
km/h

**FLOOR**



\* Visuals are representative and the profile configuration may differ depending on the characteristics requested.

LOCATION	MODEL	GAP (Fb) mm	HEIGHT (H) MM	OVERALL WIDTH (B) mm	VISIBLE WIDTH (S) mm	MOVEMENT (W) mm	LOAD CAPACITY	STANDARD LENGTH (mt)
Floor to Floor	AS A227-040	40	28	150	70	± 8		3
	AS A227-060	60	28	172	92	± 5		3
	AS A227-080	80	28	190	110	± 12		3
	AS A227-100	100	28	210	130	± 17		3
	AS A227-120	120	28	230	150	± 10		3
	AS A227-140	140	28	250	170	± 20		3
	AS A227-150	150	28	260	180	± 20		3
	AS A227-180	180	28	290	210	± 20		3
	AS A227-200	200	28	310	230	± 30		3

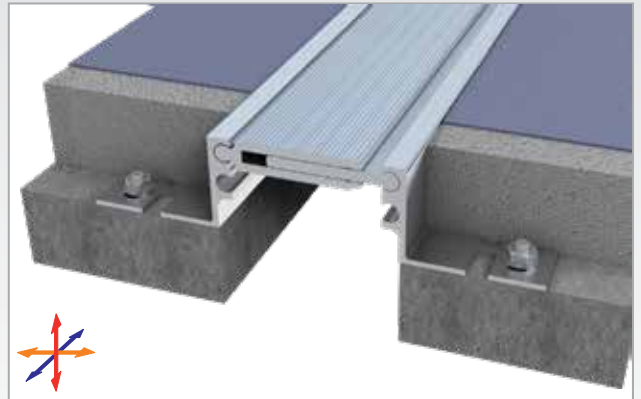
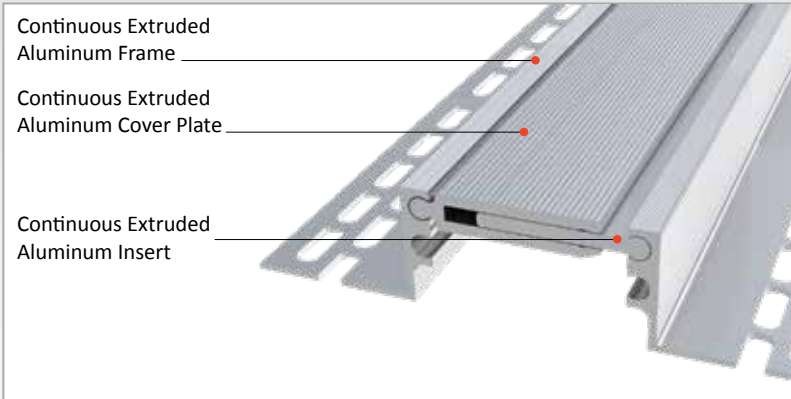
Note: Please ask for different sizes



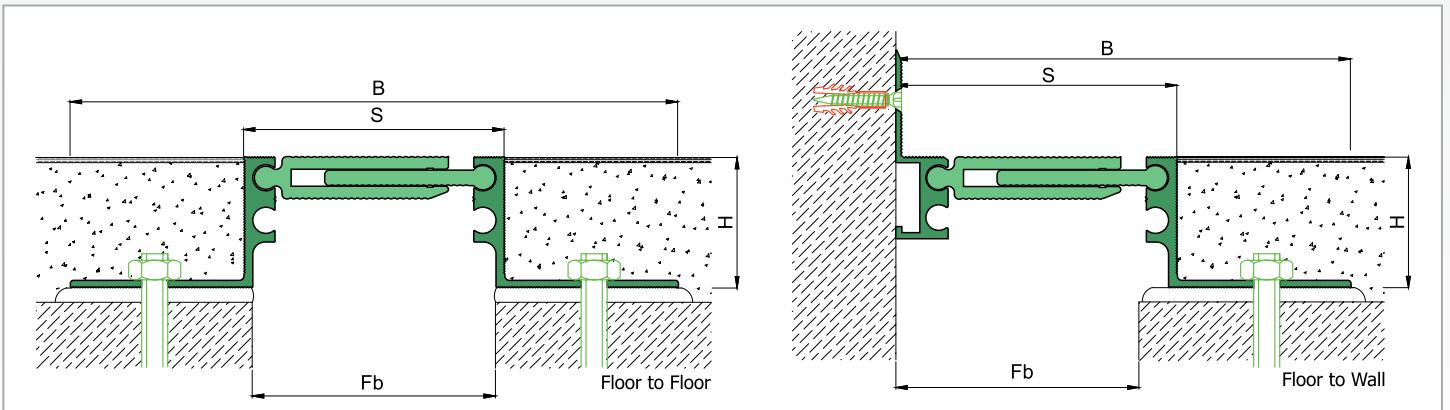


AS A227T flush mounted floor profile is applicable to all types of floors and load bearing capacity is designed for heavy vehicles or cars depending on the gap inquired. Pure metal structure characterizes AS A227T as a hardwearing & maintenance free profile and makes it ideal for the places with heavy pedestrian traffic. Round-headed articulated design enables the profile to meet displacements in 3 directions. AS A227T differs from AS A227 with monoblock base frame design. Profiles are delivered factory - assembled and for wide gaps soft EPDM tape is placed on the center plate to align the distance between the side frames. For surface mounted applications AS U237 model is available.

- Application Areas** : Indoor & Outdoor / Floor
- Ideal for** : Factories, Warehouses, Car Parks, Airports, Shopping Malls, Hospitals, Commercial & Public Buildings etc.
- Material** : Mill Finish Aluminum (Anodizing optional), Soft EPDM tape
- Aluminum Alloy** : EN AW 6063
- Optional Supplies** : Fire Barrier, Waterproof EPDM membrane



**FLOOR**



\* Visuals are representative and the profile configuration may differ depending on the characteristics requested.

LOCATION	MODEL	GAP (Fb) mm	HEIGHT (H) MM	OVERALL WIDTH (B) mm	VISIBLE WIDTH (S) mm	MOVEMENT (W) mm	LOAD CAPACITY	STANDARD LENGTH (mt)
Floor to Floor	AS A227T-050	50	35 / 43 / 60	174	60	± 6	35 kN  120 kN	3
	AS A227T-080	80	35 / 43 / 60	200	85	± 8	25 kN  60 kN	3
	AS A227T-100	100	35 / 43 / 60	220	105	± 16		3
	AS A227T-120	120	35 / 43 / 60	240	126	± 10		3
	AS A227T-150	150	35 / 43 / 60	270	155	± 18		3
	AS A227T-180	180	35 / 43 / 60	300	185	± 18		3
	AS A227T-200	200	35 / 43 / 60	320	205	± 20		3

Note: Please ask for different sizes

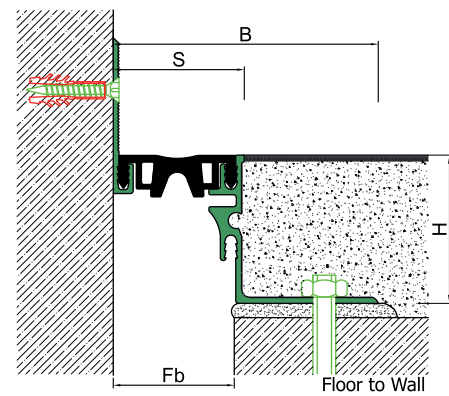
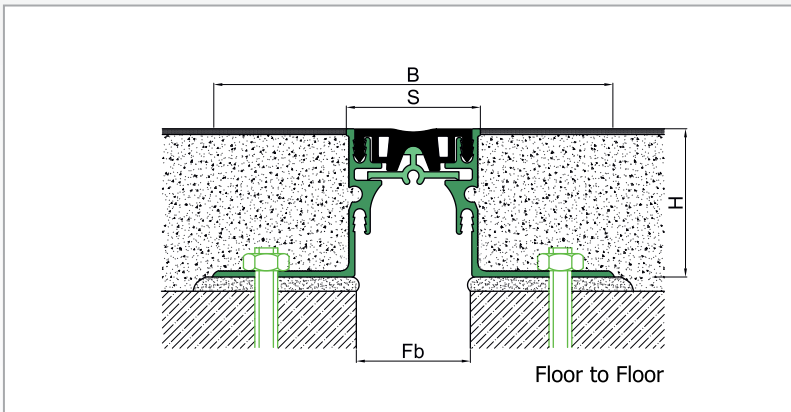
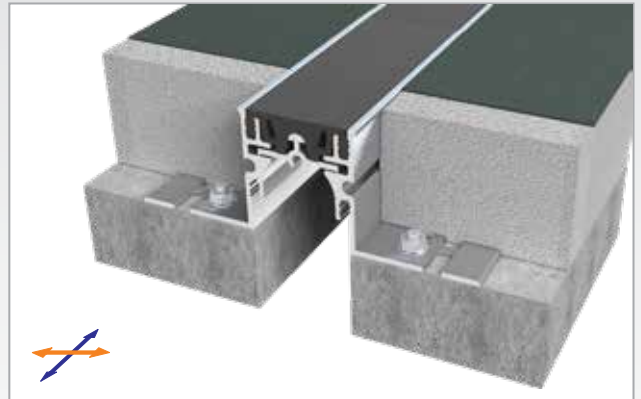
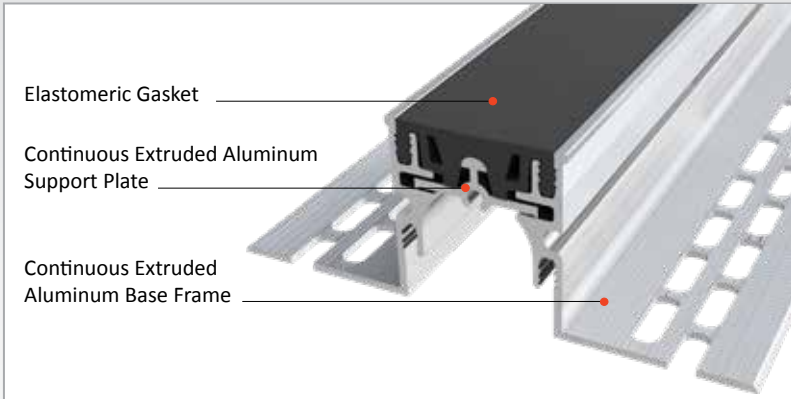


AS A233 is a heavy duty flush mounted profile and applicable to all types of floors. Push-down smooth gasket prevents accumulation of water, dirt and all other external factors in the gasket and can be changed in a very easy way, if it's needed. Round tipped support plate reinforces the gasket and prevents collapsing of it under heavy loads. Punched base frame lets the profile to be installed in an easy, quick and secured way.

- Application Areas** : Indoor & Outdoor / Floor
- Ideal for** : Car Parks, Warehouses, Shopping Malls, Airports, Public Buildings etc.
- Material** : Mill Finish Aluminum (Anodizing optional), EPDM (Only in Black Color), TPE Gasket
- Aluminum Alloy** : EN AW 6063
- Optional Supplies** : Fire Barrier, Waterproof EPDM membrane

**10**  
km/h

FLOOR



\* Visuals are representative and the profile configuration may differ depending on the characteristics requested.

GASKET COLORS → **BLACK** → GREY → BEIGE → Custom Colors available.

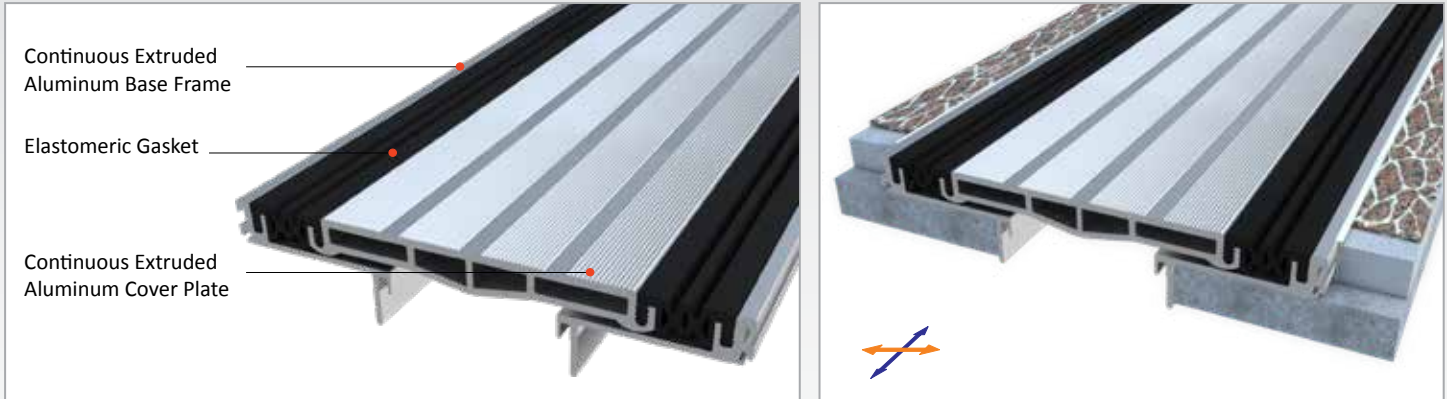
LOCATION	MODEL	GAP (Fb) mm	HEIGHT (H) MM	OVERALL WIDTH (B) mm	VISIBLE WIDTH (S) mm	MOVEMENT (W) mm	LOAD CAPACITY	STANDARD LENGTH (mt)
Floor to Floor	AS A233-040	40	50	146	46	+8 / -5	25 kN  50 kN	3
	AS A233-050	50	50	150	56	+8 / -5	25 kN	3

Note: Please ask for different sizes

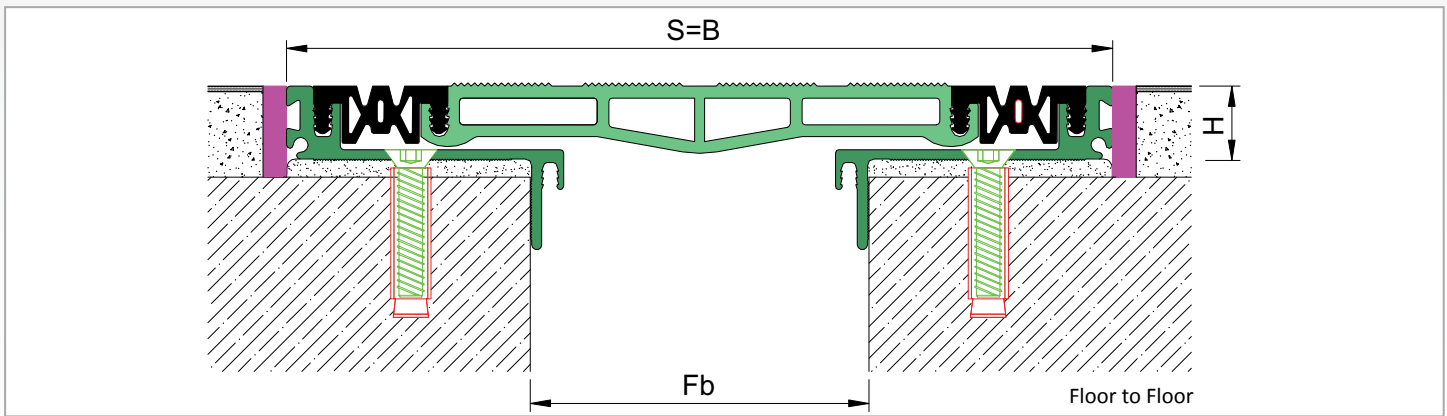
AS A238 flush mounted profile is applicable to all types of floors and load capacity is designed for forklifts and trucks. Especially recommended for places where heavy duty profile with gasket is inquired. Dual elastomeric gasket ensures high movement ability and can easily be changed without demounting the profile.

- Application Areas** : Indoor & Outdoor / Floor
- Ideal for** : Factories, Warehouses, Car Parks, Airports, Shopping Malls etc.
- Material** : Mill Finish Aluminum (Anodizing optional), EPDM Gasket
- Aluminum Alloy** : EN AW 6063
- Optional Supplies** : Fire Barrier, Waterproof EPDM membrane

**10**  
km/h



**FLOOR**



\* Visuals are representative and the profile configuration may differ depending on the characteristics requested.

GASKET COLOR **BLACK**

LOCATION	MODEL	GAP (Fb) mm	HEIGHT (H) MM	OVERALL WIDTH (B) mm	VISIBLE WIDTH (S) mm	MOVEMENT (W) mm	LOAD CAPACITY	STANDARD LENGTH (mt)
Floor to Floor	AS A238-100*	100	22	246	246	+16 / -20	25 kN  600 kN	3
	AS A238-120*	120	22	266	266	+30 / -34	25 kN  600 kN	3

Note: Please ask for different sizes

\* Limited with the stocks

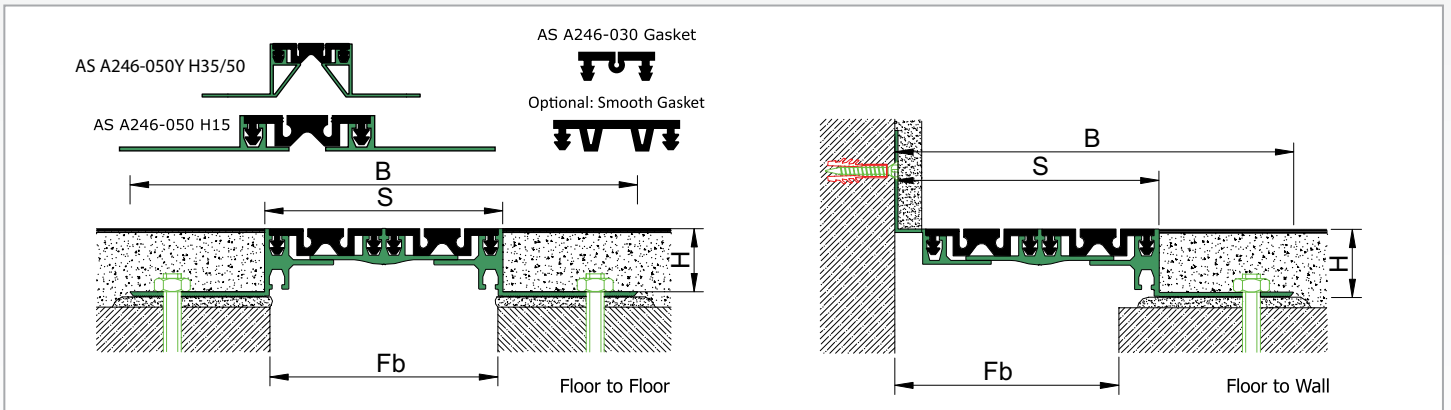
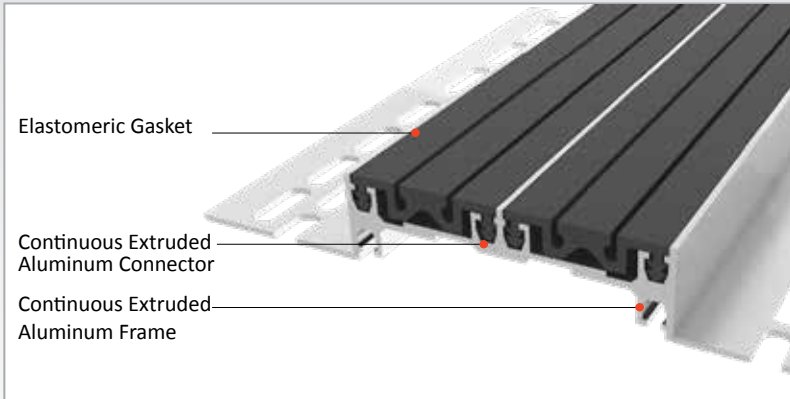


AS A246 flush mounted profile floor profiles for 20mm, 30 mm, 50 mm, and 100 mm gaps are applicable to all types of floors and individually designed for pedestrians, cars and forklifts. Push-down elastomeric gasket can be changed without demounting the profile. Smooth type gasket is available for all gaps but with less movement capability compared to grooved type. Profiles for 30 & 50 mm gaps are manufactured with single gasket while profile for 100 mm gap is with double gaskets joined with a connector profile. Punched base frame lets the profile to be installed in an easy, quick and secured way. Profile can be applied with wall type AS A146 and this dual application brings in a decorative aspect.

- Application Areas** : Indoor & Outdoor / Floor
- Ideal for** : Factories, Warehouses, Car Parks, Shopping Malls, Airports, Residences, Hospitals, Hotels, Public & Commercial Buildings etc.
- Material** : Mill Finish Aluminum (Anodizing optional), EPDM (Only in Black Color) or TPE Gasket
- Aluminum Alloy** : EN AW 6063
- Optional Supplies** : Fire Barrier, Waterproof EPDM membrane, Vapour Barrier



**FLOOR**



\* Visuals are representative and the profile configuration may differ depending on the characteristics requested.



LOCATION	MODEL	GAP (Fb) mm	HEIGHT (H) MM	OVERALL WIDTH (B) mm	VISIBLE WIDTH (S) mm	MOVEMENT (W) mm	LOAD CAPACITY	STANDARD LENGTH (mt)
Floor to Floor	AS A246-020	20	26	120	24	± 4	Person	3
	AS A246-030	30	15	130	34	± 5	Person	3
	AS A246-030	30	26	154	34	± 5	25 kN Forklift	3
	AS A246-030	30	35 / 50	126 / 130	34	± 5	25 kN Forklift	3
	AS A246-050	50	15	150	54	± 7	Person	3
	AS A246-050	50	26	174	54	± 7	Car	3
	AS A246-050	50	50	162	54	± 7	Car	3
	AS A246-050Y	50	35 / 50	152	54	± 7	Car	3
	AS A246-050	50	80	148	54	± 7	Car	3
	AS A246-100	100	15 / 30	226	106	± 14	Person	3
	AS A246-100	100	45 / 80	200 / 210	105	± 14	Car	3
	AS A246L-030	30	26	131	34	± 5	Person	3
AS A246L-050	50	26 / 35 / 50	151	54	± 7	Person	3	

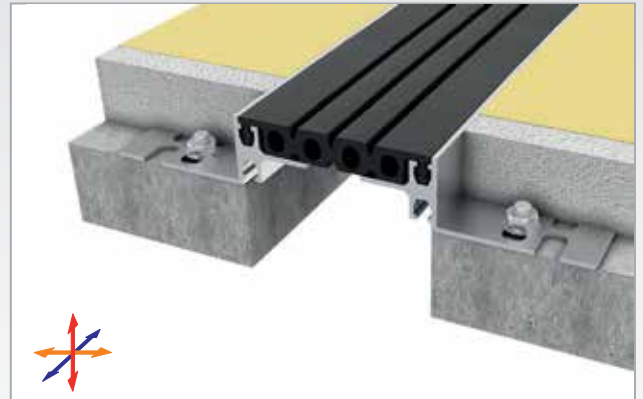
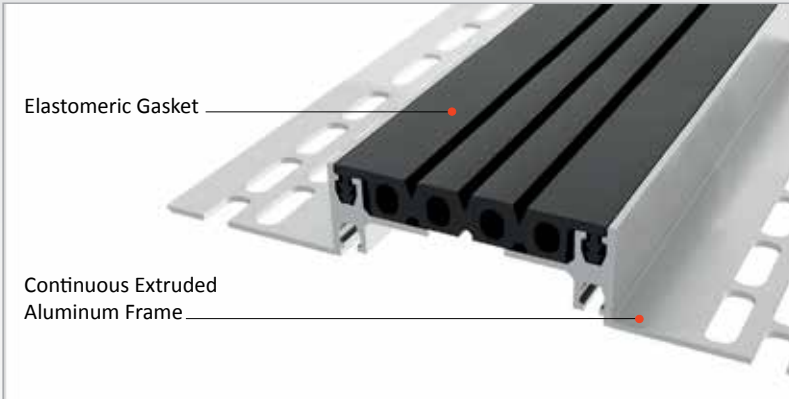


Note: Please ask for different sizes

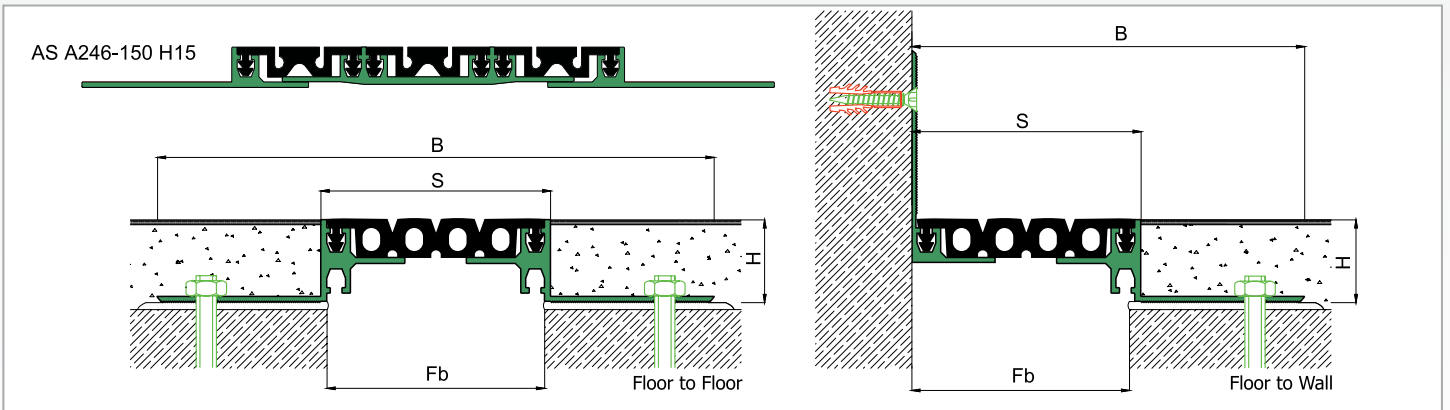
AS A246 flush mounted floor profiles for 65, 80 and 150 mm gaps are applicable to all types of floors and designed for pedestrians and cars. Push-down elastomeric gasket can be changed without demounting the profile. Profiles for 65&80 mm gaps are manufactured with single gasket while profile for 150 mm gap is with triple gaskets joined with connector profile. Punched base frame lets the profile to be installed in an easy, quick and secured way. Profile can be applied with wall type AS A146 and this dual application brings in a decorative aspect.

- Application Areas** : Indoor & Outdoor / Floor  
**Ideal for** : Car Parks, Shopping Malls, Airports, Residences, Hospitals, Hotels, Commercial & Public Buildings etc.  
**Material** : Mill Finish Aluminum (Anodizing optional), EPDM (Only in Black Color) or TPE Gasket  
**Aluminum Alloy** : EN AW 6063  
**Optional Supplies** : Fire Barrier, Waterproof EPDM membrane, Vapour Barrier

**20**  
km/h



**FLOOR**



\* Visuals are representative and the profile configuration may differ depending on the characteristics requested.

GASKET COLORS: **BLACK** GREY BEIGE Custom Colors available.

LOCATION	MODEL	GAP (Fb) mm	HEIGHT (H) MM	OVERALL WIDTH (B) mm	VISIBLE WIDTH (S) mm	MOVEMENT (W) mm	LOAD CAPACITY	STANDARD LENGTH (mt)
Floor to Floor	AS A246-065	65	15	190	70	± 8	Person	3
	AS A246-080	80	15	205	84	± 10	Person	3
	AS A246-065	65	30	190	70	± 8	Car	3
	AS A246-080	80	30	205	84	± 10	Car	3
	AS A246-080	80	45/80	190	85	± 10	Car	3
	AS A246-150	150	15/30	278	158	± 14	Person	3
	AS A246-150	150	45/80	263	158	± 14	Person	3

Note: Please ask for different sizes

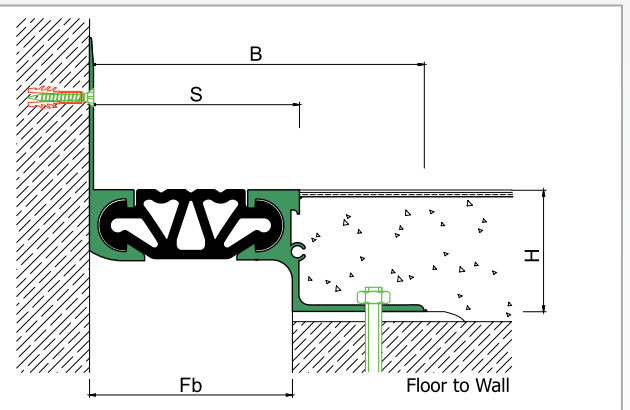
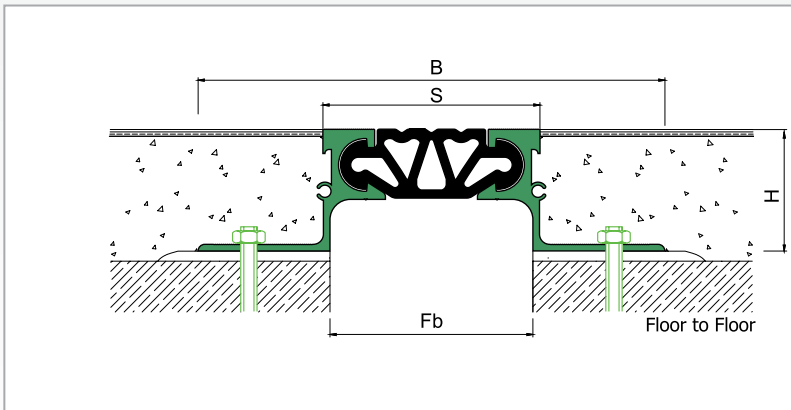
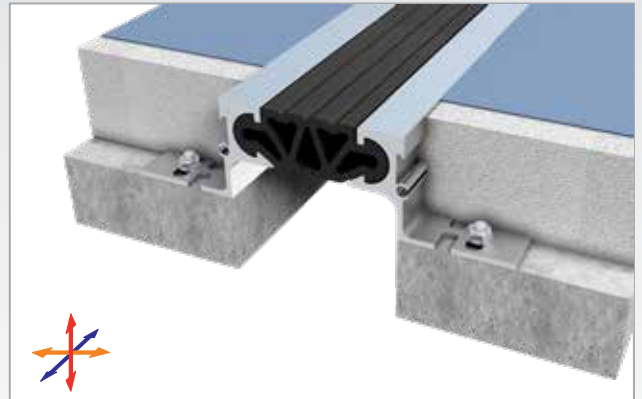
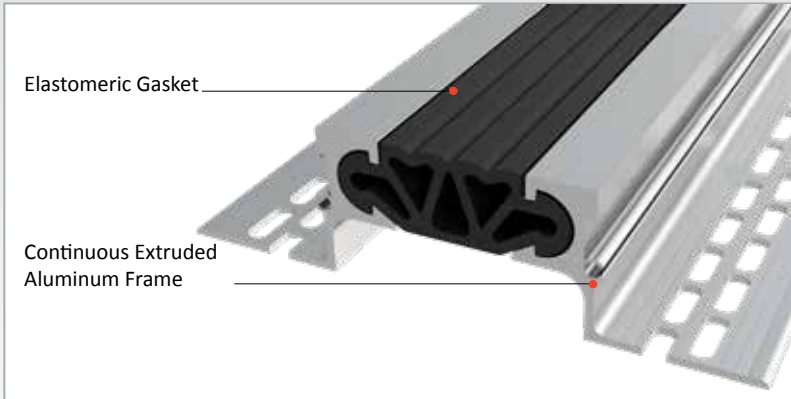


AS A261 flush mounted profile is applicable to all types of floors and load bearing capacity is designed for heavy vehicles. Especially recommended for the places where heavy duty profiles with gasket is inquired. For surface mounted applications AS U260 is available.

- Application Areas** : Indoor & Outdoor / Floor
- Ideal for** : Factories, Warehouses, Car Parks, Airports etc.
- Material** : Mill Finish Aluminum (Anodizing optional), EPDM Gasket
- Aluminum Alloy** : EN AW 6063
- Optional Supplies** : Fire Barrier, Waterproof EPDM membrane

**10**  
km/h

FLOOR



\* Visuals are representative and the profile configuration may differ depending on the characteristics requested.

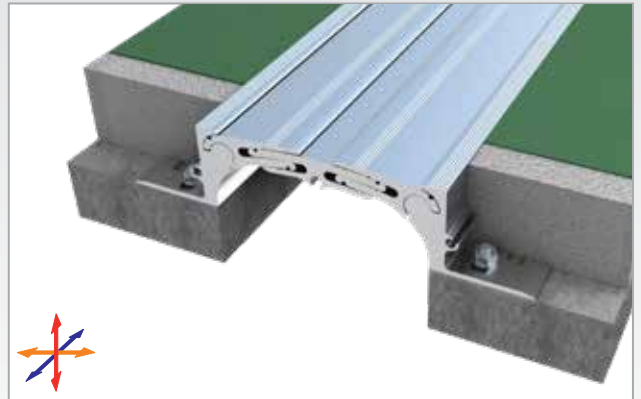
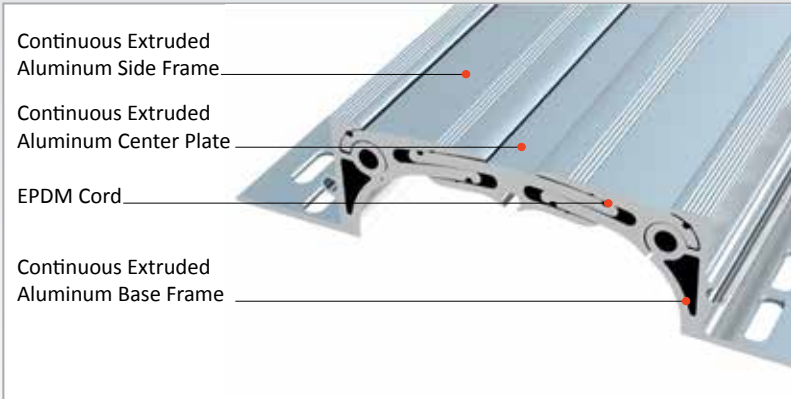
GASKET COLOR **BLACK**

LOCATION	MODEL	GAP (Fb) mm	HEIGHT (H) MM	OVERALL WIDTH (B) mm	VISIBLE WIDTH (S) mm	MOVEMENT (W) mm	LOAD CAPACITY	STANDARD LENGTH (mt)
Floor to Floor	AS A261-080	80	60	210	87	+4 / -8	35 kN  300 kN	3
	AS A261-100	100	60	230	107	+10 / -15	300 kN	3

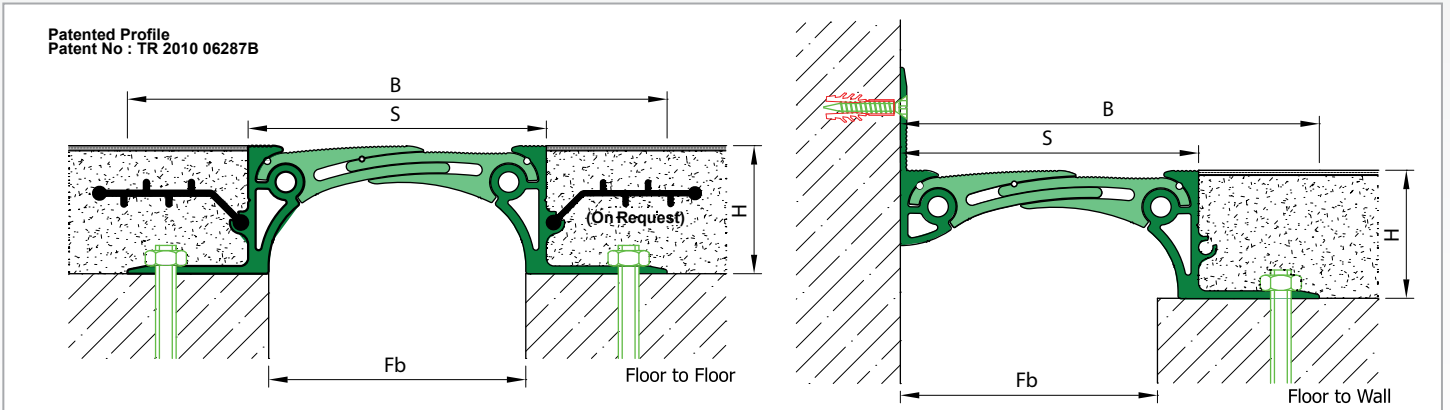
Note: Please ask for different sizes

AS A263 is Asteknik's patented profile ( Patent No: TR 2010 06287B) and designed for extreme heavy duty use. Thanks to arch shape which lets it to resist to more load than other flush mounted heavy duty profiles and secures a smooth transition for the vehicles. Pure metal structure characterizes AS A263 to be a hardwearing and maintenance free profile. Hinged & sliding profile design enables to meet the displacements in 3 directions. EPDM cords placed between side frames and center plate eliminate metal stroking noise. For superiorly installation, AS A263 can be assembled by means of special aluminum anchorages. Profiles are delivered factory-assembled.

- Application Areas** : Indoor & Outdoor / Floor
- Ideal for** : Factories, Warehouses, Car Parks, Airports, Shopping Malls etc.
- Material** : Mill Finish Aluminum (Anodizing optional), EPDM Cord
- Aluminum Alloy** : EN AW 6063
- Optional Supplies** : Fire Barrier, Waterproof EPDM membrane



**FLOOR**



\* Visuals are representative and the profile configuration may differ depending on the characteristics requested.

LOCATION	MODEL	GAP (Fb) mm	HEIGHT (H) MM	OVERALL WIDTH (B) mm	VISIBLE WIDTH (S) mm	MOVEMENT (W) mm	LOAD CAPACITY	STANDARD LENGTH (mt)
Floor to Floor	AS A263-080	80	50/85	194/234	100	± 12	70 kN  600 kN	3
	AS A263-100	100	50/85	210/250	116	± 12	70 kN  600 kN	3
	AS A263-120	120	50/85	234/274	140	+22 / -12	35 kN  300 kN	3
	AS A263-150	150	50/85	280/300	166	± 22	25 kN  120 kN	3
	AS A263-200	200	50/85	332/352	217	+20 / -25		3

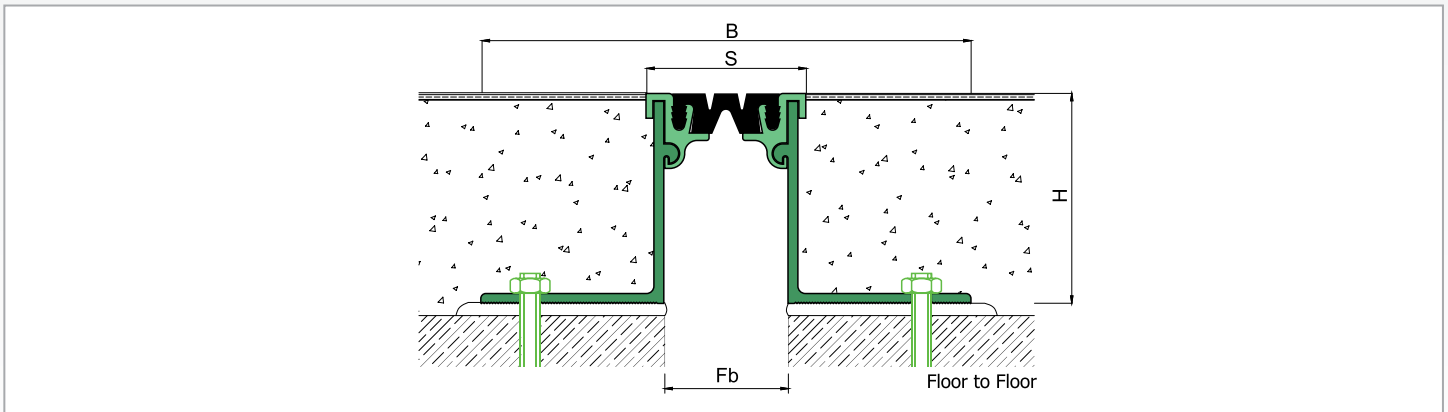
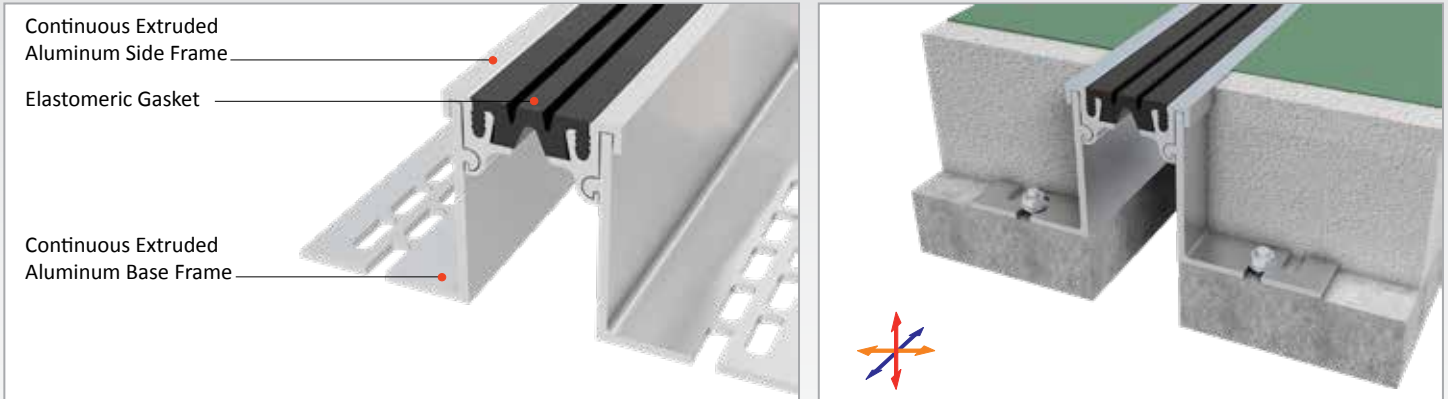
Note: Please ask for different sizes

AS A286 flush floor profile is applicable to all types of floors and is designed for heavy vehicles. If needed, Push-down elastomeric gasket can be changed without demounting the profile. Click-fit profile structure lets the profile to be installed at different heights by changing the base frame and makes it favorable for the places where high profiles needed. Punched base frame lets the profile to be installed in an easy, quick and secured way.

- Application Areas** : Indoor & Outdoor / Floor
- Ideal for** : Factories, Warehouses, Car Parks, Airports, Shopping Malls etc.
- Material** : Mill Finish Aluminum (Anodizing optional), EPDM Gasket
- Aluminum Alloy** : EN AW 6063
- Optional Supplies** : Fire Barrier, Waterproof EPDM membrane

**10**  
km/h

FLOOR



\* Visuals are representative and the profile configuration may differ depending on the characteristics requested.

GASKET COLOR **BLACK**

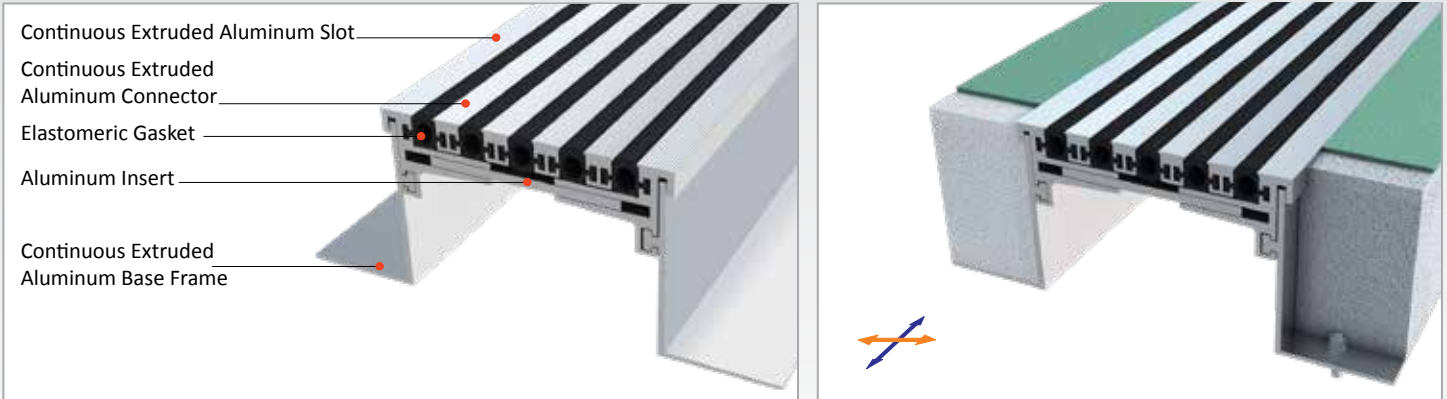
LOCATION	MODEL	GAP (Fb) mm	HEIGHT (H) MM	OVERALL WIDTH (B) mm	VISIBLE WIDTH (S) mm	MOVEMENT (W) mm	LOAD CAPACITY	STANDARD LENGTH (mt)
Floor to Floor	AS A286-050	50	85 / 100	198	65	+10 / -6	35 kN  300 kN	3

Note: Please ask for different sizes

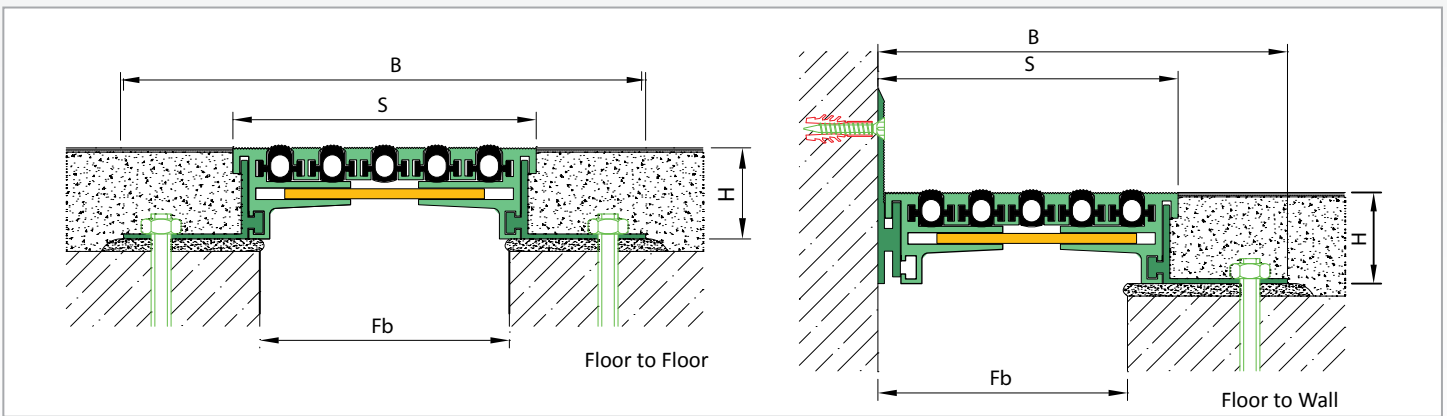
AS A288 flush mounted profile is applicable to all types of floors and load capacity is designed for pedestrian and cars. Adjustable interlocking profile and gasket configuration makes it available for joint openings up to 260 mm and enables to meet displacements in 3 directions. Click-fit profile structure lets the profile to be installed at different heights by changing the base fame. If inquired, AS A288 can be matched with wall type AS A126. Profiles are delivered factory-assembled.

- Application Areas** : Indoor & Outdoor / Floor
- Ideal for** : Car Parks, Shopping Malls, Airports, Residences, Hospitals, Hotels, Public & Commercial Buildings etc.
- Material** : Mill Finish Aluminum (Anodizing optional), EPDM (Only in Black Color) or TPE Gasket
- Aluminum Alloy** : EN AW 6063
- Optional Supplies** : Fire Barrier, Waterproof EPDM membrane

**20**  
km/h



**FLOOR**



\* Visuals are representative and the profile configuration may differ depending on the characteristics requested.

GASKET COLORS **BLACK** GREY BEIGE Custom Colors available.

LOCATION	MODEL	GAP (Fb) mm	HEIGHT (H) MM	OVERALL WIDTH (B) mm	VISIBLE WIDTH (S) mm	MOVEMENT (W) mm	LOAD CAPACITY	STANDARD LENGTH (mt)
Floor to Floor	AS A288-100*	100	35/80	210	122	±10		3
	AS A288-120*	120	35/80	230	142	±12		3
	AS A288-140*	140	35/80	251	164	±12		3
	AS A288-160*	160	35/80	272	184	±14		3
	AS A288-200*	200	35/80	314	226	±18		3
	AS A288-260*	260	35/80	357	269	±20		3

Note: Please ask for different sizes

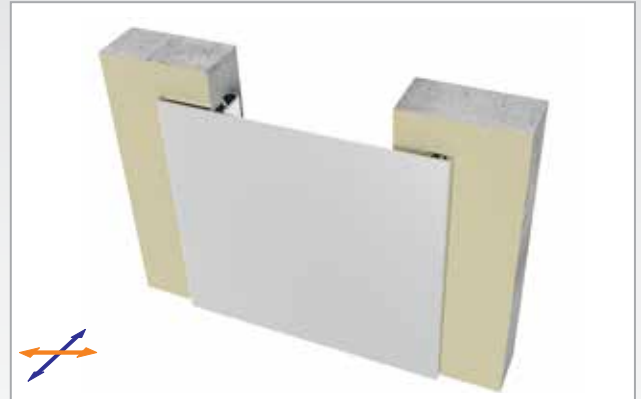
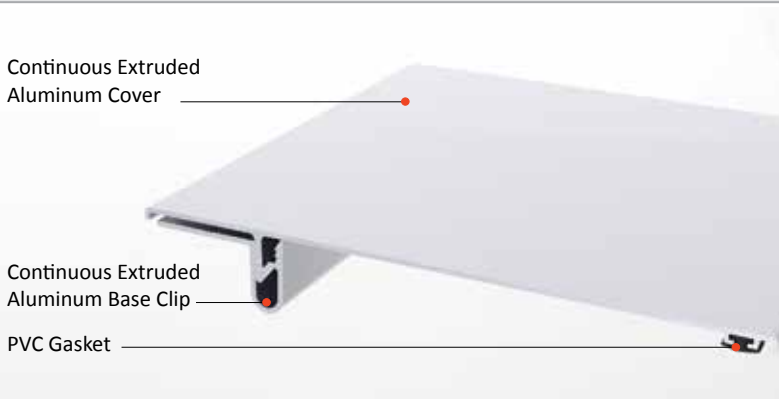
\* Limited with the stocks



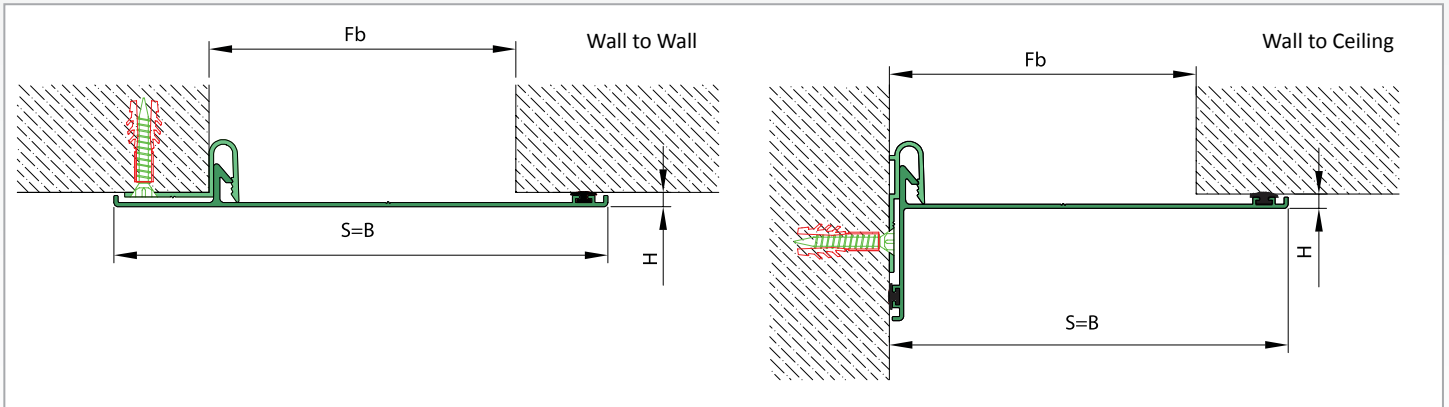


AS U160 surface mounted overall metal cover can easily be applied to all types of parallel wall and ceiling and gives a decorative aspect to the places with invisible screwing system. Base clip is screwed on the surface from one side and the snap-on cover is placed on it. Easy installation, decorative view, high movement ability & maintenance-free characteristics makes AS U160 a favorable profile. It can be aligned with floor covers.

- Application Areas** : Indoor&Outdoor / Wall & Ceiling
- Ideal for** : Shopping Malls, Airports, Residences, Hospitals, Hotels, Commercial & Public Buildings etc.
- Material** : Anodized Aluminum Cover ( Powder Coating optional ), Mill Finish Aluminum Base Clip, PVC Gasket
- Aluminum Alloy** : EN AW 6063
- Optional Supplies** : Fire Barrier, Waterproof EPDM membrane



**SEISMIC**



\* Visuals are representative and the profile configuration may differ depending on the characteristics requested.

LOCATION	MODEL	GAP (Fb) mm	HEIGHT (H) MM	OVERALL WIDTH (B) mm	VISIBLE WIDTH (S) mm	MOVEMENT (W) mm	LOAD CAPACITY	STANDARD LENGTH (mt)
Wall to Wall	AS U160-050	50	5	111	111	+20 / -40	N/A	3
	AS U160-100	100	5	161	161	+20 / -90	N/A	3
	AS U160-120	120	5	211	211	+50 / -110	N/A	3
	AS U160-150	150	5	211	211	+20 / -140	N/A	3
	AS U160-200	200	5	261	261	+20 / -190	N/A	3

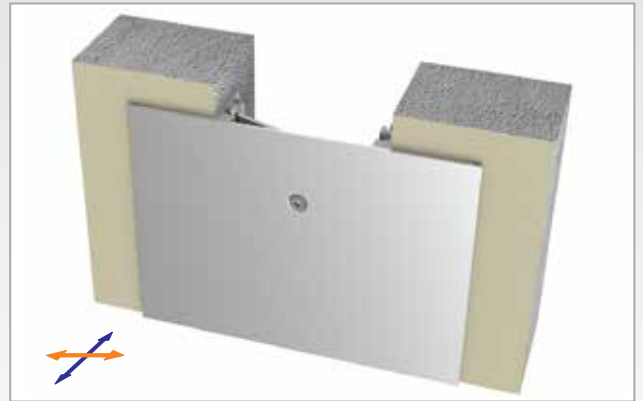
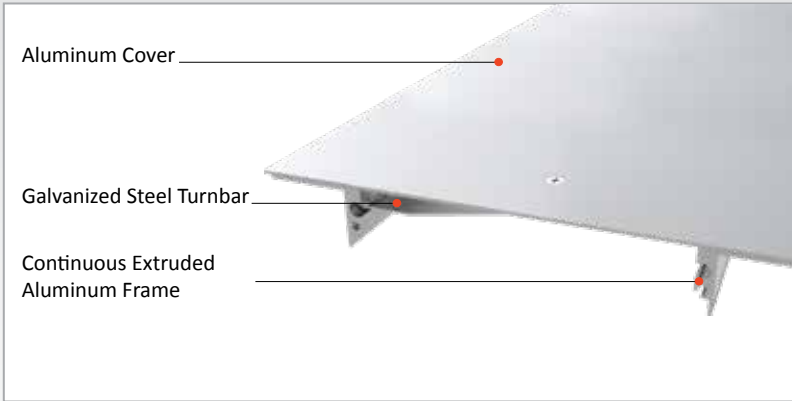
Note: Please ask for different sizes



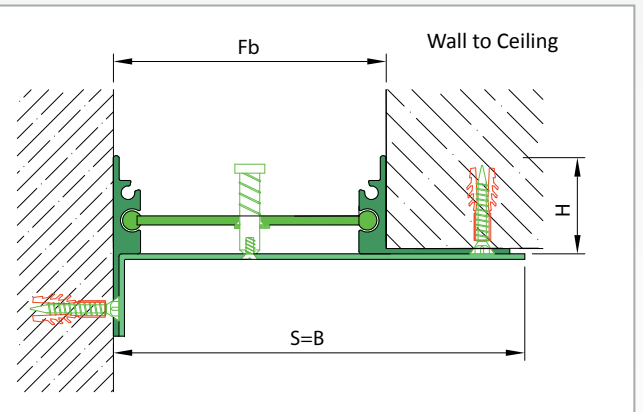
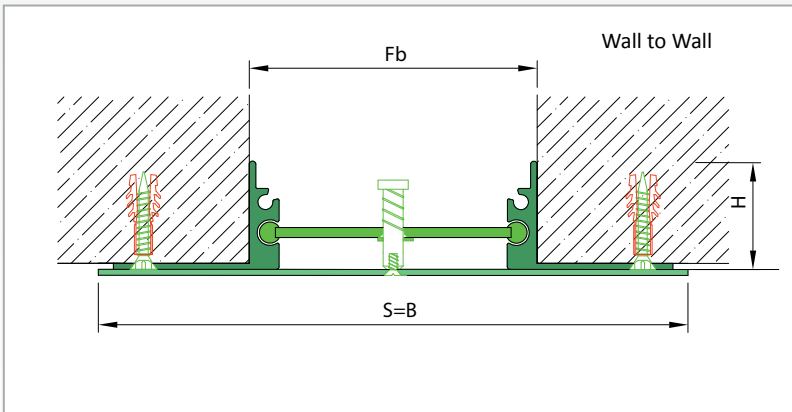


AS U181 surface mounted seismic profile provides multi-directional movements at joint widths up to 300 mm. During the seismic activity, pursuant to ground motion, centering bar expands and narrows down the profile with a high movement ability. Cover plate can be made of aluminum, galvanized or stainless steel at different thicknesses depending on the finish inquired. It can be applied with floor profile AS U281 as a matching model.

- Application Areas** : Indoor & Outdoor / Wall & Ceiling  
**Ideal for** : Airports, Shopping Malls, Residences, Hospitals, Hotels, Public & Commercial Buildings etc.  
**Material** : Anodized Aluminum Cover ( Galvanized or Primer Coated or Stainless Steel Optional),  
 Mill Finish Aluminum Frame, Galvanized Steel  
**Aluminum Alloy** : EN AW 6063  
**Optional Supplies** : Fire Barrier, Waterproof EPDM membrane



**SEISMIC**



\* Visuals are representative and the profile configuration may differ depending on the characteristics requested.

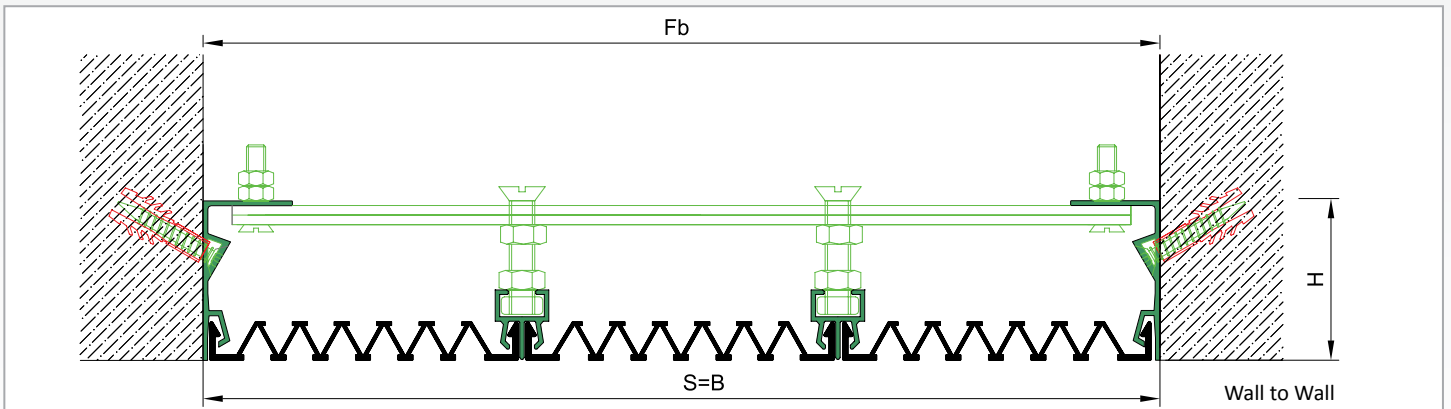
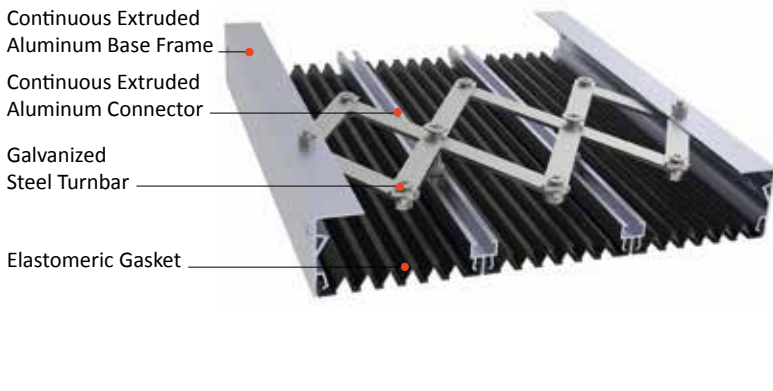
LOCATION	MODEL	GAP (Fb) mm	HEIGHT (H) MM	OVERALL WIDTH (B) mm	VISIBLE WIDTH (S) mm	MOVEMENT (W) mm	LOAD CAPACITY	STANDARD LENGTH (mt)
Wall to Wall	AS U181-050	50	35	150	150	+15 / -18	N/A	3
	AS U181-075	75	35	175	175	± 40	N/A	3
	AS U181-100	100	35	200	200	+35 / -60	N/A	3
	AS U181-150	150	35	250	250	+55 / -95	N/A	3
	AS U181-200	200	35	300	300	+70 / -130	N/A	3
	AS U181-250	250	35	350	350	+110 / -170	N/A	3
	AS U181-300	300	35	400	400	+110 / -205	N/A	3

Note: Please ask for different sizes



AS A119 flush mounted seismic profile is designed to meet multidirectional displacements at large openings. Turn bar system ensures the profile high movement ability. Highly recommended for the projects in which invisible screwing system and minimum aluminum view required. Excellent UV, ozone and abrasion resistance of elastomeric gasket makes the profile favorable for outdoor applications.

- Application Areas** : Indoor&Outdoor / Wall & Ceiling
- Ideal for** : Shopping Malls, Airports, Residences, Hospitals, Hotels, Commercial & Public Buildings etc.
- Material** : Mill Finish Aluminum (Anodizing optional), Galvanized Steel, EPDM (Only in Black Color) or TPE Gasket
- Aluminum Alloy** : EN AW 6063
- Optional Supplies** : Fire Barrier, Waterproof EPDM membrane



\* Visuals are representative and the profile configuration may differ depending on the characteristics requested.

GASKET COLORS: **BLACK** / GREY / BEIGE / Custom Colors available.

LOCATION	MODEL	GAP (Fb) mm	HEIGHT (H) MM	OVERALL WIDTH (B) mm	VISIBLE WIDTH (S) mm	MOVEMENT (W) mm	LOAD CAPACITY	STANDARD LENGTH (mt)
Wall to Wall	AS A119-200	200	50	200	200	+50 / -125	N/A	3
	AS A119-300	300	50	300	300	+125 / -175	N/A	3
	AS A119-450	450	50	450	450	+200 / -325	N/A	3
	AS A119-600	600	50	600	600	+300 / -450	N/A	3

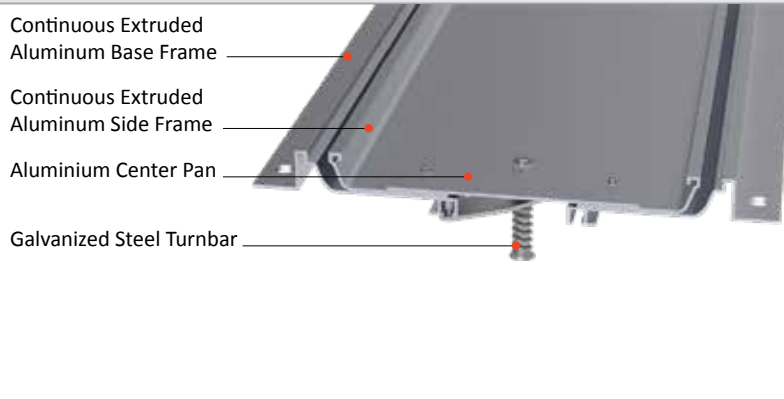
Note: Please ask for different sizes



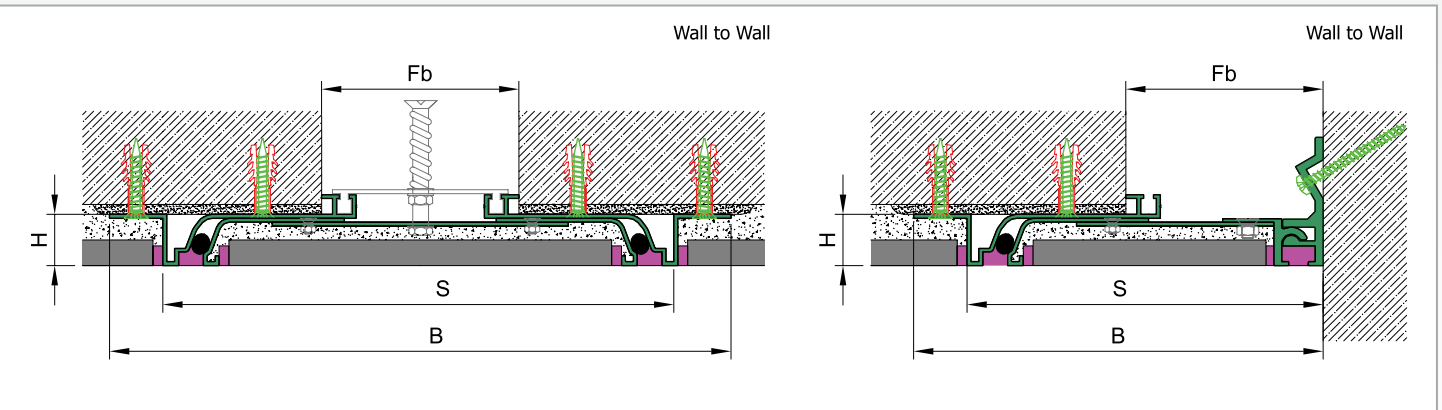


AS A150 flush mounted seismic wall profile is designed to match perfectly with AS A250 floor model. It provides multi-directional movement at large openings and can be applied with many different types of finishes (granite, marble, ceramic etc.) up to 10mm thickness. During the seismic based contractions, specially designed pop-up mechanism ascends the center plate without damaging the finished surface and gets back to origin after activity is over. Almost invisible profiles give a decorative aspect to the spaces with the continuous wall covering view.

- Application Areas** : Indoor & Outdoor / Wall
- Ideal for** : Shopping Malls, Airports, Residences, Hospitals, Hotels, Public & Commercial Buildings etc.
- Material** : Mill Finish Aluminum (Anodizing optional), Galvanized Steel
- Aluminum Alloy** : EN AW 6063
- Optional Supplies** : PE Backing Rod, PU Mastic, Fire Barrier, Waterproof EPDM membrane



**SEISMIC**



\* Visuals are representative and the profile configuration may differ depending on the characteristics requested.

LOCATION	MODEL	GAP (Fb) mm	HEIGHT (H) MM	OVERALL WIDTH (B) mm	VISIBLE WIDTH (S) mm	MOVEMENT (W) mm	LOAD CAPACITY	STANDARD LENGTH (mt)
Wall to Wall	AS A150-075	75	26	290	236	± 22	N/A	3
	AS A150-100	100	26	315	261	+30 / -50	N/A	3
	AS A150-150	150	26	365	311	+50 / -100	N/A	3
	AS A150-175	175	26	390	336	+60 / -130	N/A	3
	AS A150-200	200	26	415	361	+70 / -160	N/A	3
	AS A150-250	250	26	465	411	+90 / -200	N/A	3
	AS A150-300	300	26	515	461	+115 / -250	N/A	3
	AS A150-400	400	26	615	561	+115 / -340	N/A	3

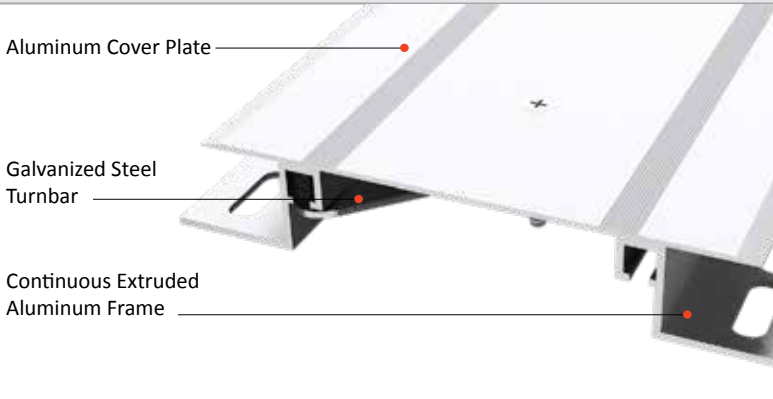
Note: Please ask for different sizes



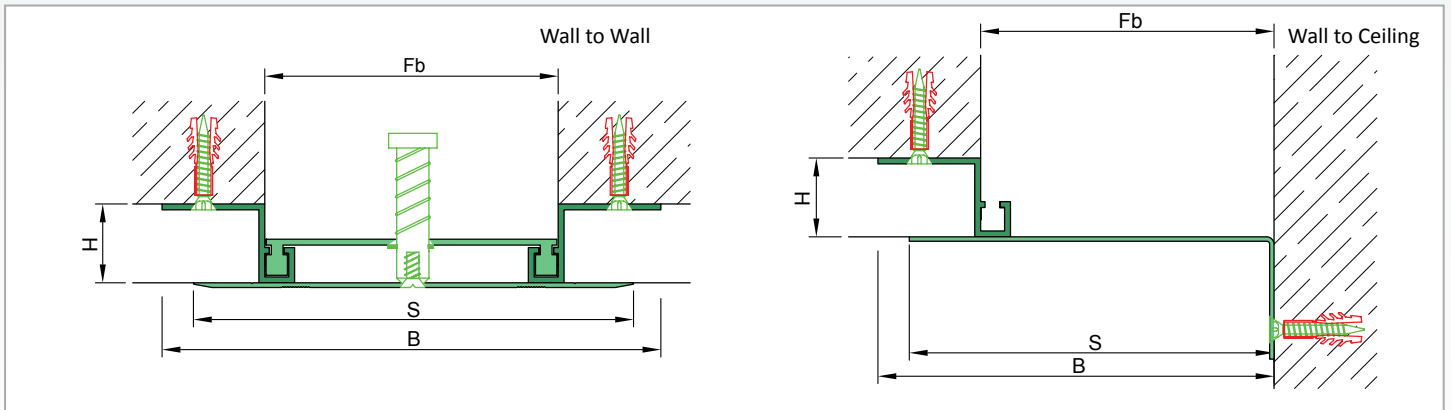


AS A153 flush mounted seismic profile provides horizontal and lateral shear movements at joint widths up to 200 mm. During the seismic activity, pursuant to ground motion, centering bar expands and narrows down the profile with a high movement ability and ensures the cover plate to stay in its original position after the seismic activity. Cover plate can be made of aluminum, galvanized or stainless steel at different thicknesses depending on the finish inquired. It can be applied with floor profile AS A253 as a matching model. AS A153 can also function as a roof cover at flat roof applications.

- Application Areas** : Indoor & Outdoor / Wall & Ceiling
- Ideal for** : Airports, Shopping Malls, Residences, Hospitals, Hotels, Commercial & Public Buildings etc.
- Material** : Anodized Aluminum Cover Plate ( Galvanized or Primer Coated or Stainless Steel Optional),  
Mill Finish Aluminum Frame, Galvanized Steel
- Aluminum Alloy** : EN AW 6063
- Optional Supplies** : Fire Barrier, Waterproof EPDM membrane



**SEISMIC**



\* Visuals are representative and the profile configuration may differ depending on the characteristics requested.

LOCATION	MODEL	GAP (Fb) mm	HEIGHT (H) MM	OVERALL WIDTH (B) mm	VISIBLE WIDTH (S) mm	MOVEMENT (W) mm	LOAD CAPACITY	STANDARD LENGTH (mt)
Wall to Wall	AS A153-060	60	25	140	110	+20 / -25	N/A	3
	AS A153-075	75	25	155	125	+25 / -40	N/A	3
	AS A153-100	100	25	180	150	+40 / -55	N/A	3
	AS A153-150	150	25	230	200	+60 / -80	N/A	3
	AS A153-200	200	25	280	250	+60 / -110	N/A	3

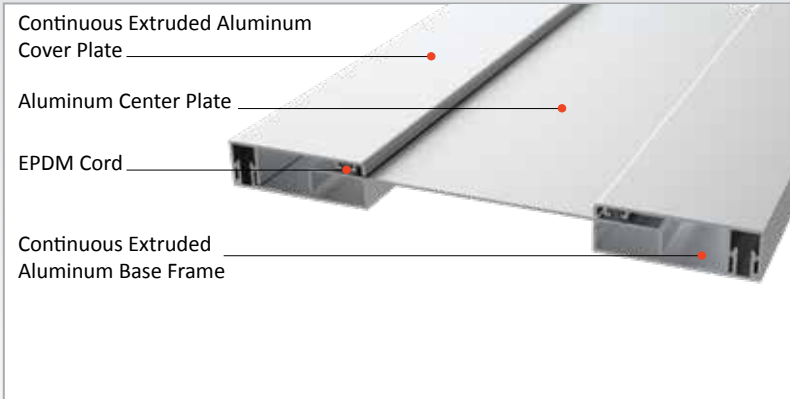
Note: Please ask for different sizes



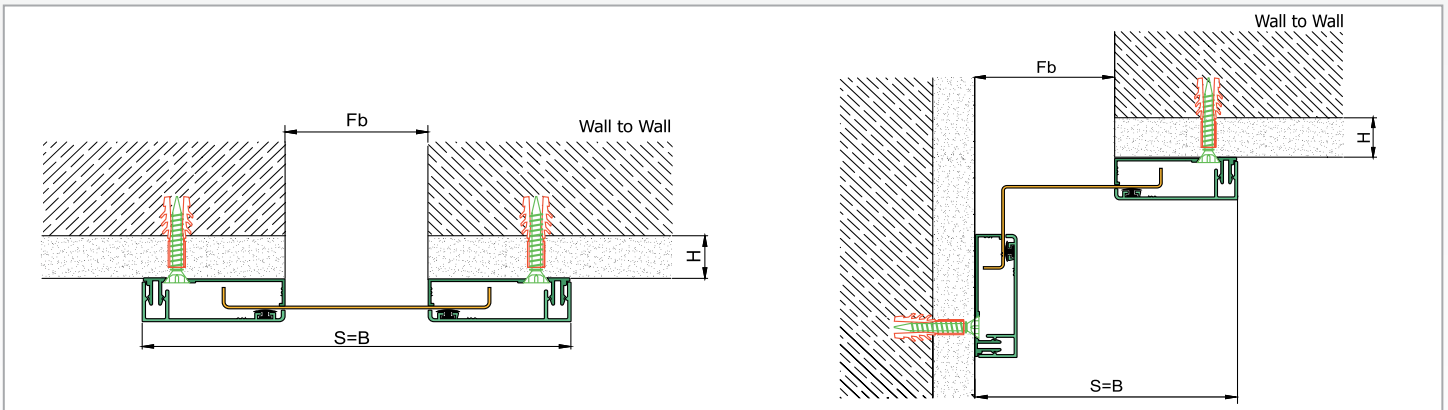


AS A154 profile is designed for wall & ceiling applications at indoor areas as well as exterior wall applications. It functions as a seismic profile and gives a decorative aspect with invisible screwing system. Base frames of the profile are fixed on the surface at both sides and the movable center plate meets the displacements. It can be used as surface or flush mounted. EPDM cords placed between cover and middle plates tighten the plates and eliminate metal stroking noise. AS A154 can be applied up to 300 mm gaps. Wider than 200 mm gap, it is not recommended for exterior applications. For exterior applications, please inform Asteknik before placing an order.

- Application Areas** : Indoor & Outdoor / Wall & Ceiling
- Ideal for** : Airports, Shopping Malls, Residences, Hospitals, Hotels, Commercial & Public Buildings etc.
- Material** : Anodized Aluminum, EPDM Cord
- Aluminum Alloy** : EN AW 6063
- Optional Supplies** : Fire Barrier, Waterproof EPDM membrane



**SEISMIC**



\* Visuals are representative and the profile configuration may differ depending on the characteristics requested.

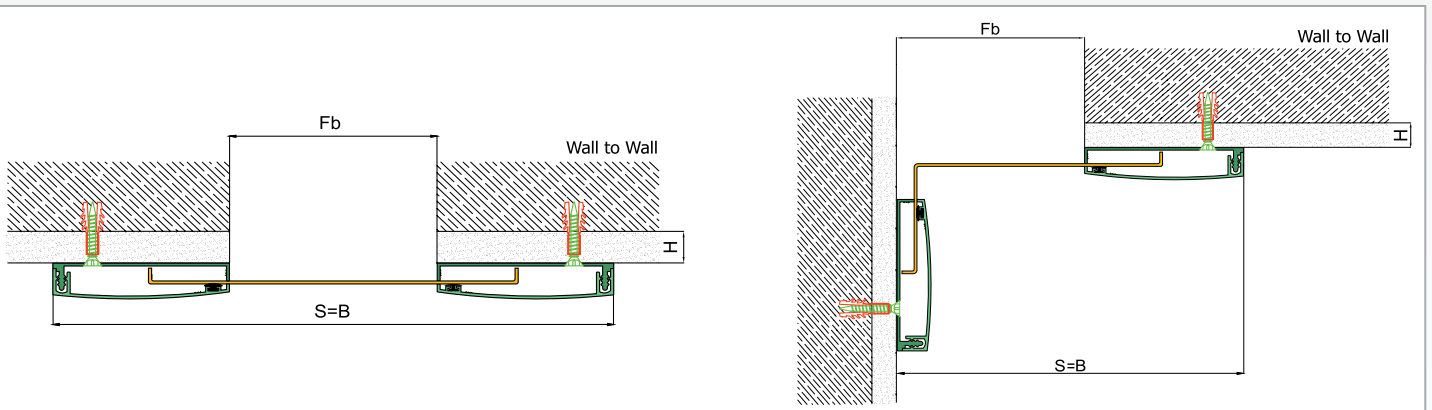
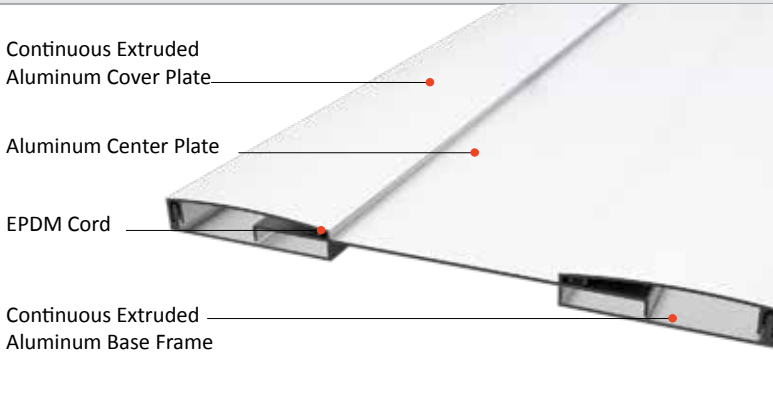
LOCATION	MODEL	GAP (Fb) mm	HEIGHT (H) MM	OVERALL WIDTH (B) mm	VISIBLE WIDTH (S) mm	MOVEMENT (W) mm	LOAD CAPACITY	STANDARD LENGTH (mt)
Wall to Wall	AS A154-030	30	16	130	130	+40 / -30	N/A	3
	AS A154-050	50	16	150	150	± 40	N/A	3
	AS A154-080	80	16	180	180	± 40	N/A	3
	AS A154-100	100	16	200	200	± 40	N/A	3
	AS A154-150	150	16	250	250	± 40	N/A	3
	AS A154-200	200	16	300	300	± 20	N/A	3
	AS A154-250	250	16	350	350	± 20	N/A	3
	AS A154-300	300	16	400	400	± 20	N/A	3

Note: Please ask for different sizes



AS A155 profile is designed for wall & ceiling applications at indoor areas as well as exterior wall applications. It functions as a seismic profile and gives a decorative aspect with invisible screwing system. Base frames of the profile are fixed on the surface at both sides and the movable center plate meets the displacements. It can be used as surface or flush mounted. EPDM Cord placed between cover and center plates tighten the plates and eliminate metal stroking noise. For exterior applications, please inform Asteknik before placing an order.

- Application Areas** : Indoor & Outdoor / Wall & Ceiling
- Ideal for** : Airports, Shopping Malls, Residences, Hospitals, Hotels, Commercial & Public Buildings etc.
- Material** : Anodized Aluminum, EPDM Cord
- Aluminum Alloy** : EN AW 6063
- Optional Supplies** : Fire Barrier, Waterproof EPDM membrane



\* Visuals are representative and the profile configuration may differ depending on the characteristics requested.

LOCATION	MODEL	GAP (Fb) mm	HEIGHT (H) MM	OVERALL WIDTH (B) mm	VISIBLE WIDTH (S) mm	MOVEMENT (W) mm	LOAD CAPACITY	STANDARD LENGTH (mt)
Wall to Wall	AS A155L-050	50	16	220	220	+70/-50	N/A	3
	AS A155-050	50	16	220	220	+70/-50	N/A	3
	AS A155L-080	80	16	250	250	+70/-75	N/A	3
	AS A155L-100	100	16	270	270	+70/-75	N/A	3
	AS A155-100	100	16	270	270	+70/-75	N/A	3
	AS A155L-150	150	16	320	320	±35	N/A	3
	AS A155-150	150	16	320	320	+70/-75	N/A	3
	AS A155L-200	200	16	370	370	±35	N/A	3
	AS A155L-250	250	16	420	420	±35	N/A	3
	AS A155L-300	300	16	470	470	±35	N/A	3
	AS A155L-350	350	16	520	520	±35	N/A	3
	AS A155L-400	400	16	570	570	±35	N/A	3

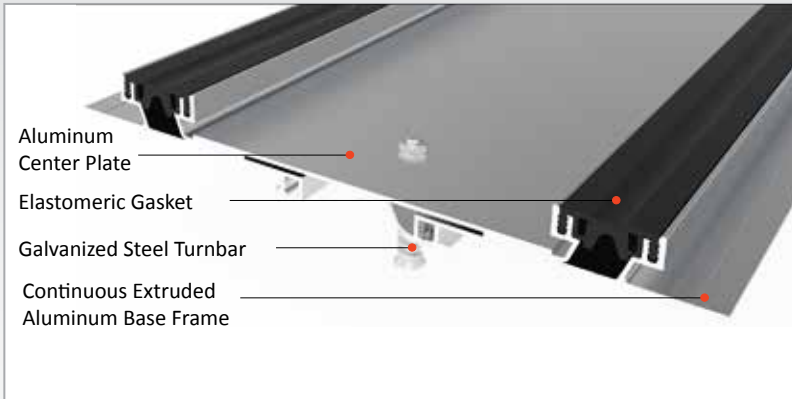
Note: Please ask for different sizes



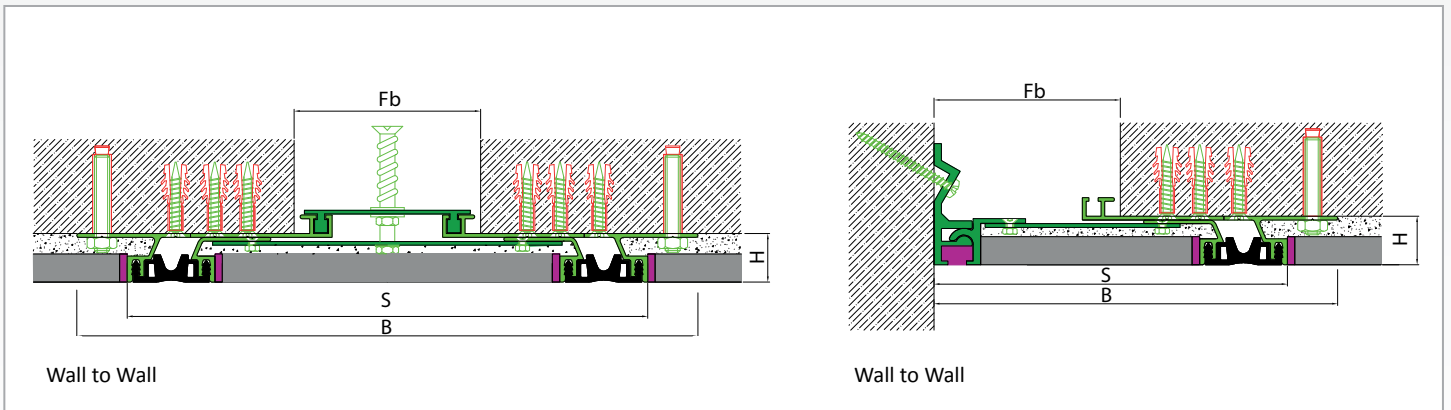


AS A156 flush mounted seismic profile is designed to be used on the walls to match perfectly with the AS A256 floor model. It provides a multi-directional movement at large openings. It can be applied with many different types of finishes (granite, marble, ceramic etc) at max 15 mm thickness. During the seismic based contractions, specially designed pop-up mechanism ascends the center plate without damaging the finished surface and gets back to origin after activity is over. The interchangeable gasket is used to cover the space between base frame and center plate. Movement ability can be increased by using long type turnbar.

- Application Areas** : Indoor&Outdoor / Walls
- Ideal for** : Airports, Shopping Malls, Residences, Hospitals, Hotels, Commercial & Public Buildings etc.
- Material** : Mill Finish Aluminum (Anodizing optional), Galvanized Steel, EPDM (Only in Black Color) or TPE Gasket
- Aluminum Alloy** : EN AW 6063
- Optional Supplies** : Fire barrier, Waterproof EPDM Membrane



**SEISMIC**



\* Visuals are representative and the profile configuration may differ depending on the characteristics requested.



LOCATION	MODEL	GAP (Fb) mm	HEIGHT (H) MM	OVERALL WIDTH (B) mm	VISIBLE WIDTH (S) mm	MOVEMENT (W) mm	LOAD CAPACITY	STANDARD LENGTH (mt)
Wall to Wall	AS A156-080	80	26	313	259	± 20	N/A	3
	AS A156-100	100	26	333	279	+30/-40	N/A	3
	AS A156-150	150	26	383	329	+50/-90	N/A	3
	AS A156-200	200	26	433	379	+70/-140	N/A	3
	AS A156-250	250	26	483	429	+90/-190	N/A	3
	AS A156-300	300	26	533	479	+95/-240	N/A	3
	AS A156-400	400	26	639	585	+95/-330	N/A	3

Note: Please ask for different sizes

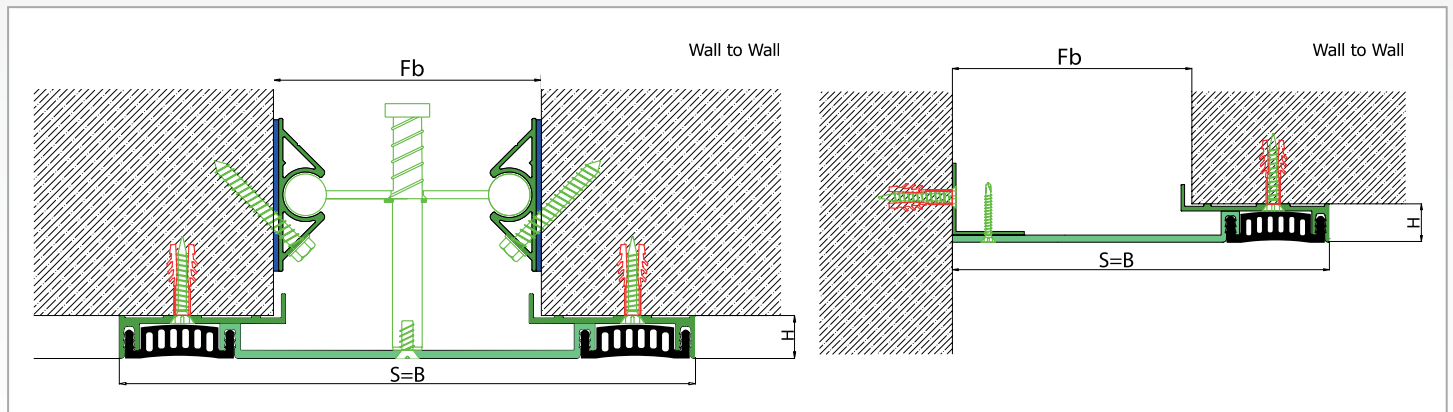
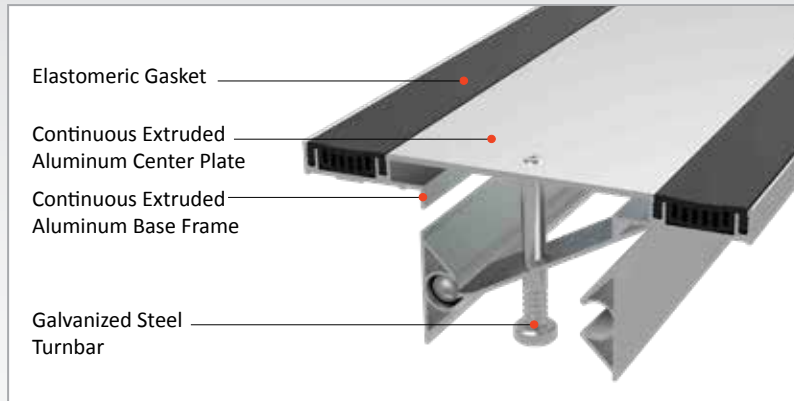


AS A159 flush mounted profile is ideal for interior applications. Dual cavity elastomeric gasket can easily be changed without demounting the profile. During the seismic activity, pursuant to ground motion, centering bar expands and narrows down the profile with high movement ability and ensures the profile to stay in its original position after the seismic activity. As an advantage, the mechanism prevents the cover falling from ceiling and wall during movement. It can be applied with floor profile AS A259 as matching model.

- Application Areas** : Indoor / Wall & Ceiling
- Ideal for** : Shopping Malls, Airports, Residences, Hospitals, Hotels, Commercial & Public Buildings etc.
- Material** : Mill Finish Aluminum (Anodizing optional), Galvanized Steel, TPE Gasket
- Aluminum Alloy** : EN AW 6063
- Optional Supplies** : Fire Barrier, Waterproof EPDM membrane

*\*This model also provides solutions for Suspended Ceiling applications, please ask for details.*

**SEISMIC**



\* Visuals are representative and the profile configuration may differ depending on the characteristics requested.



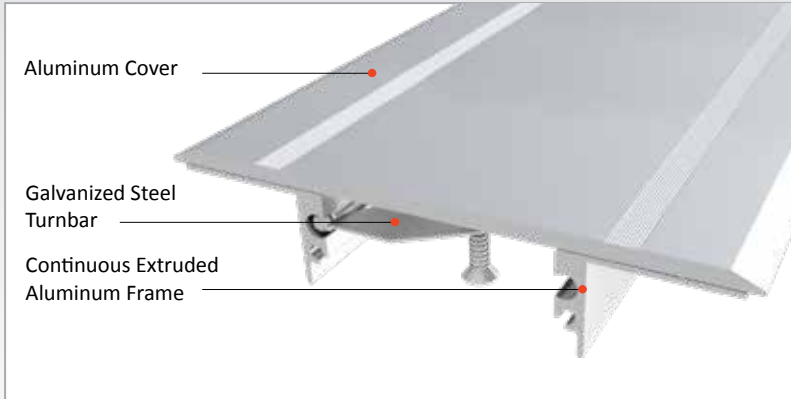
LOCATION	MODEL	GAP (Fb) mm	HEIGHT (H) MM	OVERALL WIDTH (B) mm	VISIBLE WIDTH (S) mm	MOVEMENT (W) mm	LOAD CAPACITY	STANDARD LENGTH (mt)
Wall to Wall	AS A159-100	100	16	215	215	+30/-50	N/A	3

Note: Please ask for different sizes

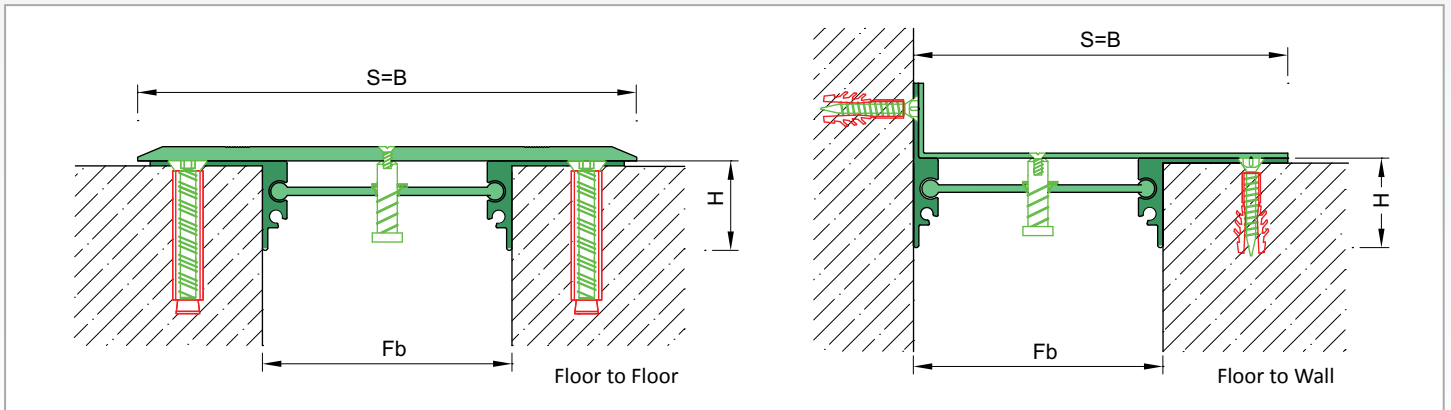
AS U281 surface mounted seismic profile is applicable to all types of floors and meets multi-directional displacements at gaps up to 250 mm. Standard load capacity is designed for pedestrians or cars depending on the gap used. On order, it can be manufactured heavy duty by using galvanized or stainless steel covers at different thicknesses. During the seismic based movements, specially designed mechanism ensures the cover plate to stay in its original position.

- Application Areas** : Indoor & Outdoor / Floor  
**Ideal for** : Car Parks, Shopping Malls, Airports, Residences, Hospitals, Hotels, Public & Commercial Buildings etc.  
**Material** : Anodized Aluminum Cover ( Galvanized or Primer Coated or Stainless Steel Optional),  
 Mill Finish Aluminum Frame, Galvanized Steel  
**Aluminum Alloy** : EN AW 6063  
**Optional Supplies** : Fire Barrier, Waterproof EPDM membrane

**20**  
 km/h



**SEISMIC**



\* Visuals are representative and the profile configuration may differ depending on the characteristics requested.

LOCATION	MODEL	GAP (Fb) mm	HEIGHT (H) MM	OVERALL WIDTH (B) mm	VISIBLE WIDTH (S) mm	MOVEMENT (W) mm	LOAD CAPACITY	STANDARD LENGTH (mt)
Floor to Floor	AS U281-050	50	35	150	150	± 15		3
	AS U281-075	75	35	175	175	+25 /-45		3
	AS U281-100	100	35	200	200	+35 /-60		3
	AS U281-150	150	35	250	250	+55 /-95		3
	AS U281-200	200	35	300	300	+75 /-130		3
	AS U281-250	250	35	350	350	+90 /-170		3

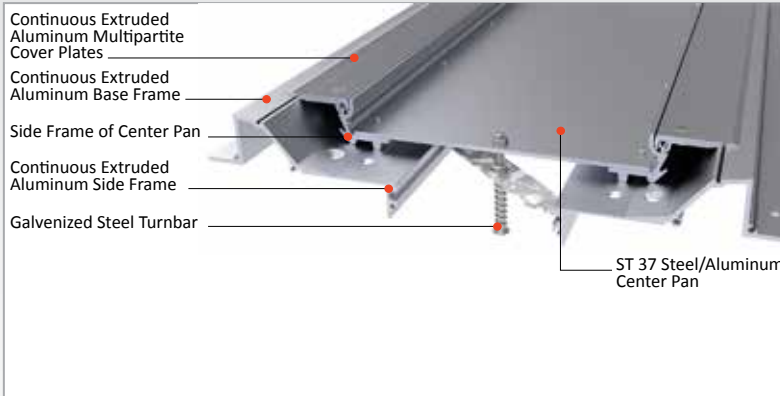
Note: Please ask for different sizes



AS A239 model seismic profiles are designed for interior and exterior applications and provide horizontal and lateral shear movements at large openings. They can be applied with many different types of finishes (granite, marble, ceramic etc.) at different thickness. During the seismic based contractions, specially designed pop-up mechanism ascends the center plate without damaging the finish placed on it and gets back to origin after activity is over. In case of continuous displacements caused by ground settlements, if needed, upper and lower brackets can easily be changed with a more compatible one. They are ideal for the places with heavy pedestrian traffic and high earthquake risk.

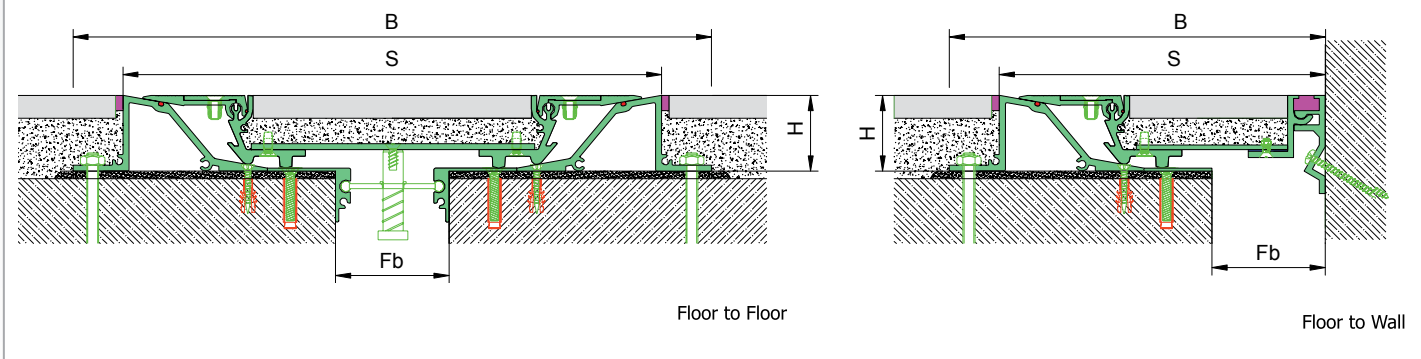
- Application Areas** : Indoor & Outdoor / Floor
- Ideal for** : Airports, Shopping Malls, Residences, Hospitals, Hotels, Commercial & Public Buildings etc.
- Material** : Mill Finish Aluminum (Anodizing optional), Primer Coated ST 37 Steel, Galvanized Steel
- Aluminum Alloy** : EN AW 6063
- Optional Supplies** : PU Mastic, Fire Barrier, Waterproof EPDM membrane

**10**  
km/h



**SEISMIC**

Utility Model Registration No: 2019/00585



\* Visuals are representative and the profile configuration may differ depending on the characteristics requested.

LOCATION	MODEL	GAP (Fb) mm	HEIGHT (H) MM	OVERALL WIDTH (B) mm	VISIBLE WIDTH (S) mm	MOVEMENT (W) mm	LOAD CAPACITY	STANDARD LENGTH (mt)
Wall to Wall	AS A239-075	75	50	422	356	+25 / -45	🧑 / 🛒	3
	AS A239-100	100	50	447	381	+35 / -60	🧑 / 🛒	3
	AS A239-150	150	50	497	431	+55 / -105	🛒	3
	AS A239-200	200	50	577	511	+75 / -140	🧑 / 🛒	3
	AS A239-250	250	50	597	531	+65 / -180	🧑 / 🛒	3

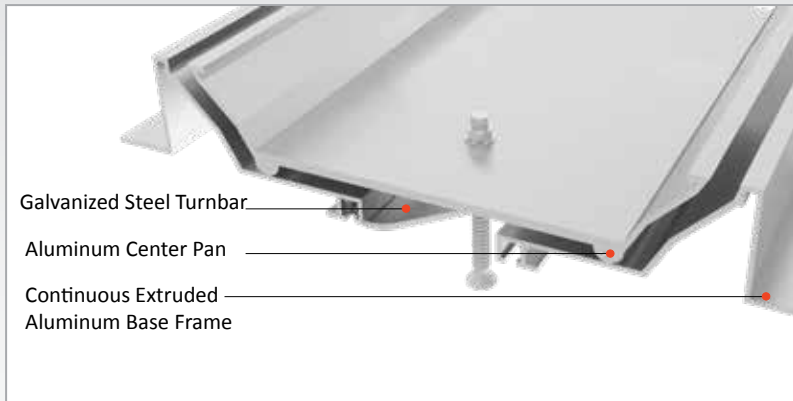
Note: Please ask for different sizes



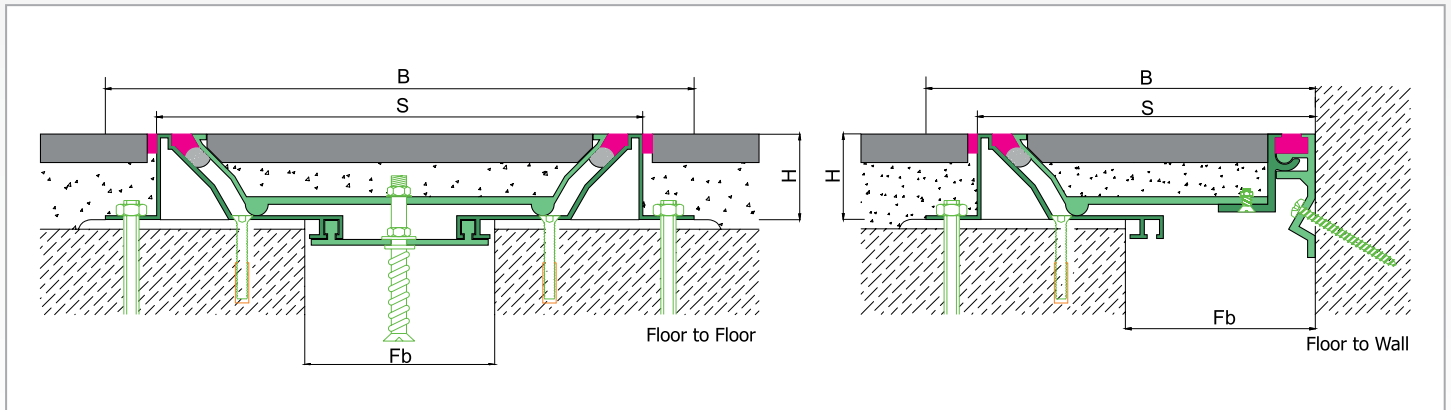


AS A250 model seismic profiles are designed for interior and exterior applications and provide horizontal and lateral shear movements at large openings. They can be applied with many different types of finishes (granite, marble, ceramic etc) at different thicknesses. During the seismic based contractions, specially designed pop-up mechanism ascends the center plate without damaging the finish placed on it and gets back to origin after activity is over. Thermal expansion or contraction doesn't activate the center plate. Almost invisible profiles give a decorative aspect to the spaces with the continuous floor covering view. They are ideal for the places with heavy pedestrian traffic and high earthquake risk. Movement ability can be increased by using long type turnbar.

- Application Areas** : Indoor & Outdoor / Floor
- Ideal for** : Airports, Shopping Malls, Residences, Hospitals, Hotels, Commercial & Public Buildings etc.
- Material** : Aluminum Center Pan (Galvanized or Primer Coated or Stainless Steel Optional),  
 Mill Finish Aluminum Base Frame, Galvanized Steel
- Aluminum Alloy** : EN AW 6063
- Optional Supplies** : PE Backing Rod, PU Mastic, Fire Barrier, Waterproof EPDM membrane



**SEISMIC**



\* Visuals are representative and the profile configuration may differ depending on the characteristics requested.

LOCATION	MODEL	GAP (Fb) mm	HEIGHT (H) MM	OVERALL WIDTH (B) mm	VISIBLE WIDTH (S) mm	MOVEMENT (W) mm	LOAD CAPACITY	STANDARD LENGTH (mt)
Floor to Floor	AS A250-075	75	45 / 89	290	236	± 22	1 person	3
	AS A250-100	100	45 / 89	315	261	+30 / -50	1 person	3
	AS A250-150	150	45 / 89	365	311	+50 / -100	1 person	3
	AS A250-175	175	45 / 89	390	336	+60 / -130	1 person	3
	AS A250-200	200	45 / 89	415	361	+55 / -150	1 person	3
	AS A250-250	250	45 / 89	465	411	+55 / -200	1 person	3
	AS A250-300	300	45 / 89	515	461	+60 / -250	1 person	3
	AS A250-400	400	45 / 89	616	561	+60 / -330	1 person	3

Note: Please ask for different sizes

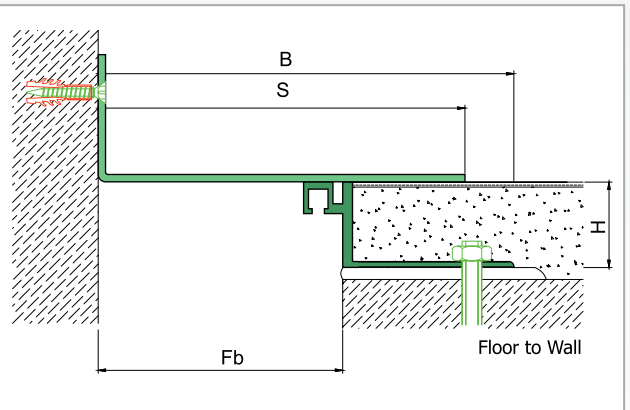
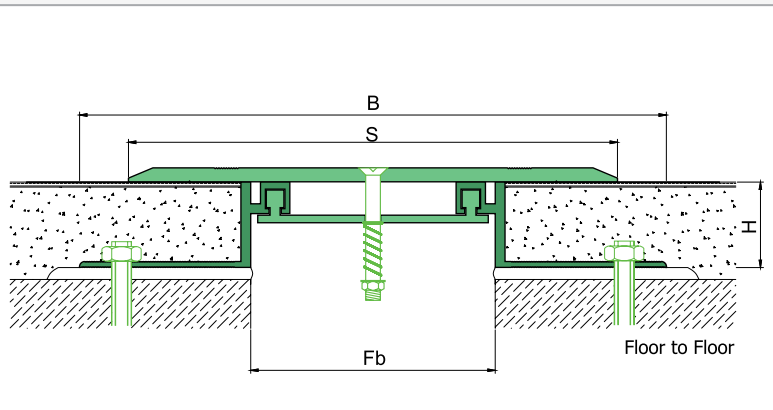
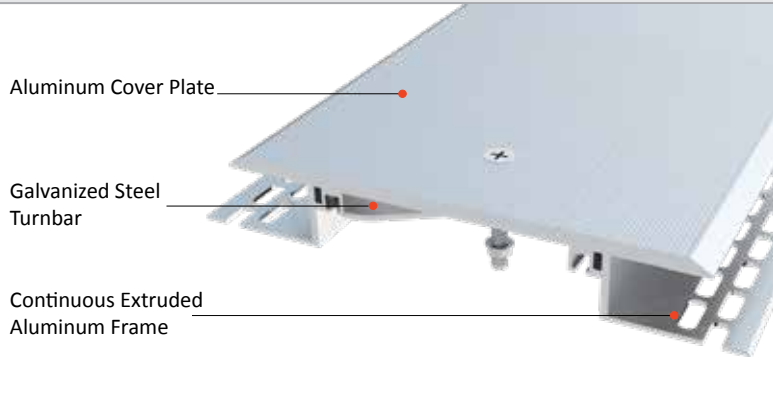




AS A253 flush mounted seismic profile provides a multi-directional movement at gaps up to 200 mm and standard load capacity is designed for cars and pedestrians. On order, it can be manufactured heavy duty by using galvanized or stainless steel covers at different thicknesses. During the seismic activity, pursuant to ground motion, centering bar expands and narrows down the profile with a high movement ability and ensures the cover plate to stay in its original position after the seismic activity. It's ideal for places with pedestrian or vehicle traffic and can be applied to all types of floor finishes.

- Application Areas** : Indoor & Outdoor / Floor
- Ideal for** : Car Parks, Airports, Shopping Malls, Residences, Hospitals, Hotels, Commercial & Public Buildings etc.
- Material** : Anodized Aluminum Cover Plate (Galvanized or Primer Coated or Stainless Steel Optional), Mill Finish Aluminum Frame, Galvanized Steel
- Aluminum Alloy** : EN AW 6063
- Optional Supplies** : Fire Barrier, Waterproof EPDM membrane

**20**  
km/h



\* Visuals are representative and the profile configuration may differ depending on the characteristics requested.

LOCATION	MODEL	GAP (Fb) mm	HEIGHT (H) MM	OVERALL WIDTH (B) mm	VISIBLE WIDTH (S) mm	MOVEMENT (W) mm	LOAD CAPACITY	STANDARD LENGTH (mt)
Floor to Floor	AS A253-060	60	35	200	150	+17 / -13		3
	AS A253-075	75	35	215	150	+23 / -28		3
	AS A253-100	100	35	240	200	+33 / -50		3
	AS A253-150	150	35	290	250	+54 / -95		3
	AS A253-200	200	35	340	300	+68 / -150		3

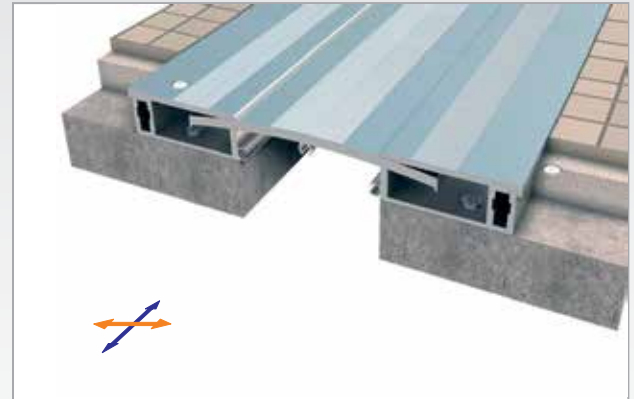
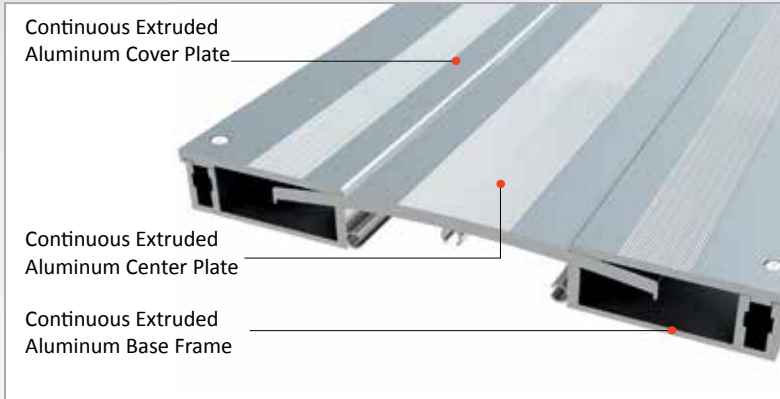
Note: Please ask for different sizes



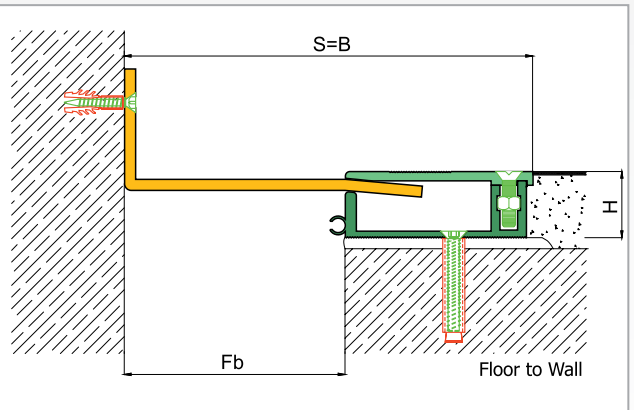
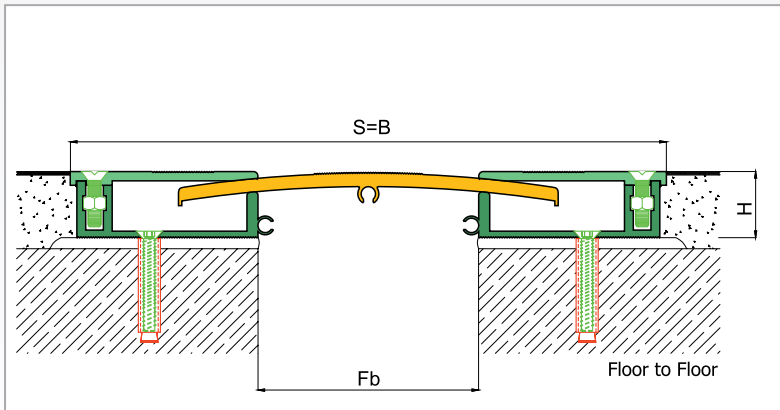
AS A255 functions as a flush mounted seismic floor profile. Though it's designed for car traffic, pure metal structure, maintenance-free and wear resistance properties make it favourable also for places with heavy pedestrian traffic. Base frames of the profile are fixed on the surface and cover plates are screwed on them. The movable center plate is placed in between and can meet horizontal and lateral shear displacements.

- Application Areas** : Indoor & Outdoor / Floor
- Ideal for** : Car Parks, Airports, Shopping Malls, Residences, Hospitals, Hotels, Commercial & Public Buildings etc.
- Material** : Mill Finish Aluminum (Anodizing optional)
- Aluminum Alloy** : EN AW 6063
- Optional Supplies** : Fire Barrier, Waterproof EPDM membrane

**20**  
km/h



**SEISMIC**



\* Visuals are representative and the profile configuration may differ depending on the characteristics requested.

LOCATION	MODEL	GAP (Fb) mm	HEIGHT (H) MM	OVERALL WIDTH (B) mm	VISIBLE WIDTH (S) mm	MOVEMENT (W) mm	LOAD CAPACITY	STANDARD LENGTH (mt)
Floor to Floor	AS A255-050*	50	30	220	220	+26 / -36		3
	AS A255-100*	100	30	270	270	+60 / -60		3

Note: Please ask for different sizes

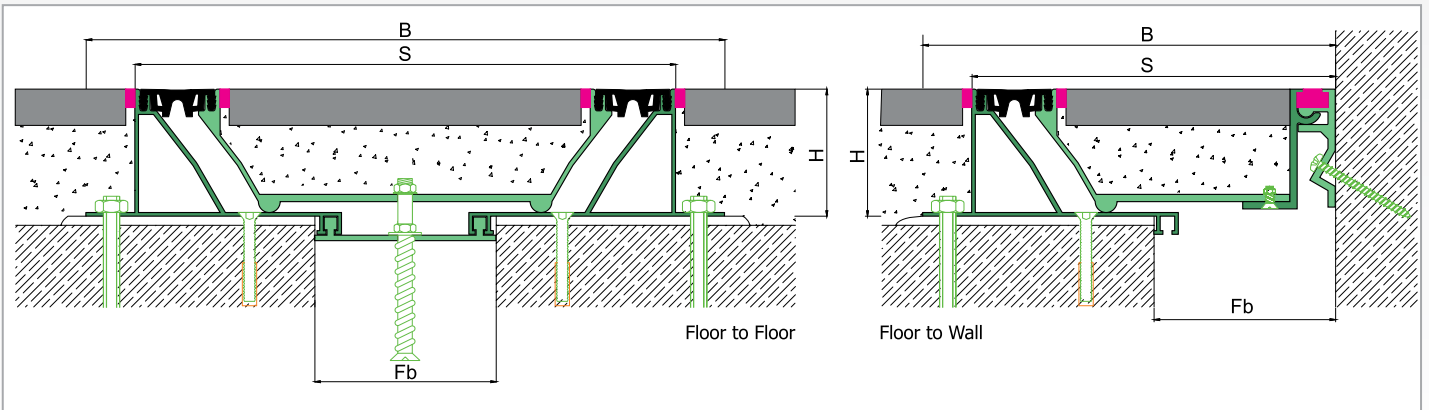
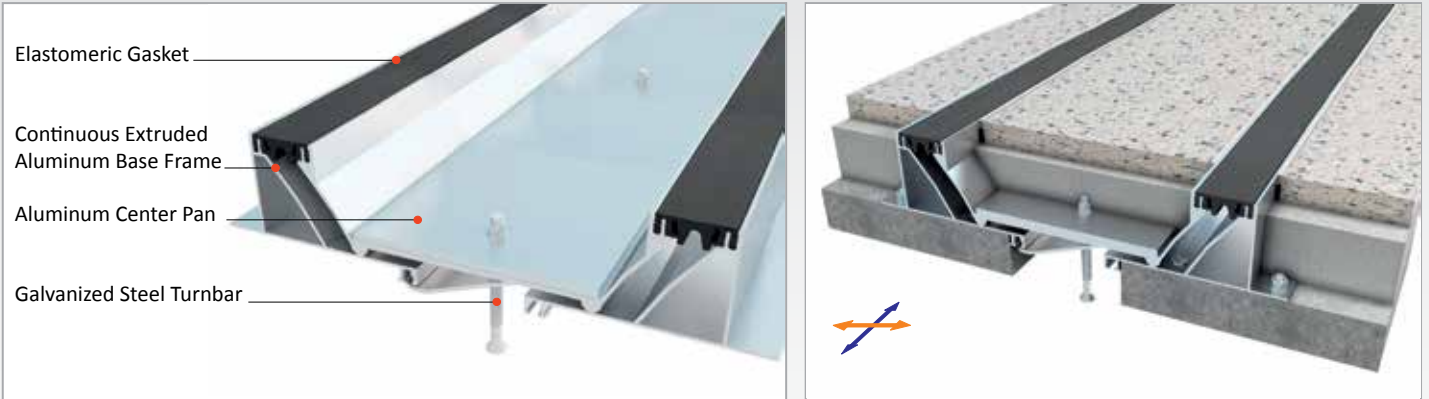
\* Limited with the stocks



AS A256 model seismic profiles are designed for interior and exterior applications and provide horizontal and lateral shear movements at large openings. They can be applied with many different types of finishes (granite, marble, ceramic etc) at different thicknesses. During the seismic based contractions, specially designed pop-up mechanism ascends the center plate without damaging the finish placed on it and gets back to origin after activity is over. Thermal expansion or contraction doesn't activate the center plate. Unlike AS A250 model, interchangeable gasket is used to cover the space between base frame and center plate. They are ideal for the places with heavy pedestrian traffic and high earthquake risk. Movement ability can be increased by using long type turnbar.

- Application Areas** : Indoor & Outdoor / Floor
- Ideal for** : Shopping Malls, Airports, Residences, Hospitals, Hotels, Public Buildings etc.
- Material** : Aluminum Center Pan (Galvanized or Primer Coated or Stainless Steel Optional),  
 Mill Finish Aluminum Base Frame, Galvanized Steel, EPDM (Only in Black Color) or TPE Gasket
- Aluminum Alloy** : EN AW 6063
- Optional Supplies** : Fire Barrier, Waterproof EPDM membrane

**SEISMIC**



\* Visuals are representative and the profile configuration may differ depending on the characteristics requested.



LOCATION	MODEL	GAP (Fb) mm	HEIGHT (H) MM	OVERALL WIDTH (B) mm	VISIBLE WIDTH (S) mm	MOVEMENT (W) mm	LOAD CAPACITY	STANDARD LENGTH (mt)
Floor to Floor	AS A256-080	80	45	313	259	+25 / -20	1 person	3
	AS A256-100	100	45	333	279	+30 / -45	1 person	3
	AS A256-100	100	70	352	298	+30 / -50	1 person	3
	AS A256-150	150	45	383	329	+50 / -90	1 person	3
	AS A256-200	200	45	433	382	+70 / -145	1 person	3
	AS A256-200	200	70	452	398	+40 / -135	1 person	3
	AS A256-250	250	45	483	432	+70 / -190	1 person	3
	AS A256-300	300	45	539	485	+70 / -230	1 person	3
	AS A256-400	400	45	639	585	+70 / -300	1 person	3

Note: Please ask for different sizes





AS A257 flush mounted seismic profile provides a multi-directional movement at gaps up to 250 mm. During the seismic based contractions, specially designed pop-up mechanism ascends the cover plate and gets back to origin after activity is over. Cover plate can be made of aluminum, galvanized or stainless steel at different thicknesses depending the load bearing capacity needed. Ideal for places with pedestrian or vehicle traffic with all types of floor finishes.

**Application Areas** : Indoor & Outdoor / Floor

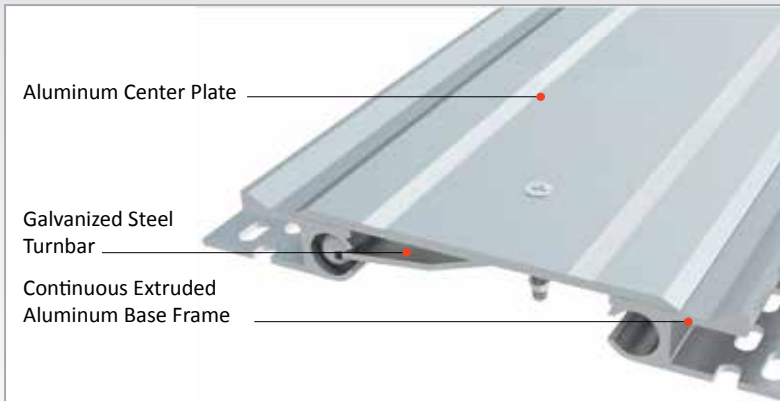
**Ideal for** : Factories, Warehouses, Car Parks, Airports, Shopping Malls, Residences, Hospitals, Hotels, Commercial & Public Buildings etc.

**Material** : Anodized Aluminum Cover Plate (Galvanized or Primer Coated or Stainless Steel Optional),  
 Mill Finish Aluminum Frame, Galvanized Steel

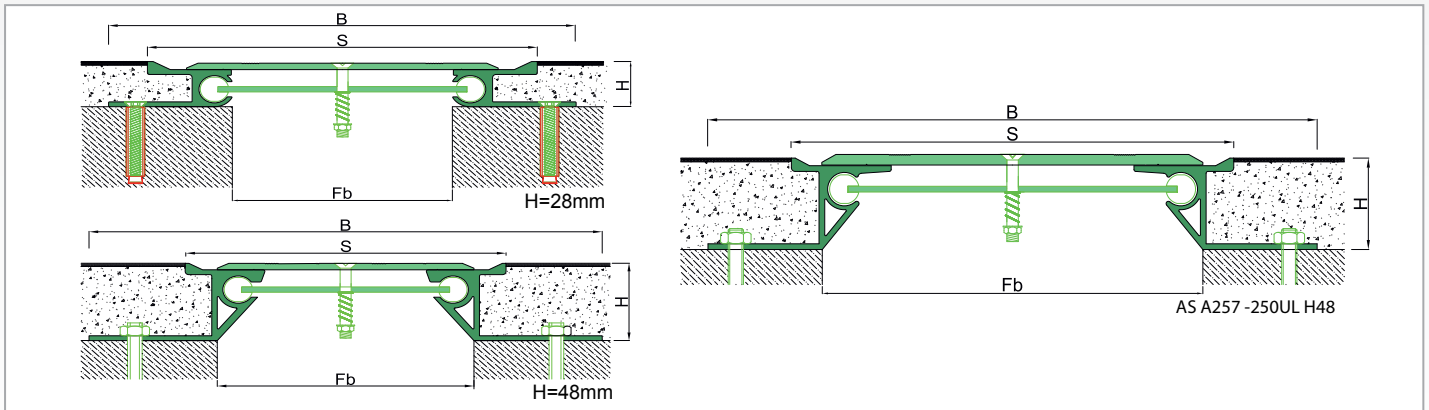
**Aluminum Alloy** : EN AW 6063

**Optional Supplies** : Fire Barrier, Waterproof EPDM membrane

20  
km/h



SEISMIC



\* Visuals are representative and the profile configuration may differ depending on the characteristics requested.

LOCATION	MODEL	GAP (Fb) mm	HEIGHT (H) MM	OVERALL WIDTH (B) mm	VISIBLE WIDTH (S) mm	MOVEMENT (W) mm	LOAD CAPACITY	STANDARD LENGTH (mt)
Floor to Floor	AS A257-075	75	28	209	167	+30 / -65		3
	AS A257-100	100	28	234	192	+30 / -90		3
	AS A257-120	120	28	254	212	+40 / -110		3
	AS A257-150	150	28	284	242	+40 / -135		3
	AS A257-050	50	28	184	142	+25 / -40		3
	AS A257-100	100	48	240	135	+20 / -50		3
	AS A257-150	150	48	290	185	+20 / -100		3
	AS A257-200	200	48	340	235	+20 / -145		3
	AS A257-250UL	250	48	370	282	+40 / -145		3

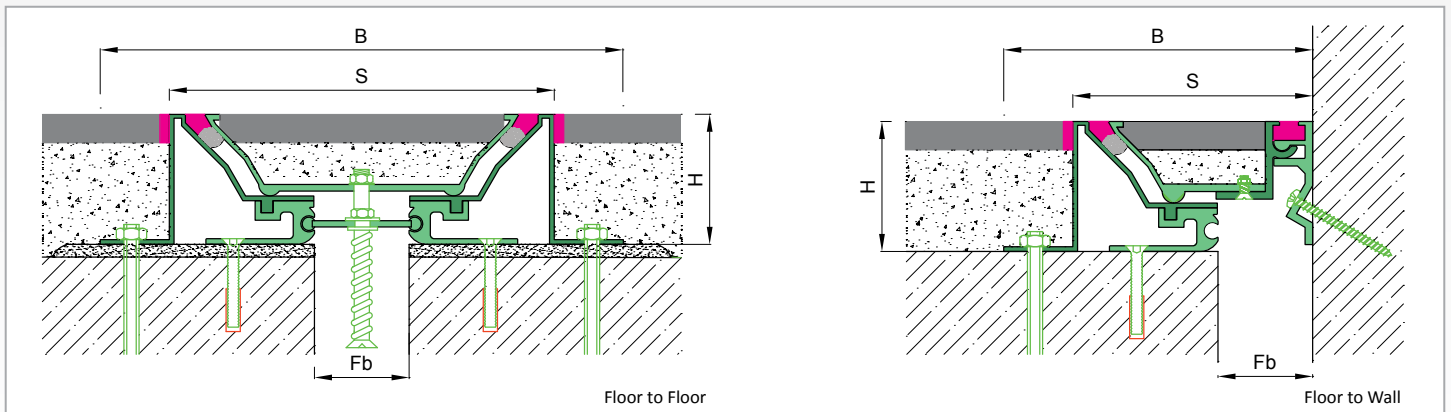
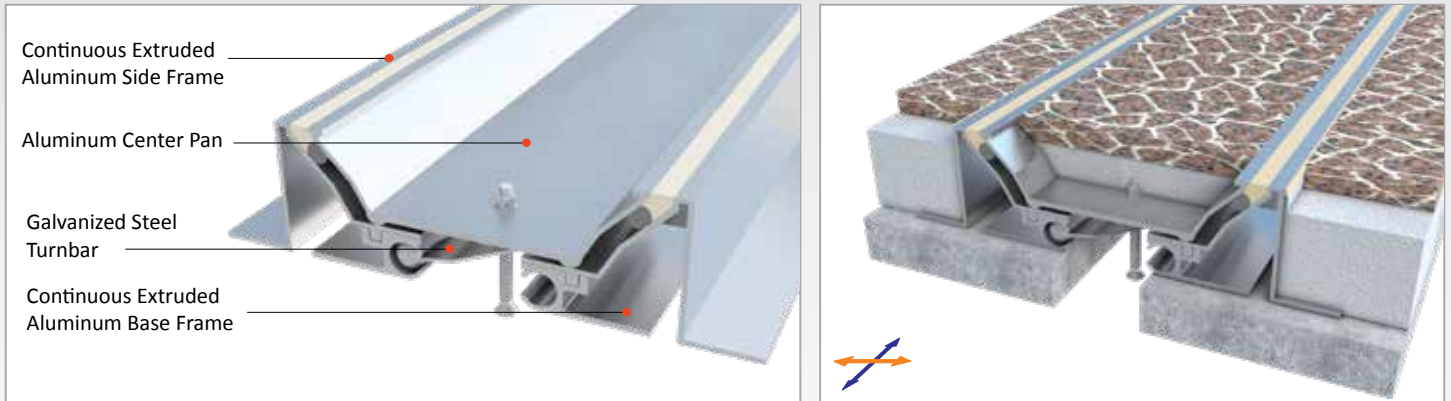
Note: Please ask for different sizes



AS A258 seismic profile can be applied with many different types of finishes (granite,marble,ceramic etc.) at different thicknesses. During the seismic based contractions, pop-up mechanism ascends the center plate without damaging the finish placed on it and gets back to origin after activity is over. Thermal expansion or contraction doesn't activate the center plate. They are ideal for the places with heavy pedestrian traffic and high earthquake risk.

- Application Areas** : Indoor & Outdoor / Floor  
**Ideal for** : Airports, Shopping Malls, Residences, Hospitals, Hotels, Public & Commercial Buildings etc.  
**Material** : Aluminum Center Pan (Galvanized or Primer Coated or Stainless Steel Optional), Mill Finish Aluminum Side Frame, Galvanized Steel  
**Aluminum Alloy** : EN AW 6063  
**Optional Supplies** : PE Backing Rod, PU Mastic, Fire Barrier, Waterproof EPDM membrane

**SEISMIC**



\* Visuals are representative and the profile configuration may differ depending on the characteristics requested.

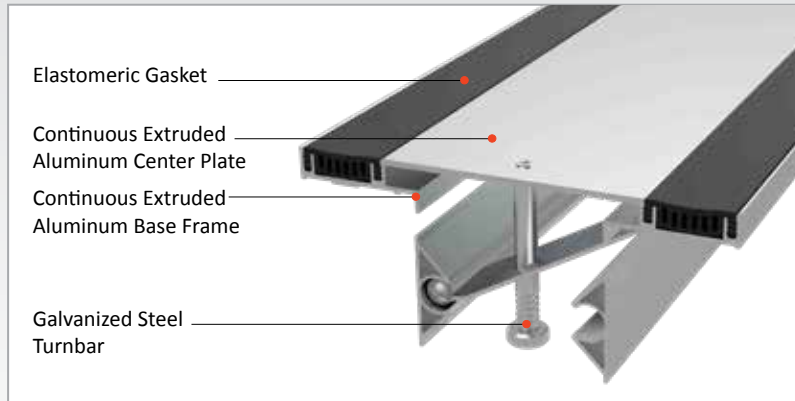
LOCATION	MODEL	GAP (Fb) mm	HEIGHT (H) MM	OVERALL WIDTH (B) mm	VISIBLE WIDTH (S) mm	MOVEMENT (W) mm	LOAD CAPACITY	STANDARD LENGTH (mt)
Floor to Floor	AS A258-050	50	68	276	203	+25 / -35	1 person	3
	AS A258-100	100	68	326	253	+30 / -75	1 person	3
	AS A258-150	150	68	376	303	+30 / -110	1 person	3
	AS A258-200	200	68	426	353	+30 / -150	1 person	3
	AS A258-250	250	68	476	403	+30 / -185	1 person	3
	AS A258-300	300	68	526	453	+30 / -210	1 person	3
	AS A258-400	400	68	626	553	+30 / -295	1 person	3

Note: Please ask for different sizes

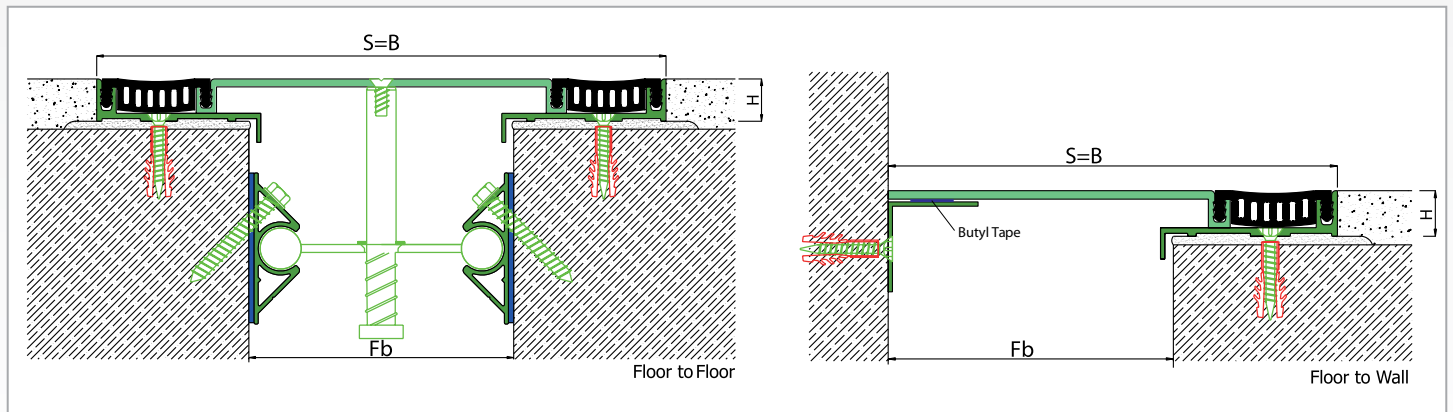


AS A259 flush mounted profile is applicable to all types of floors and load bearing capacity is designed for pedestrians. Dual cavity elastomeric gasket provides high movement ability and can easily be changed without demounting the profile. During the seismic activity, pursuant to ground motion, centering bar expands and narrows down the profile with high movement ability and ensures the profile to stay in its original position after the seismic activity. It can be applied with floor profile AS A159 as matching model.

- Application Areas** : Indoor & Outdoor/ Floor
- Ideal for** : Shopping Malls, Airports, Residences, Hospitals, Hotels, Commercial & Public Buildings etc.
- Material** : Mill Finish Aluminum (Anodizing optional), Galvanized Steel, TPE Gasket
- Aluminum Alloy** : EN AW 6063
- Optional Supplies** : Fire Barrier, Waterproof EPDM membrane



**SEISMIC**



\* Visuals are representative and the profile configuration may differ depending on the characteristics requested.



LOCATION	MODEL	GAP (Fb) mm	HEIGHT (H) MM	OVERALL WIDTH (B) mm	VISIBLE WIDTH (S) mm	MOVEMENT (W) mm	LOAD CAPACITY	STANDARD LENGTH (mt)
Floor to Floor	AS A259-100	100	16	215	215	+30/-50	🧑	3

Note: Please ask for different sizes

AS A265 flush mounted seismic profile can be manufactured at 3 different heights and provides two-way movement at different gaps. During the seismic based contractions, specially designed pop-up mechanism ascends the cover plate and gets back to origin after activity is over. Cover plate can be made of aluminum, galvanized or stainless steel at different thicknesses based on the load bearing capacity needed. In exterior applications, AS A265 can be installed with specific vapor barrier to ensure waterproofing.

**Application Areas** : Indoor & Outdoor / Floor

**Ideal for** : Factories, Warehouses, Car Parks, Airports, Shopping Malls, Residences, Hospitals, Hotels, Commercial & Public Buildings etc.

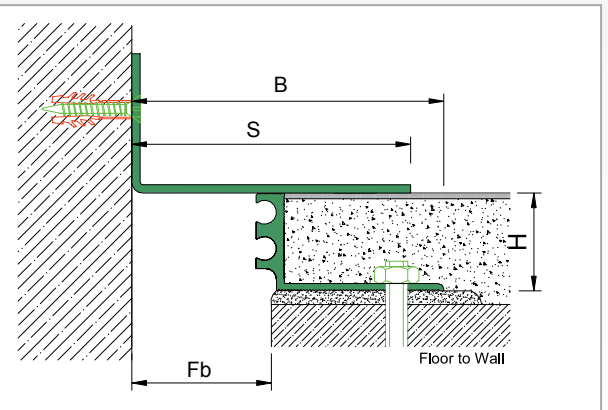
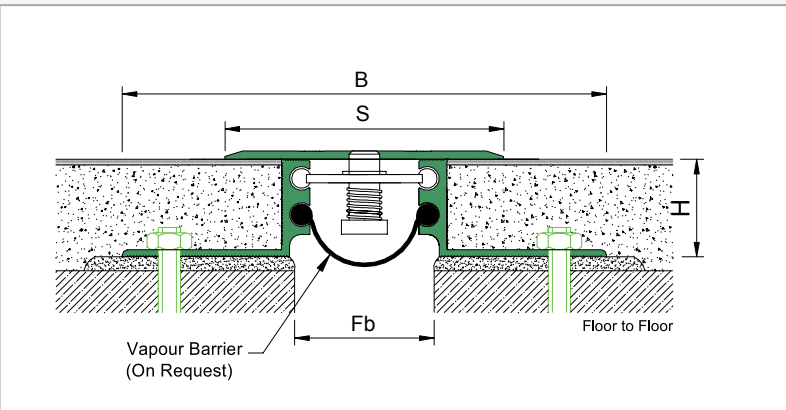
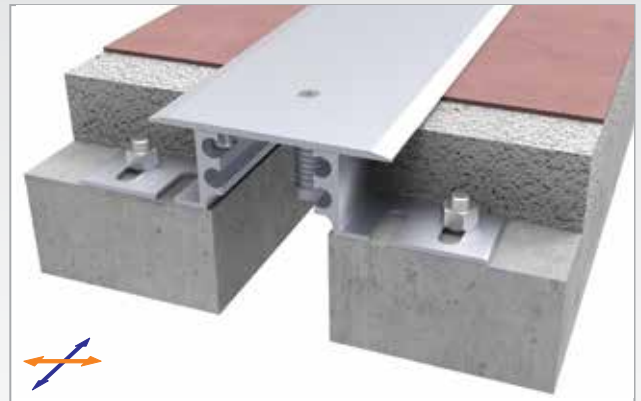
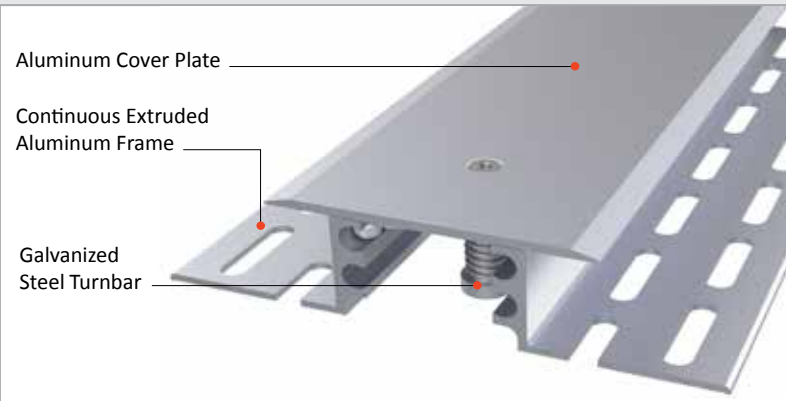
**Material** : Anodized Aluminum Cover Plate (Galvanized or Primer Coated or Stainless Steel Optional), Mill Finish Aluminum Frame, Galvanized Steel

**Aluminum Alloy** : EN AW 6063

**Optional Supplies** : Fire Barrier, Waterproof EPDM membrane

**20**  
km/h

**SEISMIC**



\* Visuals are representative and the profile configuration may differ depending on the characteristics requested.

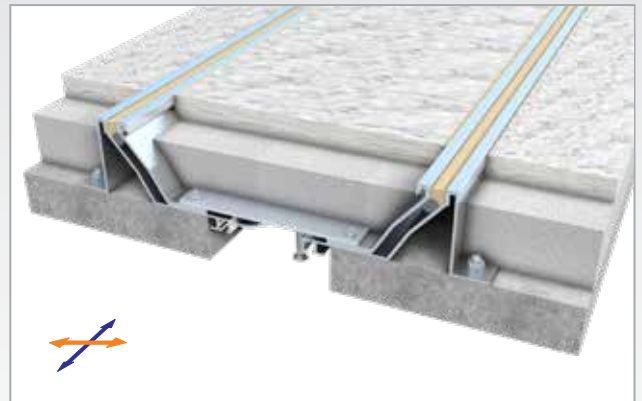
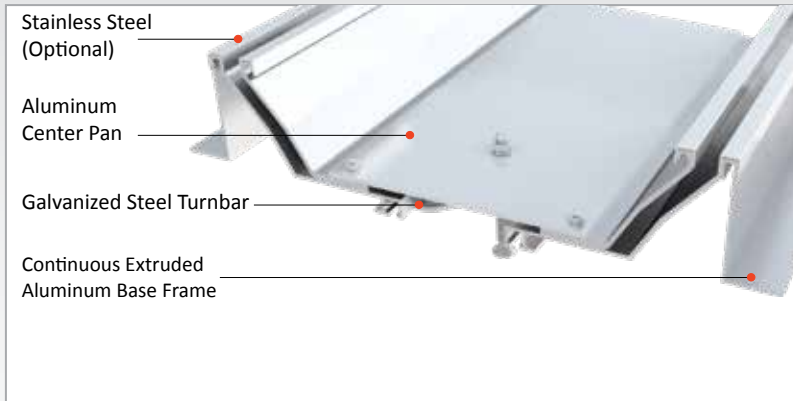
LOCATION	MODEL	GAP (Fb) mm	HEIGHT (H) MM	OVERALL WIDTH (B) mm	VISIBLE WIDTH (S) mm	MOVEMENT (W) mm	LOAD CAPACITY	STANDARD LENGTH (mt)
Floor to Floor	AS A265-050	50	35/43/60	174	100	+18 / -25		3
	AS A265-080	80	35/43/60	202	150	+30 / -44		3
	AS A265-100	100	35/43/60	222	200	+38 / -55		3
	AS A265-150	150	35/43/60	272	250	+55 / -80		3
	AS A265-200	200	35/43/60	322	300	+80 / -110		3
	AS A265-250	250	35/43/60	372	350	+80 / -145		3

Note: Please ask for different sizes

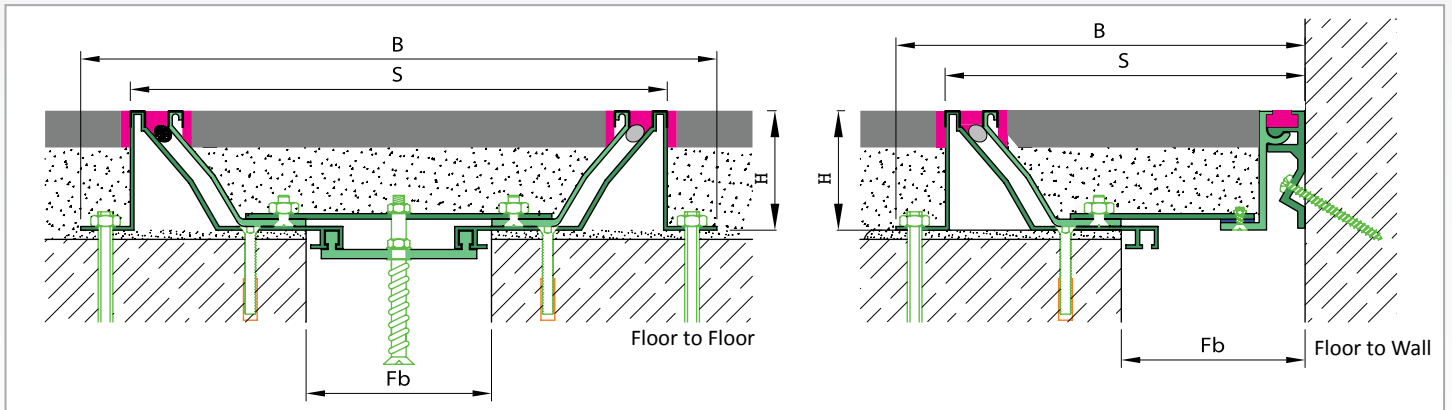
AS A266 seismic profile can be applied with many different types of finishes (granite,marble,ceramic etc.) at different thicknesses. During the seismic based contractions , pop-up mechanism ascends the center plate without damaging the finish placed on it and gets back to origin after activity is over.Thermal expansion or contraction doesn't activate the center plate. They are ideal for the places with heavy pedestrian traffic and high earthquake risk.

It differs from AS A250 with snap-on stainless steel cap, 65 mm height, and multipartite middle bowl system.

- Application Areas** : Indoor & Outdoor / Floor
- Ideal for** : Airports, Shopping Malls, Residences, Hospitals, Hotels, Commercial and Public Buildings etc.
- Material** : Aluminum Center Pan (Galvanized or Primer Coated or Stainless Steel Optional),  
Mill Finish Aluminum Base Frame, Galvanized Steel
- Aluminum Alloy** : EN AW 6063
- Optional Supplies** : PE Backing Rod, PU Mastic, Fire Barrier, Waterproof EPDM membrane



**SEISMIC**



\* Visuals are representative and the profile configuration may differ depending on the characteristics requested.

LOCATION	MODEL	GAP (Fb) mm	HEIGHT (H) MM	OVERALL WIDTH (B) mm	VISIBLE WIDTH (S) mm	MOVEMENT (W) mm	LOAD CAPACITY	STANDARD LENGTH (mt)
Floor to Floor	AS A266-100	100	65	350	296	+30 / -45	1 Person	3
	AS A266-150	150	65	400	346	+45 / -95	1 Person	3
	AS A266-200	200	65	450	396	+50 / -145	1 Person	3
	AS A266-300	300	65	550	496	+50 / -220	1 Person	3

Note: Please ask for different sizes



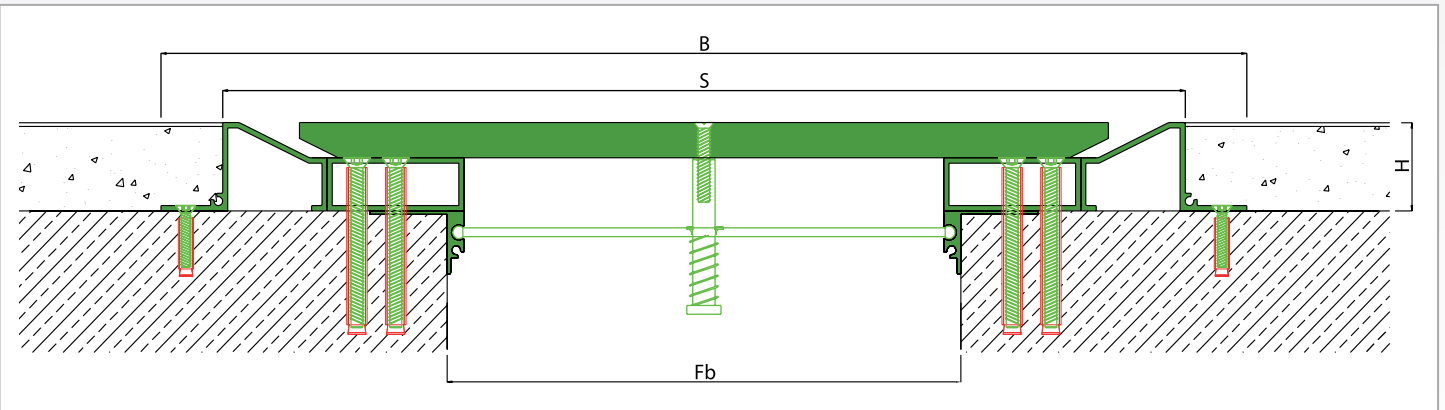
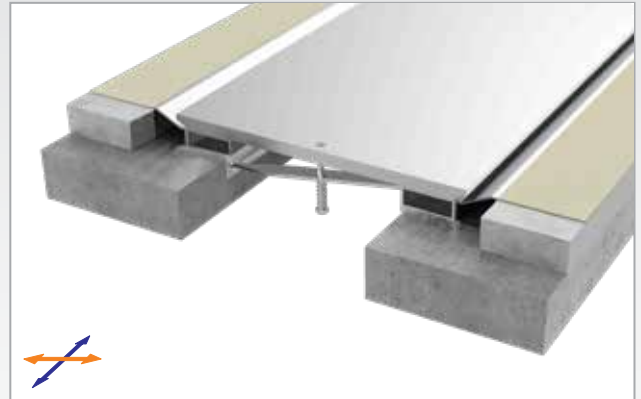
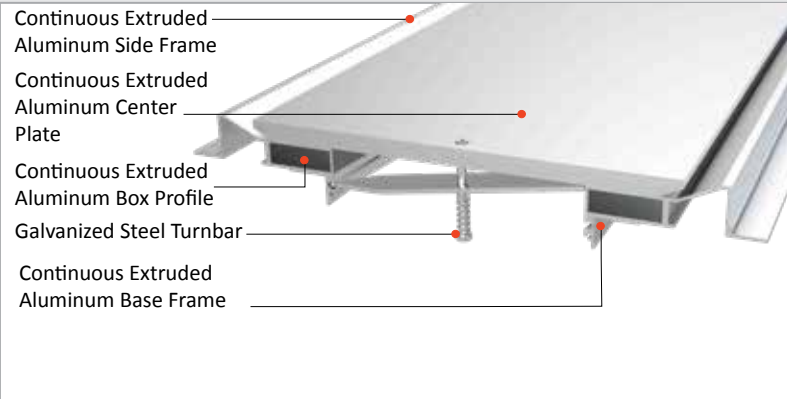


AS A269 model seismic profiles are designed for interior and exterior applications and provide horizontal and lateral shear movements at gaps up to 500 mm. They can be applied with many different types of finishes. During the seismic based contractions, specially designed pop-up mechanism ascends the center plate without damaging the finish placed on it and gets back to origin after activity is over. They are ideal for the places with car and heavy pedestrian traffic. On order, it can be manufactured heavy duty by using galvanized or stainless steel center plates.

- Application Areas** : Indoor & Outdoor / Floor
- Ideal for** : Airports, Shopping Malls, Residences, Hospitals, Hotels, Commercial and Public Buildings etc.
- Material** : Mill Finish Aluminum (Anodizing optional), Galvanized Steel  
 Aluminum Center Plate (Galvanized or Primer Coated or Stainless Steel Optional)
- Aluminum Alloy** : EN AW 6063
- Optional Supplies** : Fire Barrier, Waterproof EPDM membrane

**20**  
 km/h

**SEISMIC**



\* Visuals are representative and the profile configuration may differ depending on the characteristics requested.

LOCATION	MODEL	GAP (Fb) mm	HEIGHT (H) MM	OVERALL WIDTH (B) mm	VISIBLE WIDTH (S) mm	MOVEMENT (W) mm	LOAD CAPACITY	STANDARD LENGTH (mt)
Floor to Floor	AS A269-300	300	50	634	562	+115/-205		3
	AS A269-500	500	50	834	762	+140/-330		3

Note: Please ask for different sizes





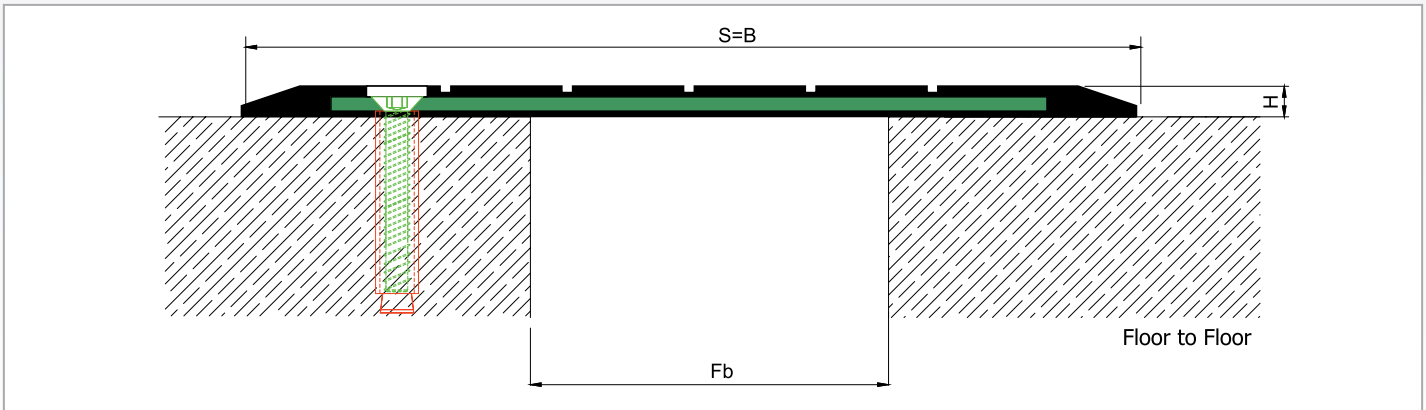
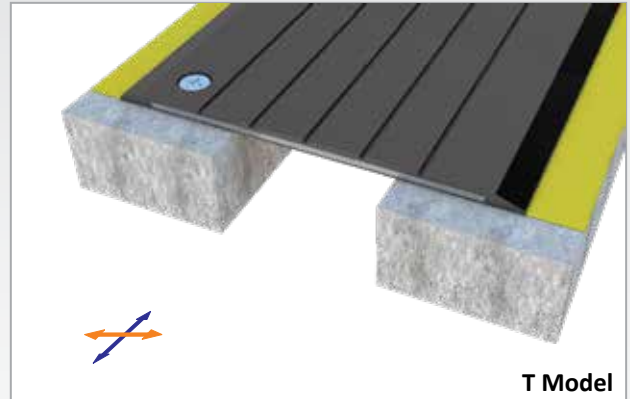
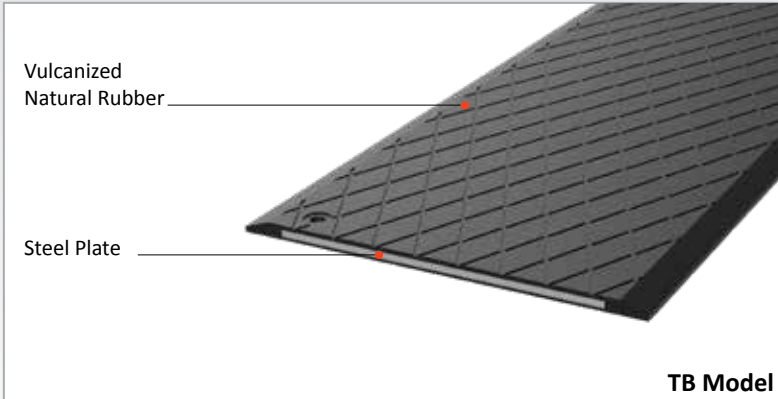
AS U271 floor profile is designed for heavy vehicular traffic areas and can meet displacements in 2 directions. Steel plate is embedded in molded natural rubber with vulcanization process. Wall thickness of steel plates vary from 3 to 16 mm depending on the profile height and other characteristics inquired. And the profile is available up to 600 mm width. Rubber cover reduces the sound caused by vehicles and also protects the profile against deformation. AS U271 ensures a smooth and non-skid transmission across the gaps and helps to minimize the risk of tripping hazards. Profile can easily be installed by means of steel anchors.

**Application Areas** : Indoor & Outdoor / Floor

**Ideal for** : Factories, Warehouses, Car Parks, Airports, Shopping Malls, Stadiums, Public Buildings etc.

**Material** : ST 37 Steel Plate, Natural Rubber (NR)

**Optional Supplies** : Fire Barrier, Waterproof EPDM membrane



\* Visuals are representative and the profile configuration may differ depending on the characteristics requested.

RUBBER COLORS **BLACK**

LOCATION	MODEL	GAP (Fb) mm	HEIGHT (H) MM	OVERALL WIDTH (B) mm	VISIBLE WIDTH (S) mm	MOVEMENT (W) mm	LOAD CAPACITY	STANDARD LENGTH (mt)
Floor to Floor	AS U271-050TB	50	8/9/10	200	200	+30 / -50	30 kN→600 kN	2
	AS U271-100TB	100	8/9/10	250	250	+30 / -100	30 kN→600 kN	2
	AS U271-150TB	150	8/9/10/14/15	300	300	+30 / -150	30 kN→300 kN	2
	AS U271-200TB	200	20/21	350	350	+25 / -200	30 kN→120 kN	2
	AS U271-250TB	250	25/26	400	400	+25 / -250	30 kN→120 kN	2
	AS U271-050T	50	8/9/10	200	200	+30 / -50	30 kN→600 kN	2
	AS U271-100T	100	8/9/10	250	250	+30 / -100	30 kN→600 kN	2
	AS U271-150T	150	8/9/10/14/15	300	300	+30 / -150	30 kN→300 kN	2

Note: Please ask for different sizes

INDUSTRIAL & PARKING AREAS

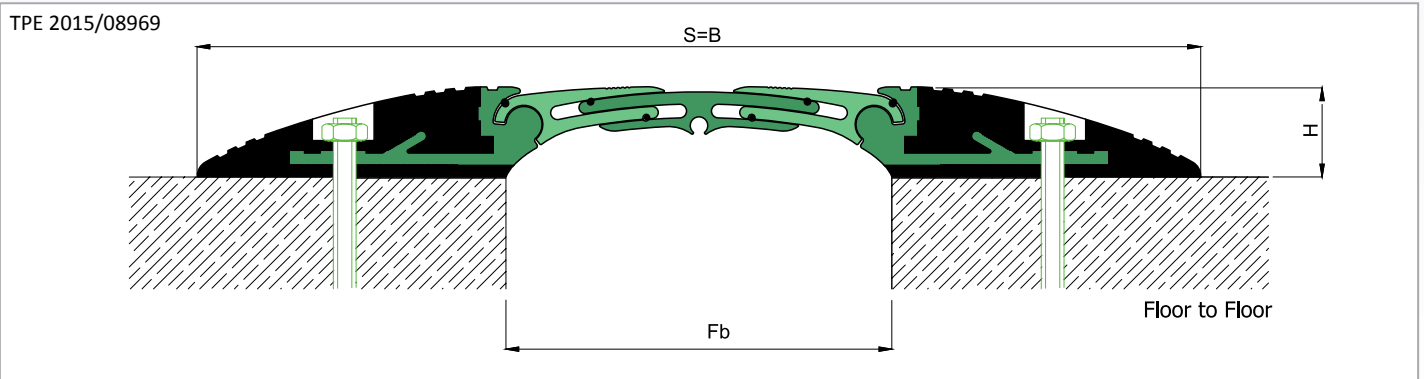
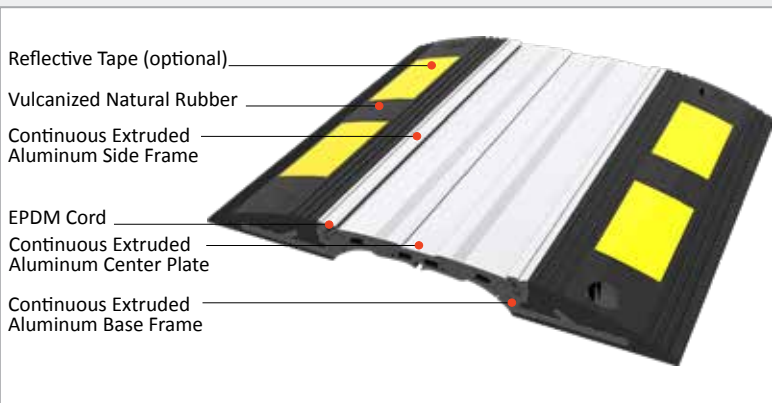


AS U274 heavy duty floor profile functions as a speed bump as well as an expansion joint and is designed for places with heavy vehicular traffic. It's a combination of Asteknik's patented profile AS A263 and natural rubber. Natural Rubber hot-pressed on the aluminum profile by vulcanization process. Hinged & sliding profile design enables to meet the displacements in 3 directions. EPDM cords placed between cover and middle plates tighten the plates and eliminate metal stroking noise during the transmission of vehicles. Reflective tape (optional) fixed on the profile lead the drivers for a safe transmission in dark areas. Profile can easily be installed by means of steel anchors.

- Application Areas** : Indoor & Outdoor / Floor  
**Ideal for** : Car Parks, All Places with Vehicular Traffic & Heavy Rolling Loads  
**Material** : Mill Finish Aluminum (Anodizing optional), Vulcanized Natural Rubber, EPDM Cord, Reflective Tape (optional)  
**Aluminum Alloy** : EN AW 6063  
**Optional Supplies** : Fire Barrier, Waterproof EPDM membrane

**Vulcanized Natural Rubber Physical Properties**

Hardness shore A	74
Tensile strength	167 kg / cm <sup>2</sup>
Elongation at break	385 %
Tearing strength	74 kg / cm <sup>2</sup>
Compression set 22 hrs@ 60°C	23 %



\* Visuals are representative and the profile configuration may differ depending on the characteristics requested.

**RUBBER COLORS** **BLACK**

LOCATION	MODEL	GAP (Fb) mm	HEIGHT (H) MM	OVERALL WIDTH (B) mm	VISIBLE WIDTH (S) mm	MOVEMENT (W) mm	LOAD CAPACITY	STANDARD LENGTH (mt)
Floor to Floor	AS U274-080	80	25 / 35	324	324	± 12	70 kN  600 kN	2
	AS U274-100	100	25 / 35	345	340	± 12	70 kN  600 kN	2
	AS U274-120	120	25 / 35	364	364	+22 / -12	35 kN  300 kN	2
	AS U274-150	150	25 / 35	390	390	± 22	25 kN  120 kN	2
	AS U274-200	200	25 / 35	442	442	± 25		2

Note: Please ask for different sizes

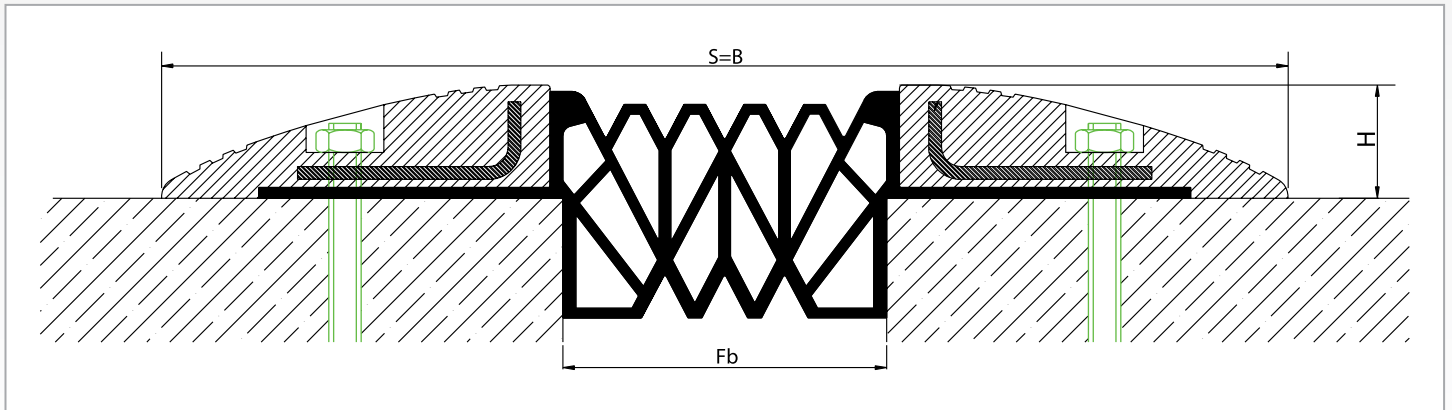
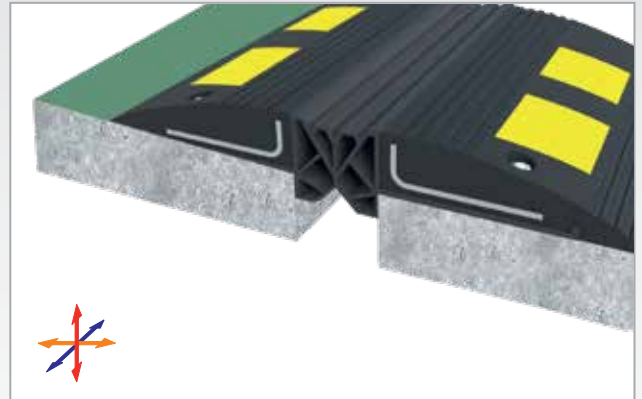
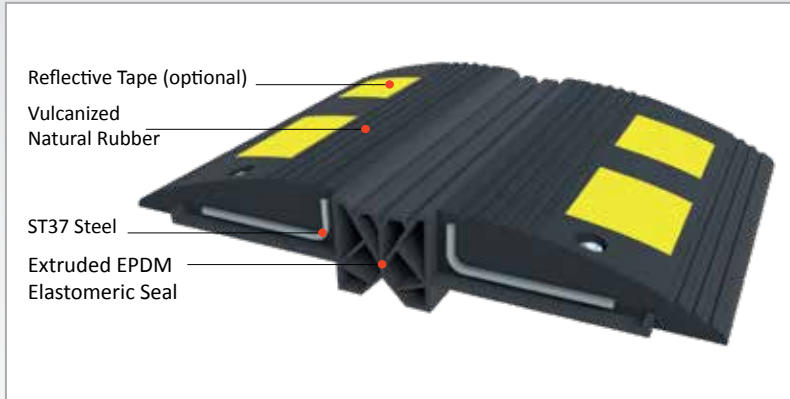




AS U275 functions as a speed bump as well as an watertight expansion expansion joint profile. It's a two-piece profile specially designed for places with heavy vehicular traffic and water leakage risk. Head piece of AS U275 is composed of steel insert molded in natural rubber with vulcanization process and winged type compression seal embed into housing under it.

- Application Areas** : Indoor &Outdoor / Floor  
**Ideal for** : Car Parks, All Places with Vehicular Traffic & Heavy Rolling Loads  
**Material** : ST37 Steel, Vulcanized Natural Rubber, EPDM Rubber, Reflective Tape (optional)  
**Optional Supplies** : Fire Barrier

**10**  
km/h



\* Visuals are representative and the profile configuration may differ depending on the characteristics requested.

RUBBER COLORS **BLACK**

LOCATION	MODEL	GAP (Fb) mm	HEIGHT (H) MM	OVERALL WIDTH (B) mm	VISIBLE WIDTH (S) mm	MOVEMENT (W) mm	LOAD CAPACITY	STANDARD LENGTH (mt)
Floor to Floor	AS A275-050	50	35	290	290	±40	90 kN	2
	AS A275-100	100	35	348	348	±25	120 kN	2

Note: Please ask for different sizes

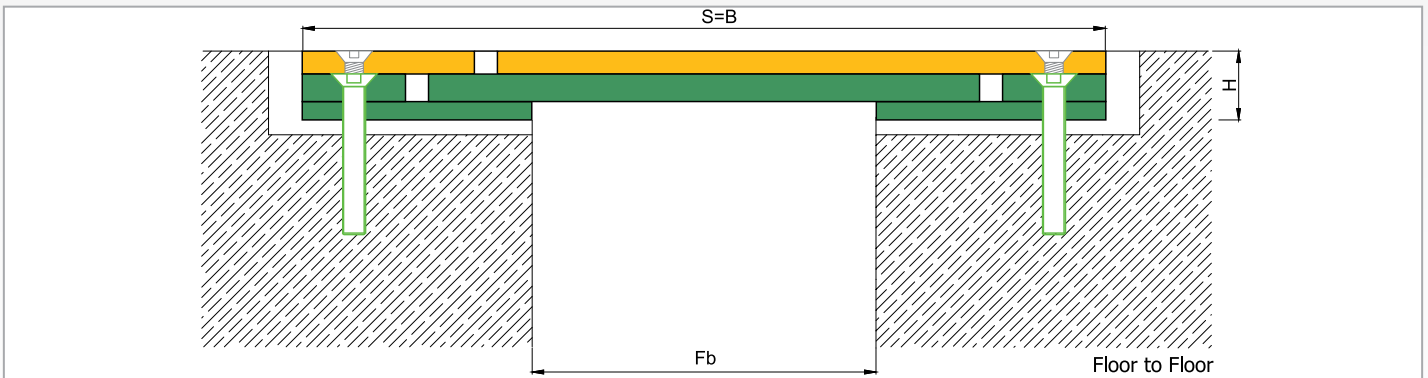
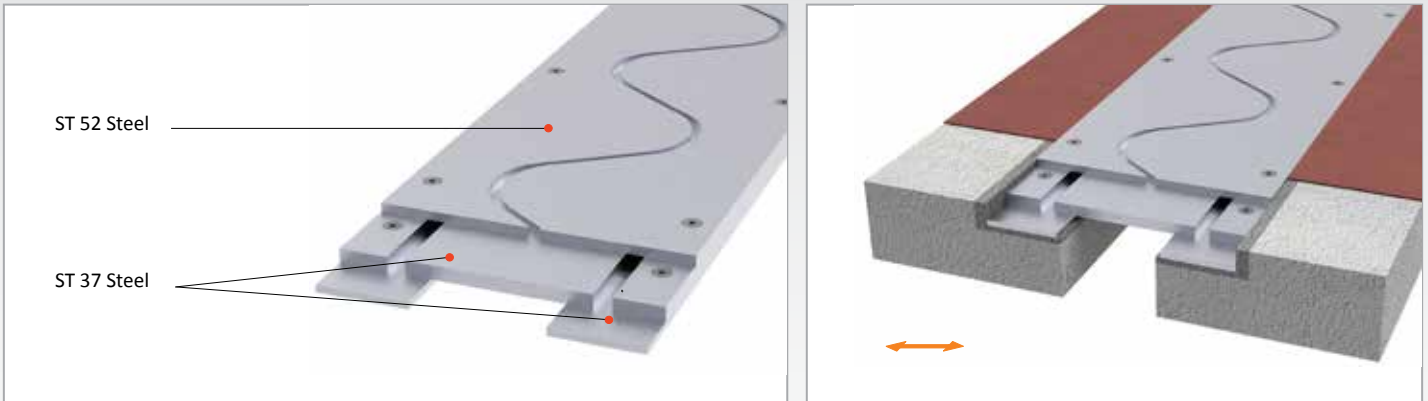
**INDUSTRIAL & PARKING AREAS**



AS A270 overall steel profile is designed for all types of industrial buildings where high load bearing capacity is inquired. Especially recommended for places where reach trucks and polyamide wheeled forklifts run. Profile is composed of 3 layers and on order can completely or partially be manufactured from stainless steel. Low height and easy installation makes it favorable for the renovation projects.

- Application Areas** : Indoor & Outdoor / Floor  
**Ideal for** : Factories, Warehouses, All Industrial Facilities  
**Material** : Primer Coated ST 37 and ST 52 steel ( Galvanized Steel - Optional), Stainless Steel ( Optional)  
**Optional Supplies** : Fire Barrier, Waterproof EPDM membrane

**10**  
 km/h



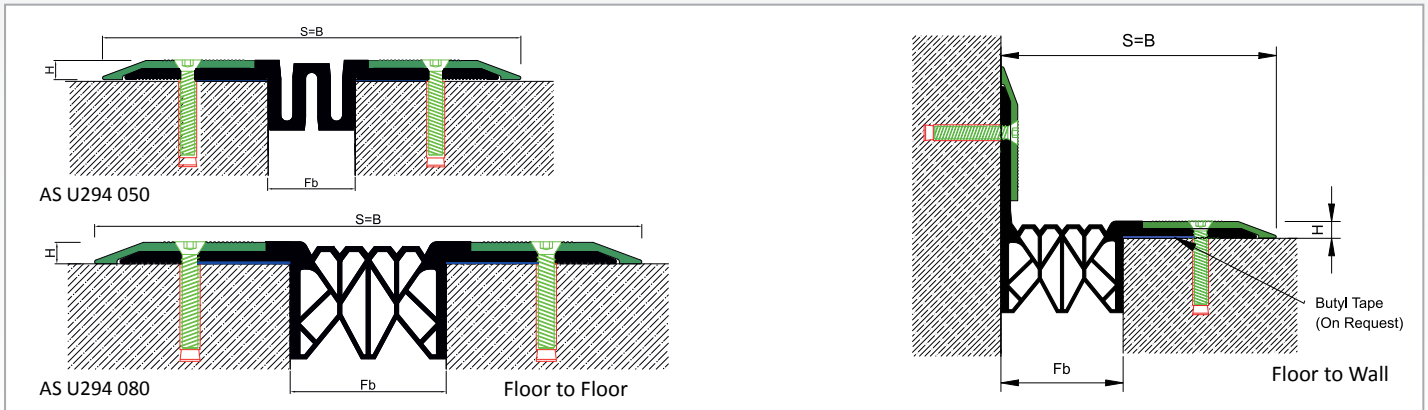
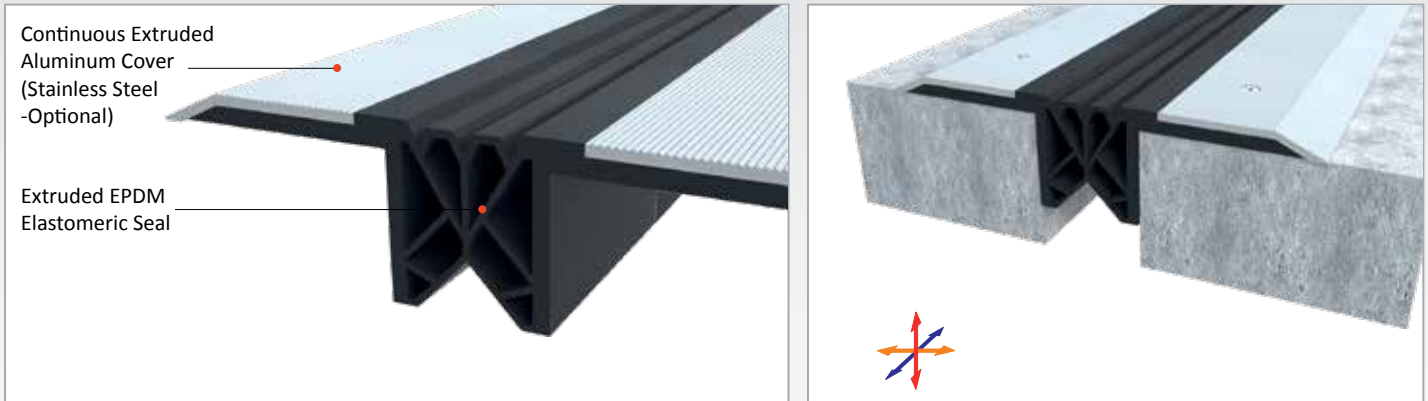
\* Visuals are representative and the profile configuration may differ depending on the characteristics requested.

LOCATION	MODEL	GAP (Fb) mm	HEIGHT (H) MM	OVERALL WIDTH (B) mm	VISIBLE WIDTH (S) mm	MOVEMENT (W) mm	LOAD CAPACITY	STANDARD LENGTH (mt)
Floor to Floor	AS A270-050	50	20	210	210	± 10	600 kN  70 kN	2
	AS A270-050	50	22	210	210	± 10	600 kN  130 kN	2
	AS A270-100	100	22	260	260	± 10	600 kN  70 kN	2
	AS A270-100	100	24	260	260	± 10	600 kN  90 kN	2
	AS A270-100	100	26	260	260	± 10	600 kN  130 kN	2
	AS A270-100	100	28	260	260	± 10	600 kN  130 kN	2
	AS A270-150	150	24	310	310	± 10	600 kN  70 kN	2
	AS A270-150	150	26	310	310	± 10	600 kN  130 kN	2
	AS A270-200	200	26	360	360	± 10	300 kN  70 kN	2
	AS A270-200	200	28	360	360	± 10	600 kN  70 kN	2
	AS A270-200	200	30	360	360	± 10	600 kN  130 kN	2

Note: Please ask for different sizes

AS U294 surface mounted watertight profile is specially designed for places with vehicular traffic and water leakage risk. Load bearing capacity can be adjusted from cars to heavy trucks by changing the metal cover. Specially designed elastomeric gasket provides high movement ability and excellent resistance to UV radiation, ozone, de-icing salts and chemicals. Chamfered design ensures a smooth transition.

- Application Areas** : Indoor & Outdoor / Floor
- Ideal for** : Car Parks, Factories, Warehouses, etc.
- Material** : Mill Finish Aluminum ( Anodizing optional), Stainless Steel (Optional), EPDM Rubber
- Aluminum Alloy** : EN AW 6063
- Optional Supplies** : Fire Barrier



\* Visuals are representative and the profile configuration may differ depending on the characteristics requested.

RUBBER COLORS **BLACK**

LOCATION	MODEL	GAP (Fb) mm	HEIGHT (H) MM	OVERALL WIDTH (B) mm	VISIBLE WIDTH (S) mm	MOVEMENT (W) mm	LOAD CAPACITY	STANDARD LENGTH (mt)
Floor to Floor	AS U294-025	25	11	210	210	± 8	35 kN  300 kN	3
	AS U294-050	50	11	240	240	± 20	35 kN  300 kN	3
	AS U294-080	80	11	280	280	± 20	35 kN  120 kN	3
	AS U294-100	100	11	300	300	± 25		3

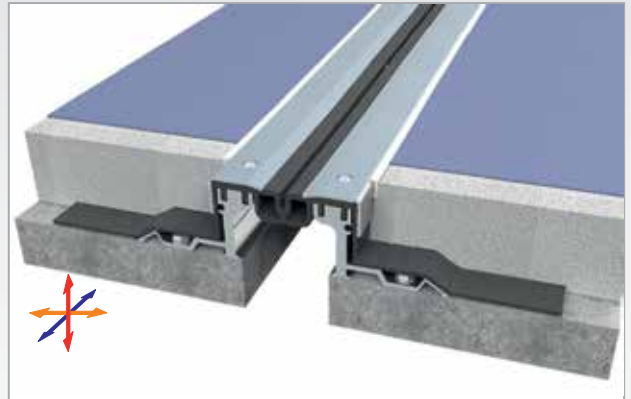
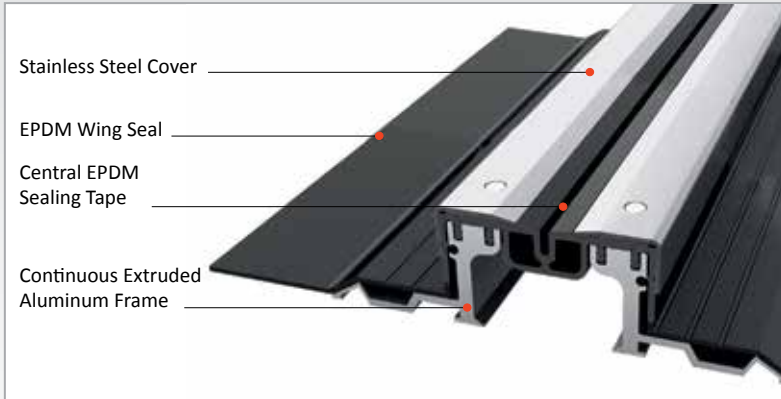
Note: Please ask for different sizes  
 Minimum order quantity will be applied if the inquired quantity is not available in stock

**WATERTIGHT FLOOR**

AS A290 heavy duty watertight profile is ideal for floor applications with water leakage risk. Profile is composed of extruded aluminum base frame, interchangeable central sealing gasket, wing seals and stainless steel top cover. Two-layer continuous flexible central gasket eliminates water leakage risk while stainless steel covers protect the gasket and gives a decorative aspect after installation. To ensure watertightness, wing seals can easily be installed with Asteknik's special double-sided butyl tape which is more easy, durable, cost effective and risk free method compared to hot bitumen application.

- Application Areas** : Indoor & Outdoor / Floor  
**Ideal for** : Multi-storey or Underground Car Parks, Factories, Warehouses, Hotels, Airports, Shopping Malls, Hospitals etc.  
**Material** : Mill Finish Aluminum (Anodizing optional), Stainless Steel, EPDM (Only in Black Color), TPE gasket  
**Aluminum Alloy** : EN AW 6063  
**Optional Supplies** : Fire Barrier, Double Sided Butyl Tape

**10**  
km/h



\* Visuals are representative and the profile configuration may differ depending on the characteristics requested.

GASKET COLORS    **BLACK**    GREY    BEIGE    Custom Colors available.

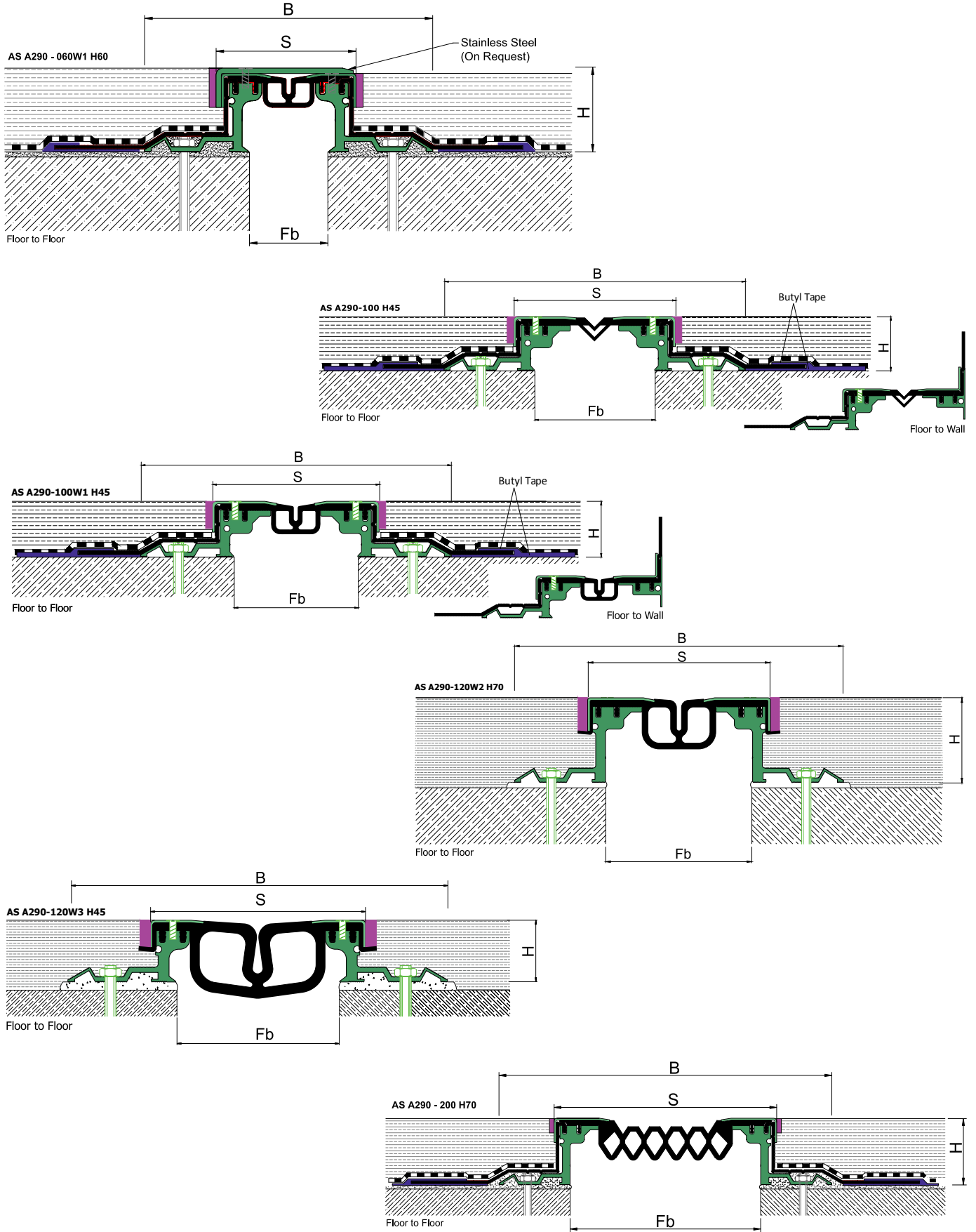
LOCATION	MODEL	GAP (Fb) mm	HEIGHT (H) MM	OVERALL WIDTH (B) mm	VISIBLE WIDTH (S) mm	MOVEMENT (W) mm	LOAD CAPACITY	STANDARD LENGTH (mt)
Floor to Floor	AS A290-050	50	20	196	108	± 10	25 kN  120 kN	3
	*AS A290-060W1	60	45 / 60	220	103	± 20	35 kN  300 kN	3
	AS A290-100	100	45 / 70	250	135	± 10	25 kN  120 kN	3
	*AS A290-100W1	100	45 / 70	250	134	± 20	25 kN  120 kN	3
	AS A290-120	120	45 / 70	270	154	± 10	15 kN  90 kN	3
	AS A290-120W2	120	45 / 70	270	150	± 30	15 kN  90 kN	3
	*AS A290-120W3	120	45 / 70	279	157	± 60	15 kN  60 kN	3
	AS A290-200	200	45 / 70	350	234	± 60	15 kN  60 kN	3

Note: Please ask for different sizes

\*EPDM gaskets are black color while TPE gaskets are black, grey, beige etc.



**WATERTIGHT FLOOR**



**WATERTIGHT FLOOR**



**Floor to Wall Intersection**

**T Intersection**



**Cross Intersection**

**L Intersection**



**WATERTIGHT FLOOR**

Note: Intersections can be applied with TPE short gaskets

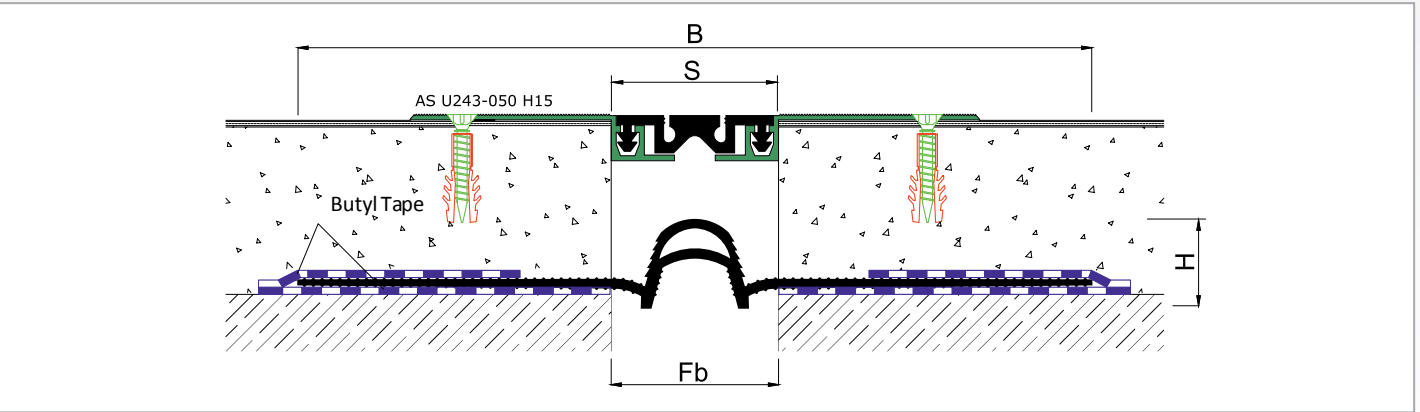
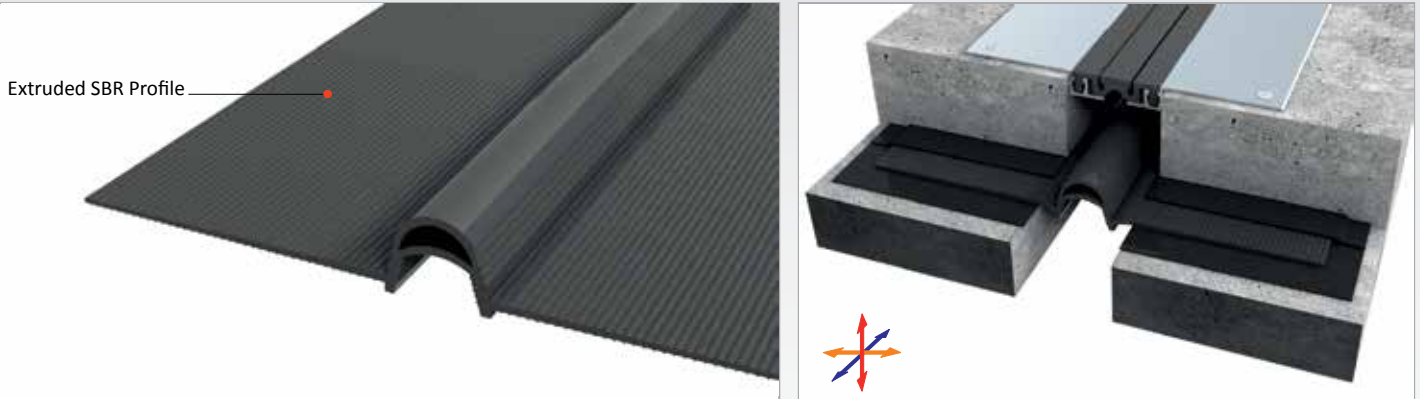






AS A291 is ideal for places with water leakage risk. At no-traffic areas it can be applied by itself but it must be covered with pebbles or similar to get protected from direct sunlight. For places with pedestrian or vehicle traffic, AS A291 must be applied underneath an expansion joint profile which must be resistant to traffic load passing over. It can easily be installed by means of butyl tape or epoxy.

**Application Areas** : Outdoor / Floor  
**Ideal for** : Terraces, Flat Roofs, Car Parks etc.  
**Material** : SBR Rubber



\* Visuals are representative and the profile configuration may differ depending on the characteristics requested.

RUBBER COLOR **BLACK**

LOCATION	MODEL	GAP (Fb) mm	HEIGHT (H) MM	OVERALL WIDTH (B) mm	VISIBLE WIDTH (S) mm	MOVEMENT (W) mm	LOAD CAPACITY	STANDARD LENGTH (mt)
Terrace	AS A291-025	25 - 50	30	270	-	+20 / -15	🧑	13
	AS A291-080	80 - 100	30	400	-	+20 / -40	🧑	13

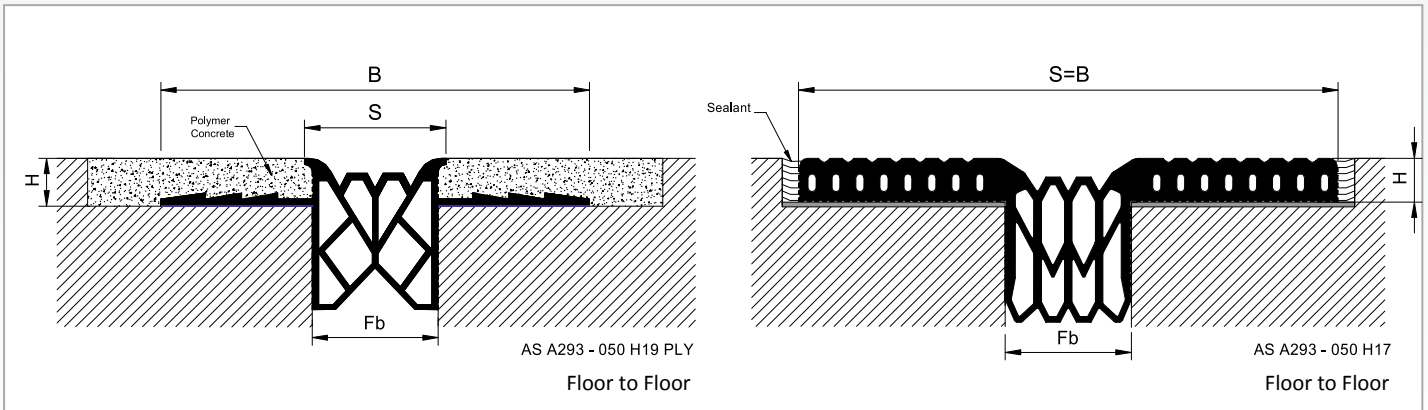
Note: Please ask for different sizes

**WATERTIGHT FLOOR**



AS A293 winged type, extruded EPDM compression seal is favorable for horizontal applications and designed for vehicle traffic. Flush mounted application provides a smooth transition and minimize wear and tear caused by vehicle traffic. Even if the upper surface of the seal is abraded due to closed cell design the seal retains its watertight characteristic.

**Application Areas** : Indoor & Outdoor / Floor  
**Ideal for** : Car Parks  
**Material** : EPDM Rubber  
**Optional Supplies** : Fire Barrier



\* Visuals are representative and the profile configuration may differ depending on the characteristics requested.

RUBBER COLOR **BLACK**

LOCATION	MODEL	GAP (Fb) mm	HEIGHT (H) mm	LENGTH (L) m	OVERALL WIDTH (B) mm	VISIBLE WIDTH (S) mm	MOVEMENT (W) mm	LOAD CAPACITY	MINIMUM ORDER QUANTITY m
Floor to Floor	AS A293-025	25	17	20	189	189	± 15	35 kN  120 kN	300
	AS A293-050 PLY	50	19	20	170	56	± 25		260
	AS A293-050	50	17	20	214	214	+25 / -20	35 kN  120 kN	100
	AS A293-075	75	17	20	239	239	+35 / -30		300
	AS A293-100	100	17	20	264	264	+50 / -40		100

Note: Please ask for different sizes  
 Minimum order quantity will be applied if the inquired quantity is not available in stock

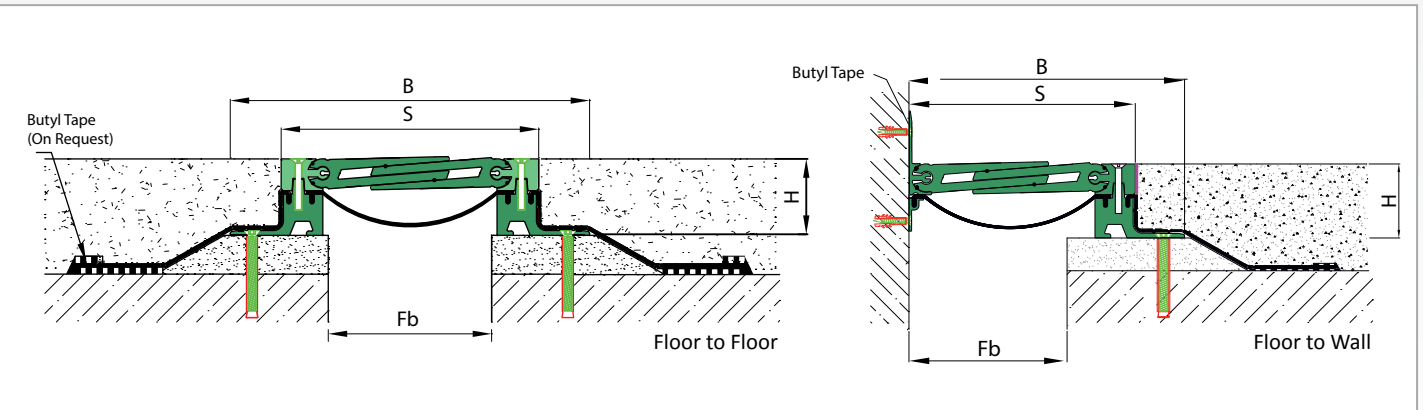
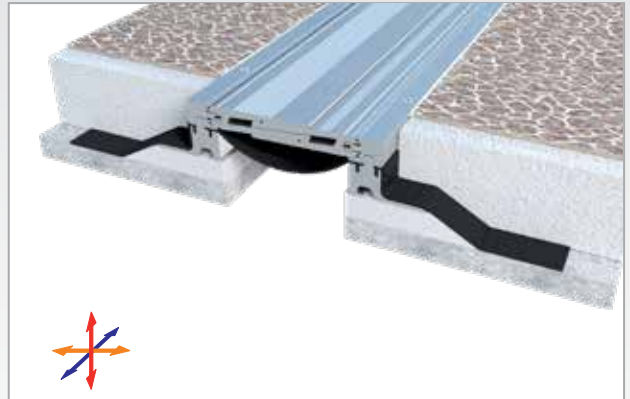
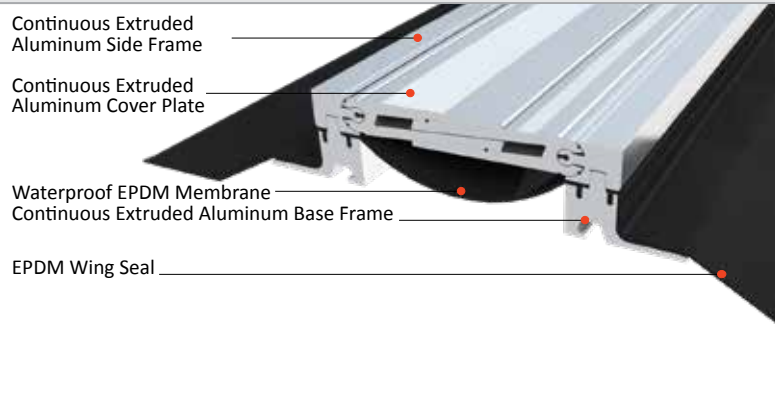


WATERTIGHT FLOOR

AS A295 flush mounted watertight profile is applicable to all types of floors and load bearing capacity is designed for heavy vehicles. Pure metal structure characterizes AS A295 as a hardwearing and maintenance free profile and makes it ideal also for the places with heavy pedestrian traffic. Round-headed articulated design and freely moving center pieces enable the profile to meet displacements in 3 directions. Custom manufactured wing seals and EPDM membrane are snapped into the slots on the base frames and ensure watertightness.

- Application Areas** : Indoor & Outdoor / Floor
- Ideal for** : Factories, Warehouses, Car Parks, Airports, Shopping Malls, Commercial & Public Buildings etc.
- Material** : Mill Finish Aluminum ( Anodizing optional), EPDM
- Aluminum Alloy** : EN AW 6063
- Optional Supplies** : Fire Barrier, Double Sided Butyl Tape

**10**  
km/h



\* Visuals are representative and the profile configuration may differ depending on the characteristics requested.

RUBBER COLOR **BLACK**

LOCATION	MODEL	GAP (Fb) mm	HEIGHT (H) MM	OVERALL WIDTH (B) mm	VISIBLE WIDTH (S) mm	MOVEMENT (W) mm	LOAD CAPACITY	STANDARD LENGTH (mt)
Floor to Floor	AS A295-150	150	70	330	235	± 30	70 kN <del>150</del> 300 kN <del>600</del>	3

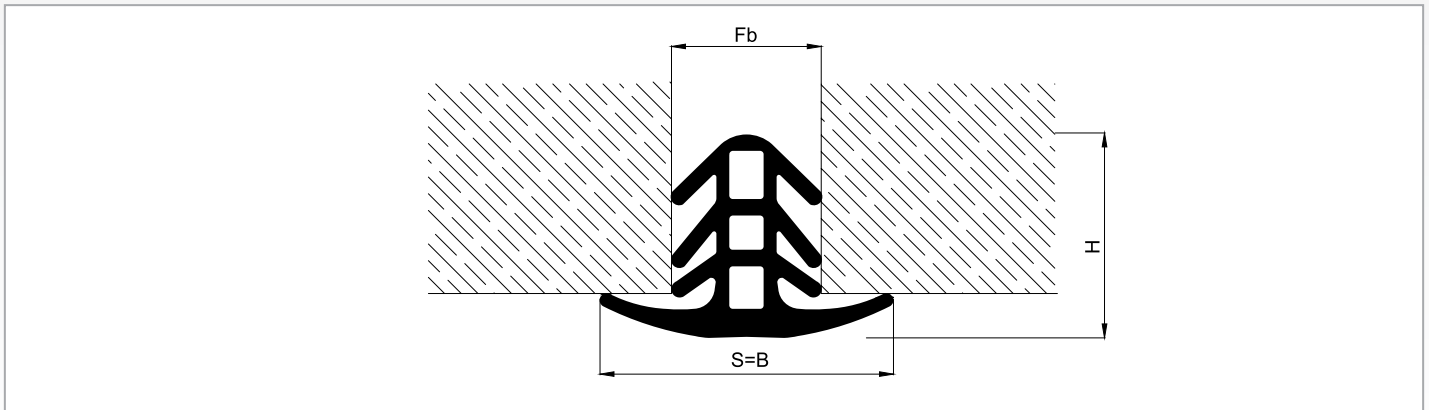
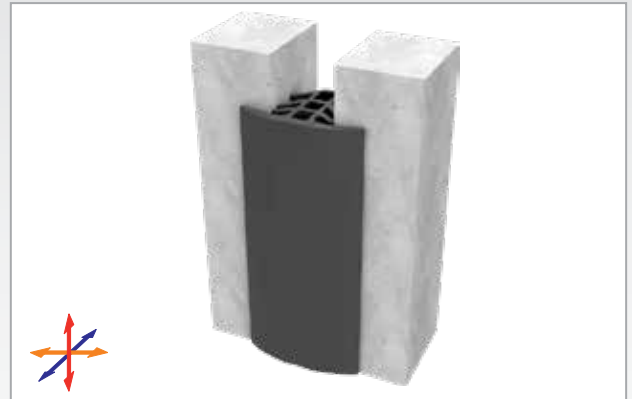
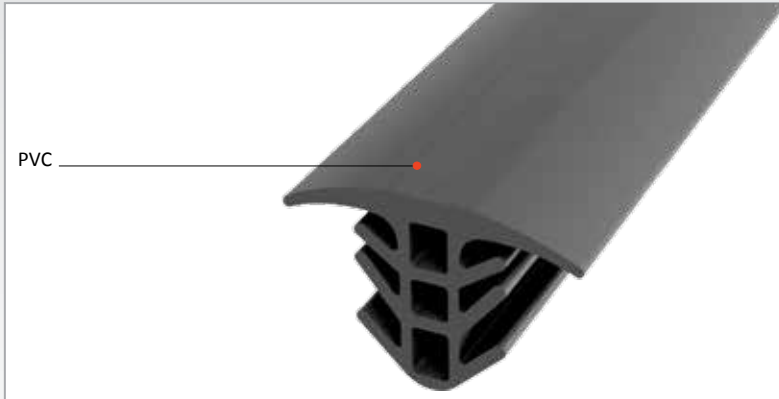
Note: Please ask for different sizes

**WATERTIGHT FLOOR**



AS U141 is a one-piece, extruded seal and designed for wall & ceiling applications. Flexible seals ensure fast and cost-effective installation; enable to meet displacement in 3 directions. Seals have a cap-shaped top section that provides a full covering of the joint, masking any possible irregularities in the joint.

- Application Areas** : Indoor & Outdoor / Wall & Ceiling
- Ideal for** : Shopping Malls, Residences, Hospitals, Hotels, Commercial & Public Buildings etc.
- Material** : PVC
- Optional Supplies** : Fire Barrier



\* Visuals are representative and the profile configuration may differ depending on the characteristics requested.

RUBBER COLORS    **BLACK**    GREY    BEIGE    Custom Colors available.

LOCATION	MODEL	GAP (Fb) mm	HEIGHT (H) MM	OVERALL WIDTH (B) mm	VISIBLE WIDTH (S) mm	MOVEMENT (W) mm	LOAD CAPACITY	MINIMUM ORDER QUANTITY (mt)
Wall to Wall	AS U141-010	10	30	28	28	± 3	N/A	450
	AS U141-030	30	44	62	62	± 7	N/A	450

Note: Please ask for different sizes  
 Minimum order quantity will be applied if the inquired quantity is not available in stock

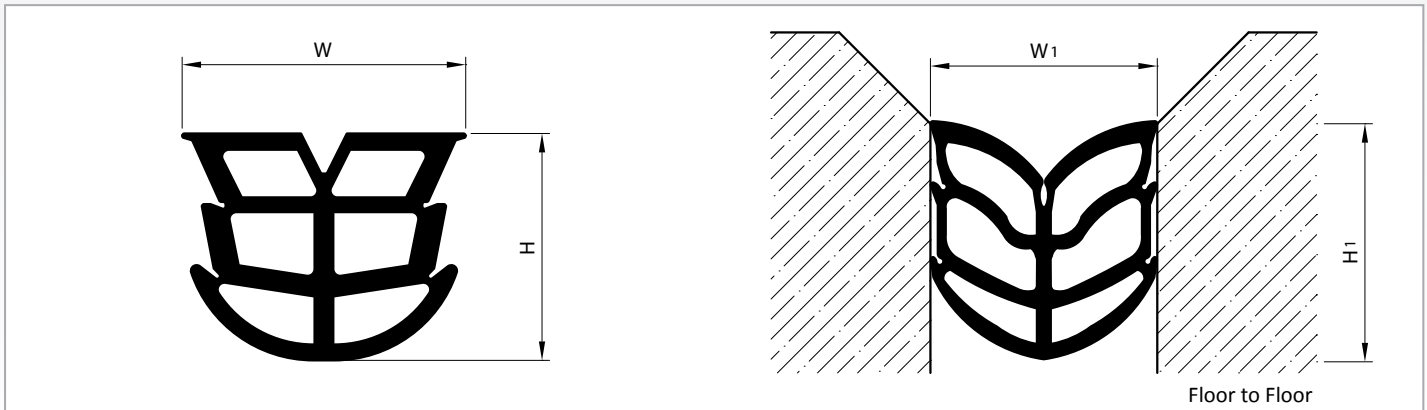
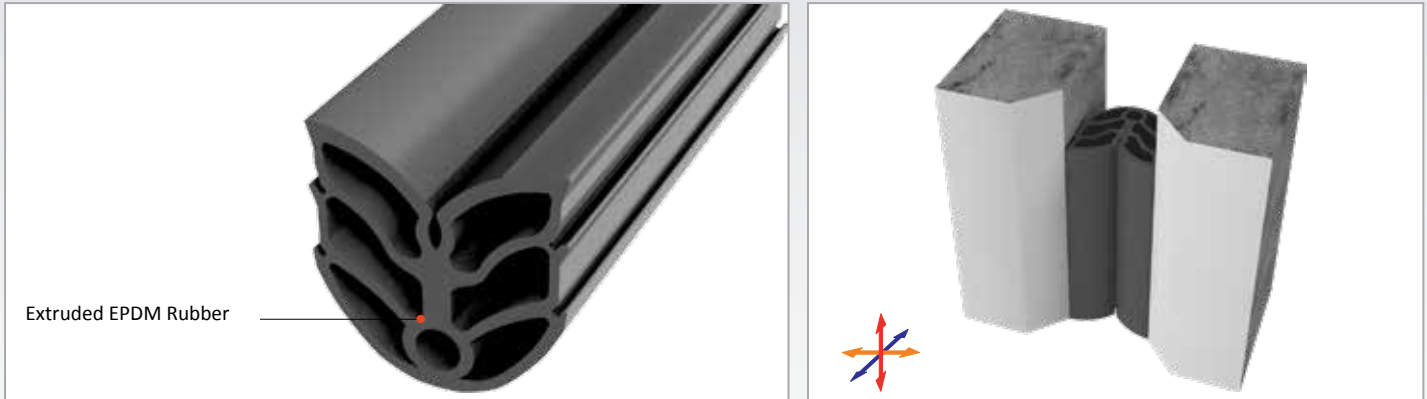
COMPRESSION SEALS





AS U142 is a one-piece, extruded EPDM elastomeric seal and designed for wall & ceiling applications. It can be used between structural gaps to absorb multi-directional movements. Sound insulation, chemical resistance quick installation and operating temperature from -35°C to +90°C are the main advantages of AS U142. It also functions as a watertight profile if it's adhered to the application area with silicone or similar adhesive.

- Application Areas** : Indoor & Outdoor / Wall & Ceiling
- Ideal for** : Shopping Malls, Residences, Hospitals, Hotels, Commercial & Public Buildings etc.
- Material** : EPDM Rubber
- Optional Supplies** : Fire Barrier



\* Visuals are representative and the profile configuration may differ depending on the characteristics requested.

RUBBER COLOR **BLACK**

LOCATION	MODEL	PROFILE DIMENSIONS			MINIMUM DIMENSIONS FOR INSTALLATION(mm)		OPERATING RANGE AFTER INSTALLATION(mm)		TOTAL MOVEMENT ABILITY (mm)	MINIMUM ORDER QUANTITY (mt)
		WIDTH(W) (mm)	HEIGHT(H) (mm)	Length ( L) (m)	WIDTH (W <sub>i</sub> )	HEIGHT (H <sub>i</sub> )	MIN	MAX		
Wall To Wall	AS U142 16-16	16	16	50	9	25	7	11	4	2000
	AS U142 18-16	18	16	50	10	25	8	14	6	2000
	AS U142 25-20	25	20	50	15	30	12	19	7	1000
	AS U142 34-30	34	30	25	20	40	16	25	9	1000
	AS U142 42-30	42	30	25	25	45	21	31	10	1000
	AS U142 63-45	63	45	25	32	70	27	45	18	500
	AS U142 83-60	83	60	25	50	90	40	60	20	250
	AS U142 183-54	183	54	20	110	90	75	165	92	260

Note: Please ask for different sizes  
 Minimum order quantity will be applied if the inquired quantity is not available in stock

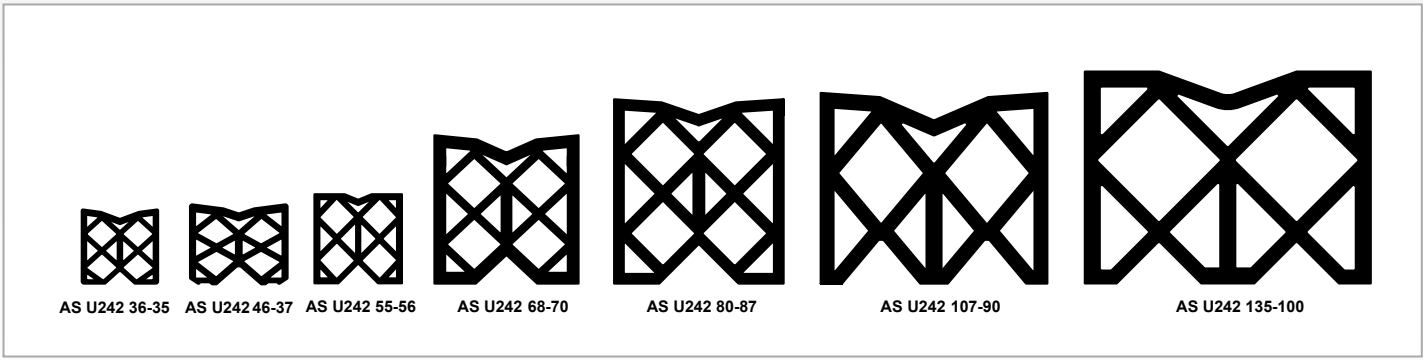
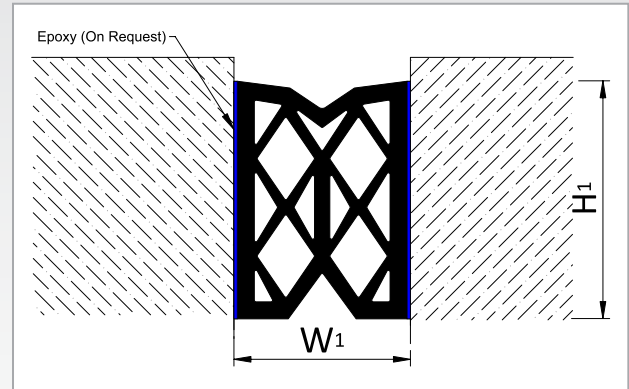


AS U242 extruded EPDM elastomeric seal is favorable for horizontal applications and can resist from vehicle to heavy vehicle traffic depending on the installation method preferred. Seals absorb expansion movements up to 65 mm and meet longitudinal, lateral shear and vertical displacements. Thanks to the elastomeric high quality rubber & special design which lets AS U242 to be easily installed on non-linear gaps, bends & gradients and gains the profile a long life-time and resistance to oils, fuels, road salt, U.V. radiation, ozone and other chemicals. Due to closed cell design, proper installed profiles also serve as a watertight joint system. Can easily be bonded to concrete deck by means of epoxy or lubricant adhesives.

- Application Areas** : Indoor & Outdoor / Floor
- Ideal for** : Parking Areas, Bridges, Industrial Floors, Under Speed Bumpers etc.
- Material** : EPDM Rubber
- Optional Supplies** : Fire Barrier

AS U242 compression seals satisfy ASTM and ISO standards and each production lot is tested in factory's laboratory after the production is completed.

**20**  
km/h



\* Visuals are representative and the profile configuration may differ depending on the characteristics requested.

RUBBER COLOR **BLACK**

LOCATION	MODEL	PROFILE DIMENSIONS			MINIMUM DIMENSIONS FOR INSTALLATION(mm)		OPERATING RANGE AFTER INSTALLATION(mm)		TOTAL MOVEMENT ABILITY (mm)	LOAD CAPACITY	MINIMUM ORDER QUANTITY (mt)
		WIDTH (W) (mm)	HEIGHT (H) (mm)	LENGTH (L) (m)	WIDTH (W <sub>1</sub> )	HEIGHT (H <sub>1</sub> )	MIN	MAX			
Floor to Floor	AS U242 36-35	36	35	30	21	45	18	30	12	*	1020
	AS U242 46-37	46	37	30	25	50	20	40	20	*	510
	AS U242 55-56	55	56	20	36	65	27	49	22	*	500
	AS U242 68-70	68	70	20	45	85	30	60	30	*	260
	AS U242 80-87	80	87	20	55	100	35	70	35	*	260
	AS U242 107-90	107	90	12	70	110	50	95	45	*	108
	AS U242 135-100	135	100	12	90	130	55	120	65	*	108

\* Load capacity varies depending on the installation method preferred

Note: Please ask for different sizes

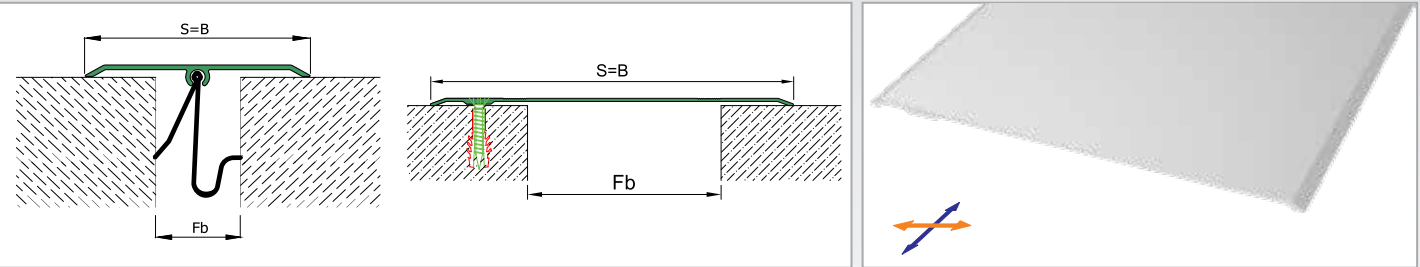
Minimum order quantity will be applied if the inquired quantity is not available in stock





They provide cost efficient and simple solutions to cover interior or exterior wall and ceiling joints. Wall & Ceiling covers can be powder coated at any RAL color inquired and are designed to align with floor models. Monoblock covers can easily be installed by means of screws and butyl tapes or by clamps for different models. They are manufactured with smooth or striated surface finish. Pure metal structure doesn't require a special maintenance.

- Application Areas** : Indoor & Outdoor / Wall & Ceiling
- Ideal for** : Shopping Malls, Airports, Residences, Hospitals, Hotels, Commercial & Public Buildings etc.
- Material** : Aluminum, Stainless Steel ( Optional)
- Finish** : Anodized Aluminum / Powder Coated Aluminum (Optional) Matt, Shiny or Brushed Stainless Steel (Optional)
- Aluminum Alloy** : EN AW 6063
- Optional Supplies** : Fire Barrier, Waterproof EPDM membrane



	Fb (mm)	S=B (mm)	
AD 000060	15-20	60	
AD 000080 AD 000081	20-30	80	
AD 000100	30-40	100	
AD 000120	40-50	120	
AD 000121	40-50	120	
AD 000150	50-80	150	
AD 000151	50-80	150	
AD 000153	50-80	150	
AD 000176	80-100	176	
AD 000202	100-120	200	
AD 000203	100-120	200	
AD 000253	130-150	250	
AD 000300	150-200	300	
AD 000300 + AD 000070BP	150-200	340	
AD 000300 + AD 000090BP	150-200	360	

**Stainless Steel Spring Clamps For Cover Types**

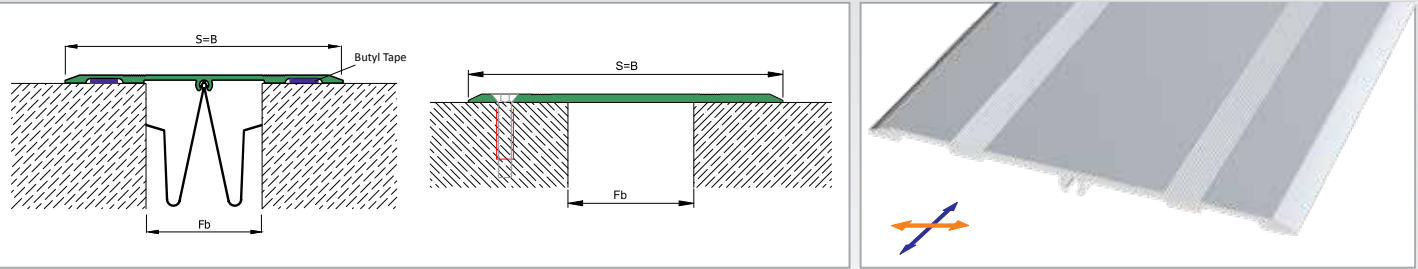
- AY 5045 C00**  
Fb=20-30 mm
- AY 5545 C00**  
Fb=35-50 mm
- AY 1065 C00**  
Fb=55-90 mm
- AY 3040 C00**  
Fb=20-30 mm
- AY 6040 C00**  
Fb=35-45 mm

Note: Please ask for different sizes



They provide cost efficient and simple solutions to cover interior or exterior floor joints. Monoblock covers can easily be installed by means of clamps and/or butyl tapes for different models. Different load capacities from pedestrian to vehicle are available. Floor covers are designed to align with wall models and manufactured with smooth or striated surface finish. Pure metal structure doesn't require a special maintenance.

- Application Areas** : Indoor & Outdoor / Floor
- Ideal for** : Shopping Malls, Airports, Residences, Hospitals, Hotels, Commercial & Public Buildings etc.
- Material** : Aluminum , Stainless Steel ( Optional)
- Finish** : Anodized Aluminum Matt, Shiny or Brushed Stainless Steel (Optional)
- Aluminum Alloy** : EN AW 6063
- Optional Supplies** : Fire Barrier, Waterproof EPDM membrane



	Fb (mm)	S=B (mm)	Load Capacity	
AZ 000060	15-20	60	45 kN  300 kN	
AZ 000070	20-25	70		
AZ 000080 AZ 000081	20-30	80	25 kN  75 kN	
AZ 000083	20-30	80	25 kN  120 kN	
AZ 000090	20-30	90		
AZ 000100	30-35	100		
AZ 000103	30-40	100	45 kN  300 kN	
AZ 000104	30-40	100		
AZ 000120	40-50	120		
AZ 000121	40-50	120	70 kN  600 kN	
AZ 000150	50-60	150		
AZ 000151	50-60	150	45 kN  120 kN	
AZ 000154	50-60	150	45 kN  120 kN	
AZ 000155	50-60	150	70 kN  600 kN	
AZ 000175	55-75	175	25 kN  75 kN	
AZ 000200	80-100	200		
AZ 000201	80-100	200		
AZ 000202	80-100	200	25 kN  75 kN	
AZ 000203	80-100	200		
AZ 000204	80-100	200		
AZ 000250	130-150	250		
AZ 000256	130-150	250		
AZ 000300	180-200	300		

Note: Please ask for different sizes

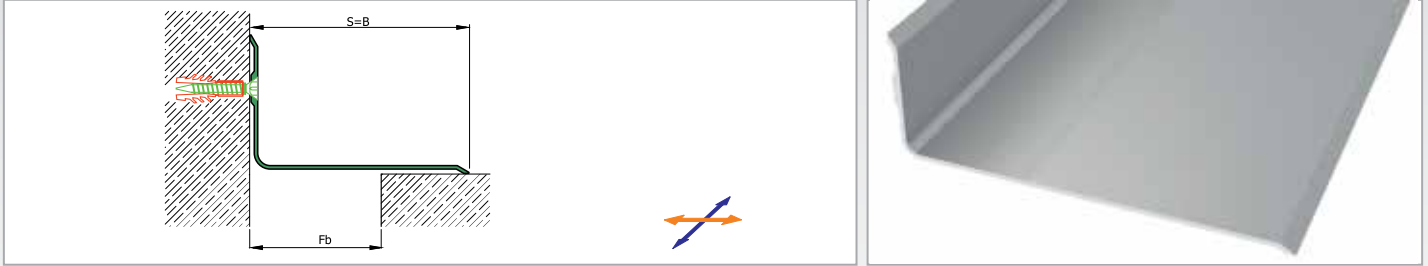


Tested



They provide cost efficient and simple solutions to cover floor to wall and wall to ceiling joints. Corner covers can be powder coated at any RAL color inquired and are designed to align with Floor & Wall models. Monoblock covers can easily be installed by means of screws and butyl tapes or clamps for different models. They are manufactured with smooth or striated surface finish. Pure metal structure doesn't require a special maintenance.

- Application Areas** : Indoor & Outdoor / Floor & Wall & Ceiling
- Ideal for** : Shopping Malls, Airports, Residences, Hospitals, Hotels, Commercial & Public Buildings etc.
- Material** : Aluminum, Stainless Steel ( Optional)
- Finish** : Anodized Aluminum / Powder Coated Aluminum (Optional) Matt, Shiny or Brushed Stainless Steel (Optional)
- Aluminum Alloy** : EN AW 6063
- Optional Supplies** : Fire Barrier, Waterproof EPDM membrane



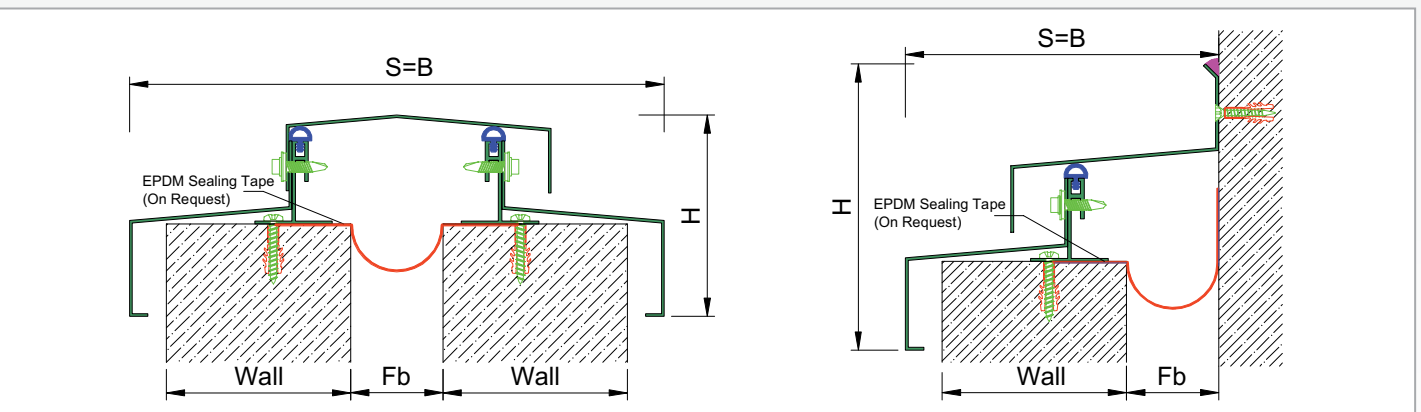
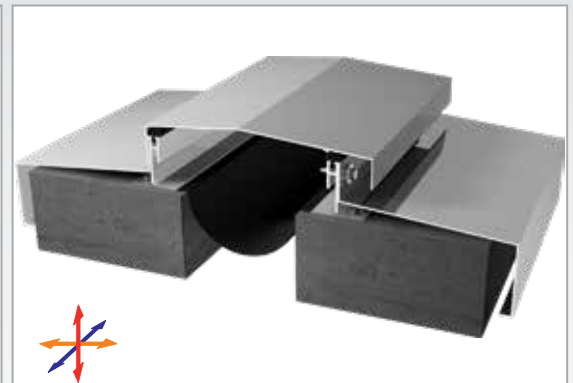
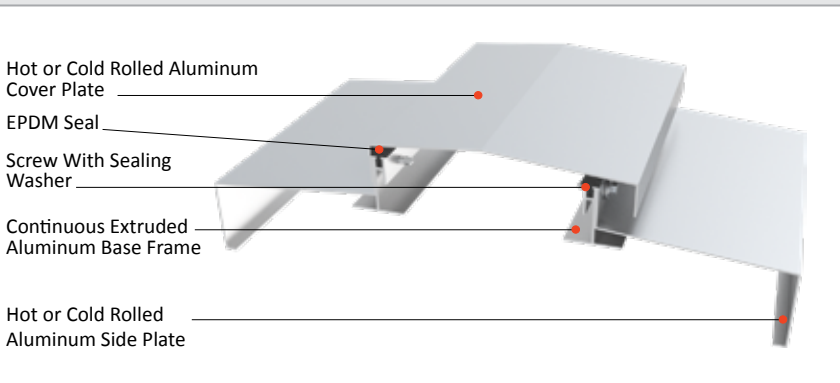
	Fb (mm)	S= B (mm)	H (mm)	
AK 040040 AK 070070	15-20 30-50	40 70	40 70	
AK 040070	30-50	70	40	
AK 050080	30-50	80	50	
AK 050081	30-50	80	50	
AK 050101	50-80	100	50	
AK 050103	50-80	100	50	
AK 060121	70-100	120	60	
AK 050150 AK 050153	100-120	150	50	
AK 050203	130-150	200	50	

Note: Please ask for different sizes



Roof Expansion Joint Covers can simply be defined as the multipartite systems placed on the parapet walls to eliminate the penetration of water, wind and other factors through the expansion gaps at the roofs. They are designed for flat roofs which can be exposed to thermal, structural and seismic movements. To specify the right cover, the parapet wall thickness and gap must be defined correctly and other factors such as seismic ability, wind load, snow load, environmental conditions must be taken into consideration. Covers give a decorative aspect to the roofs with their anodizing finish and can also be powder coated to any RAL color with an additional cost. Cover & side plates of anodized covers are manufactured from hot rolled aluminum while the powder coated ones are manufactured from cold rolled aluminum.

- Application Areas** : Outdoor / Roof
- Ideal for** : All buildings with flat roof
- Material** : Aluminum (Extruded & Hot or Cold Rolled)
- Finish** : Anodized or Powder Coated
- Optional Supplies** : Waterproof EPDM membrane



\* Visuals are representative and the profile configuration may differ depending on the characteristics requested.

LOCATION	MODEL	GAP (Fb) mm	HEIGHT (H) MM	OVERALL WIDTH (B) mm	VISIBLE WIDTH (S) mm	WALL THICKNESS mm	MOVEMENT (W) mm	STANDARD LENGTH (mt)
Parapet to Parapet	AS UHP 450109	50	109	450	450	150-180	+16/-50	3
	AS UHP 510109	50	109	510	510	180-210	+16/-50	3
	AS UHP 500109	100	109	500	500	150-180	+16/-100	3
	AS UHP 560109	100	109	560	560	180-210	+16/-100	3
	AS UHP 550109	150	109	550	550	150-180	+16/-150	3
	AS UHP 610109	150	109	610	610	180-210	+16/-150	3
	AS UHP 600109	200	109	600	600	150-180	+16/-200	3
	AS UHP 660109	200	109	660	660	180-210	+16/-200	3
Parapet to Wall	AS UHP 250155K	50	155	250	250	150-180	+20/-50	3
	AS UHP 280155K	50	155	280	280	180-210	+20/-50	3
	AS UHP 300155K	100	155	300	300	150-180	+20/-100	3
	AS UHP 330155K	100	155	330	330	180-210	+20/-100	3
	AS UHP 350155K	150	155	350	350	150-180	+20/-150	3
	AS UHP 380155K	150	155	380	380	180-210	+20/-150	3
	AS UHP 400155K	200	155	400	400	150-180	+20/-200	3
	AS UHP 430155K	200	155	430	430	180-210	+20/-200	3

Note: Please ask for different sizes

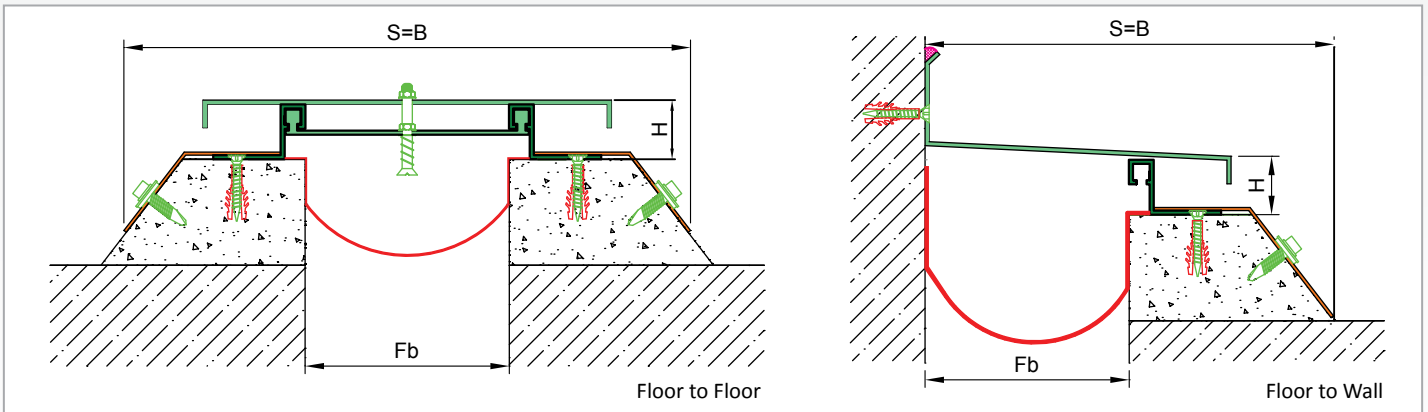
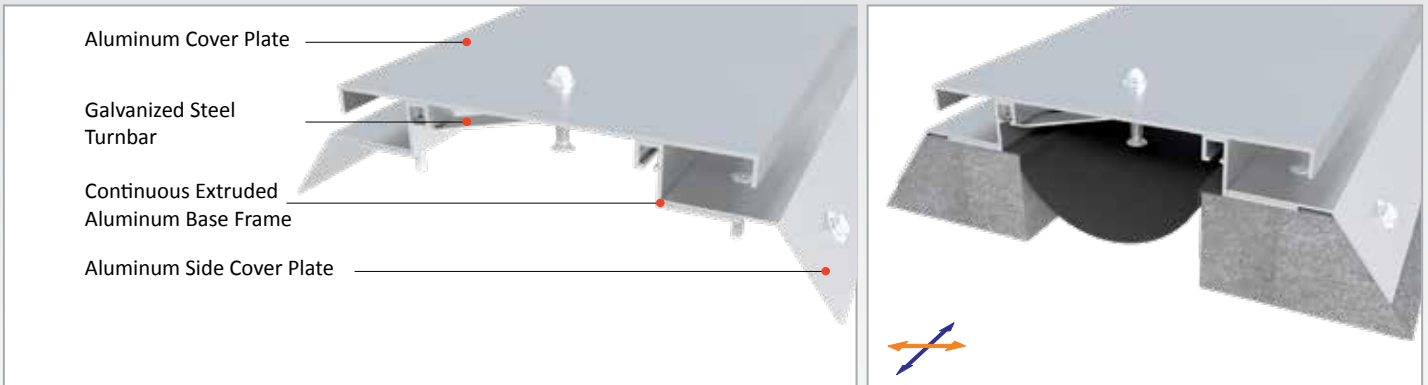






AS SHP roof covers are placed on the parapet walls to eliminate the penetration of water, wind and other factors through the expansion joint openings at the roofs. Seismic covers are designed for flat roofs and can compensate thermal, structural and seismic movements. During the seismic based activity, owing to specially designed mechanism AS SHP meets the displacements and ensures the cover plate to stay in its original position after activity is over. Anodized or powder coated finish gains the application areas an aesthetic view.

- Application Areas** : Indoor & Outdoor / Roof
- Ideal for** : All buildings with flat roof
- Material** : Aluminum ( Extruded and Hot or Cold Rolled )
- Aluminum Alloy** : Visible parts anodized or powder coated, Mill Finish Base Frame
- Optional Supplies** : Waterproof EPDM membrane



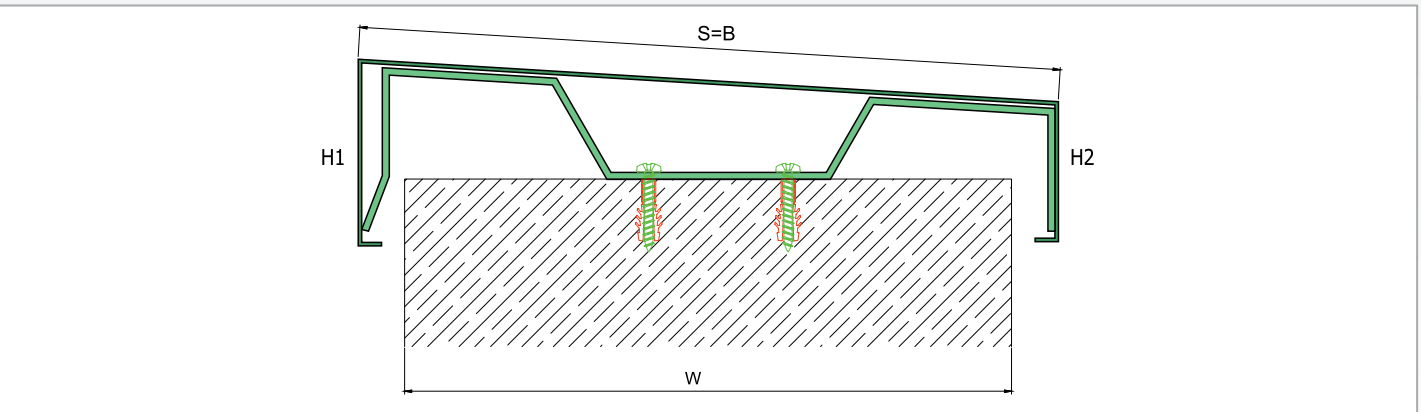
\* Visuals are representative and the profile configuration may differ depending on the characteristics requested.

LOCATION	MODEL	GAP (Fb) mm	HEIGHT (H) MM	OVERALL WIDTH (B) mm	VISIBLE WIDTH (S) mm	MOVEMENT (W) mm	STANDARD LENGTH (mt)
Roof to Roof	AS SHP 050	50	27	230	230	+25 / -40	3
	AS SHP 100	100	27	280	280	+45 / -70	3
	AS SHP 150	150	27	330	330	+55 / -100	3
	AS SHP 200	200	27	380	380	+85 / -135	3
	AS SHP 250	250	27	430	430	+75 / -170	3
Roof to Wall	AS SHP 050K	50	27	140	140	+35 / -50	3
	AS SHP 100K	100	27	190	190	+35 / -100	3
	AS SHP 150K	150	27	240	240	+35 / -150	3
	AS SHP 200K	200	27	290	290	+35 / -200	3
	AS SHP 250K	250	27	340	340	+60 / -250	3

Note: Please ask for different sizes

Parapet covers provide an aesthetics and economic finish for parapet walls of the buildings. They are manufactured on order as per the requirements of the project. Aluminum brackets are screwed on the wall with 50 cm intervals and cover plate is placed on them. Covers give a decorative aspect to the parapet walls with their anodizing finish and can also be powder coated to any RAL color. Anodized covers are manufactured from hot rolled aluminum while the powder coated ones are manufactured from cold rolled aluminum. Internal & external corner pieces can be manufactured only powder coated.

- Application Areas** : Outdoor / Wall  
**Ideal for** : All buildings with parapet walls  
**Material** : Aluminum (Hot or cold rolled)  
**Finish** : Anodized or powder coated



\* Visuals are representative and the profile configuration may differ depending on the characteristics requested.

LOCATION	MODEL	HEIGHT (H1) MM	HEIGHT (H2) MM	VISIBLE WIDTH (S) mm	WALL THICKNESS (W) mm	STANDARD LENGTH (mt)
Roof to Roof	AS UPP 190080	80	60	190	120-150	3
	AS UPP 220080	80	60	220	150-180	3
	AS UPP 250080	80	60	250	180-210	3
	AS UPP 281080	80	60	281	210-240	3
	AS UPP 311080	80	60	311	240-270	3
	AS UPP 341080	80	60	341	270-300	3

Note: Please ask for different sizes

**EPDM MEMBRANE APPLICATION**

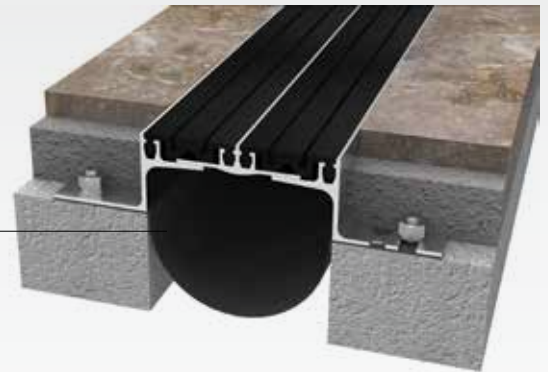
Asteknik KA EPDM Sealing tape is an EPDM based membrane used to cover and insulate the expansion joints at the construction.

**Application Areas**

- All horizontal and vertical applications in the constructions,
- The substructures and concrete walls under ground,
- Waste water treatment, drinking water and water reservoir facilities, pools
- At the tunnels and vents
- For waterproofing of cold joints of raft foundation and concrete shear walls
- The balconies and at parapets,
- Roof edgings,
- High movement expected joints,
- The sections where ground settlements are expected,
- Cracks.



KA YPS AS EPOKSI 2K. Asteknik's mortar is based on epoxy, two component, high strength epoxy resin, suitable for many areas



**Benefits**

- Easy application with two components epoxy adhesive.
- Suitable for use with normal or fast hardening adhesives.
- Provides a continuous insulation.
- Has high elasticity even at the cold weathers.
- Perfectly stick on many different materials.
- High tearing strength.
- High plant root resistance.
- High resistance to bacteria attacks and chemical degradation.
- Excellent movement capability in both
- High resistance to mechanical damage.
- Excellent movement capability in both transverse and longitudinal direction with excellent material recovery after elongation.
- Excellent weathering, aging and UV radiation resistance.
- Excellent moisture vapor barrier.



**Packing**

20 mt/roll

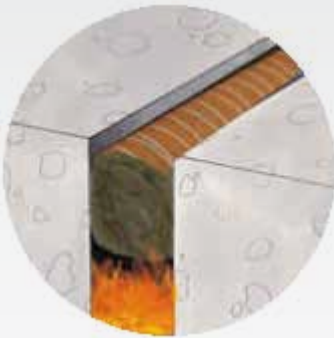
**Dimensions**

<b>Width (mm)</b>	100	150	200	250	300	350	400
<b>Thickness (mm)</b>	1	1	1	1	1	1	1
<b>Length (mt)</b>	20	20	20	20	20	20	20

**FIRE BARRIER APPLICATION**

Expansion joint profiles are not fire rated by themselves. Hence, if fire resistivity is inquired in the project, profiles must be applied in conjunction. Proper fire barrier shall be selected by considering the demanded features such as; width of joint, fire resistance period inquired, movement ability needed and some other factors as per project's specifications.

Asternik offers rope, mattress and blanket types barriers which are fire rated from 2 to 4 hours and can be applied from 10 to 560 mm widths. All fire barriers are tested and certificated. To protect the barriers against water and moisture risk, it is highly recommended to apply waterproof EPDM membrane above the barriers. For a smoke-proof application, fire barrier shall be covered by a smoke barrier.



**ROPE TYPE FIRE BARRIER**

Rope type fire barrier can be applied from 10 to 300 mm gap. The product is produced from highly dense rock wool, wrapped around glass fiber strands to achieve better fire resistance. They are flexible enough to enable easy installation in less accessible parts of constructions.



**MATTRESS TYPE FIRE BARRIER**

Mattress type fire barrier can be applied from 40 to 450 mm gap. It can supply +%50 expansion movement during seismic activity.

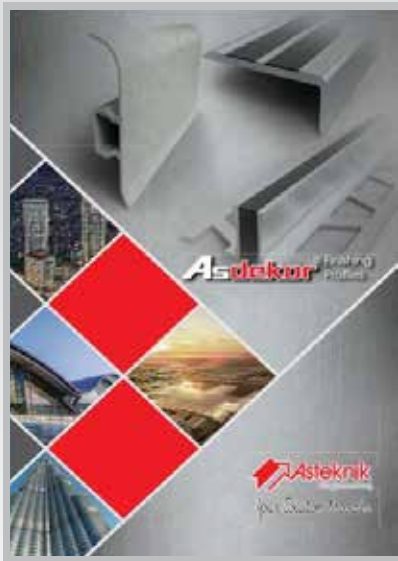
Product Code	Joint Width(mm)
M-100-EI 120	100
M-150-EI 120	150
M-200-EI 120	200
M-250-EI 120	250
M-300-EI 120	300



**BLANKET TYPE FIRE BARRIER**

Blanket type fire barrier can be applied from 150 to 840 mm gap. It can supply +%50 expansion movement during seismic activity.

Product Code	Joint Width(mm)
N-150-EI 120/180	150
N-200-EI 180	200
N-400-EI 60/120	400
N-560-EI 240	560



### Asdekor® Finishing Profiles

- Tile Trims
- Parquet Edge Profiles
- Transition Profiles
- Movement Control Joints
- Stair Nosing Profiles
- Balcony Edge Profiles
- Skirtings
- Decorative Border Profiles
- Led Lighting Profiles
- Internal/External Corner Profiles



### Asband® Wall Protection Systems

- Wall Guards
- Handrails
- Corner Guards
- Car Parking Corner Guards
- Car Parking Wall Guards
- Aluminum and Stainless Steel Corner Guards



### Asmat® Entrance Matting Systems

- Indoor Mats
- Outdoor Mats
- Logo Mats
- Heavy Duty Mats



## NOTES

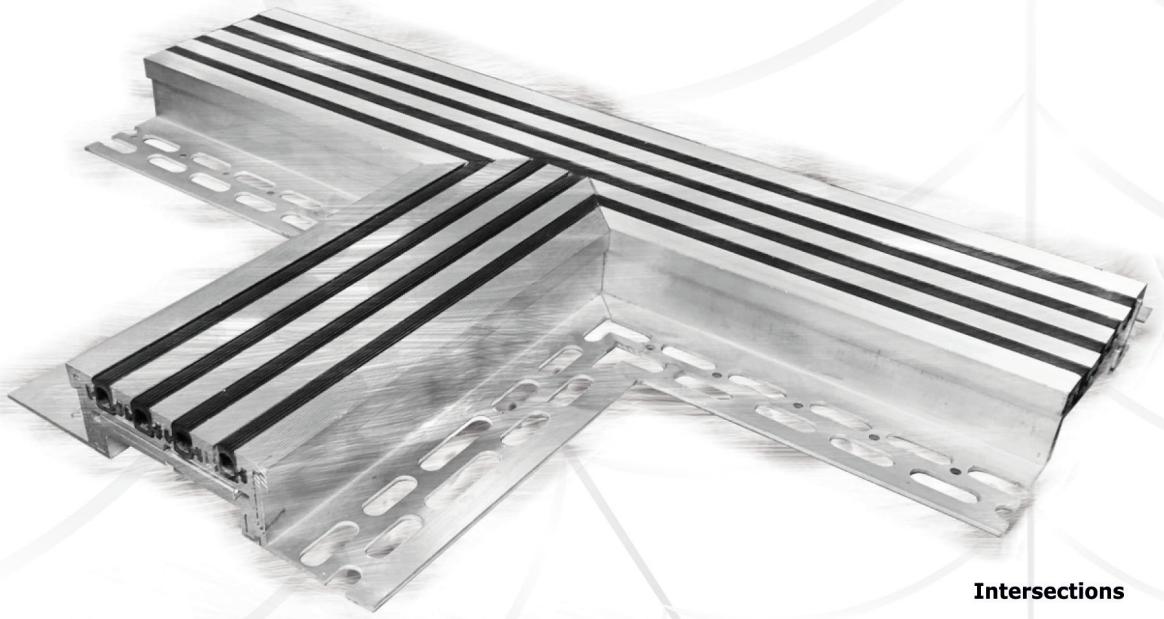




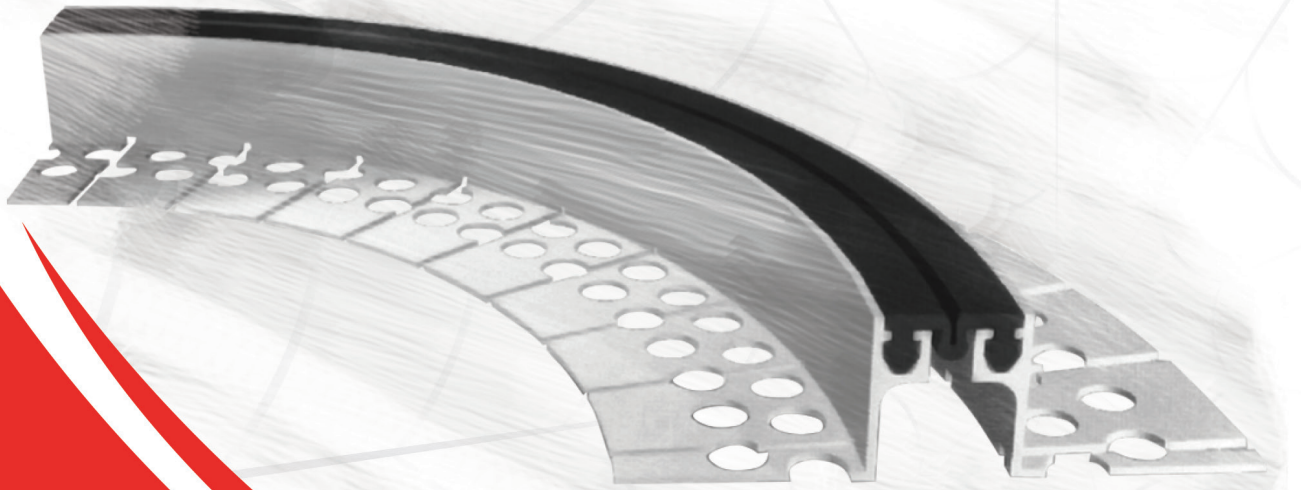


**AS A239 MODEL SEISMIC FLOOR PROFILE APPLIED AT 500 MM. JOINT WIDTH**





**Intersections**



**Curved Profiles**



**Asteknik Mühendislik A.Ş.**

**Head Quarters**

Istanbul

Tel : +90 216 466 72 63

Fax : +90 216 466 72 64

info@asprodesign.com

[www.asprodesign.com](http://www.asprodesign.com)

